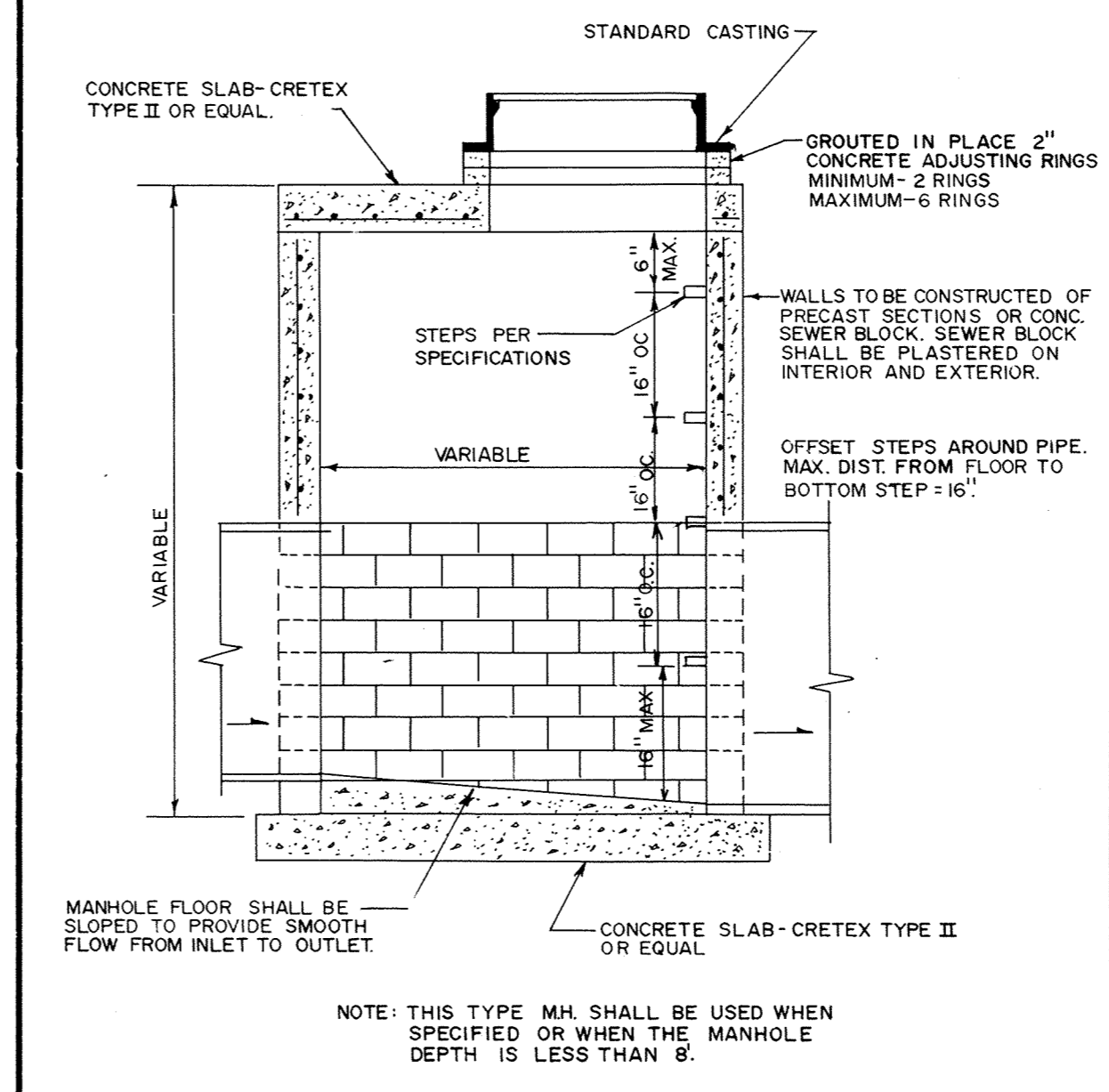
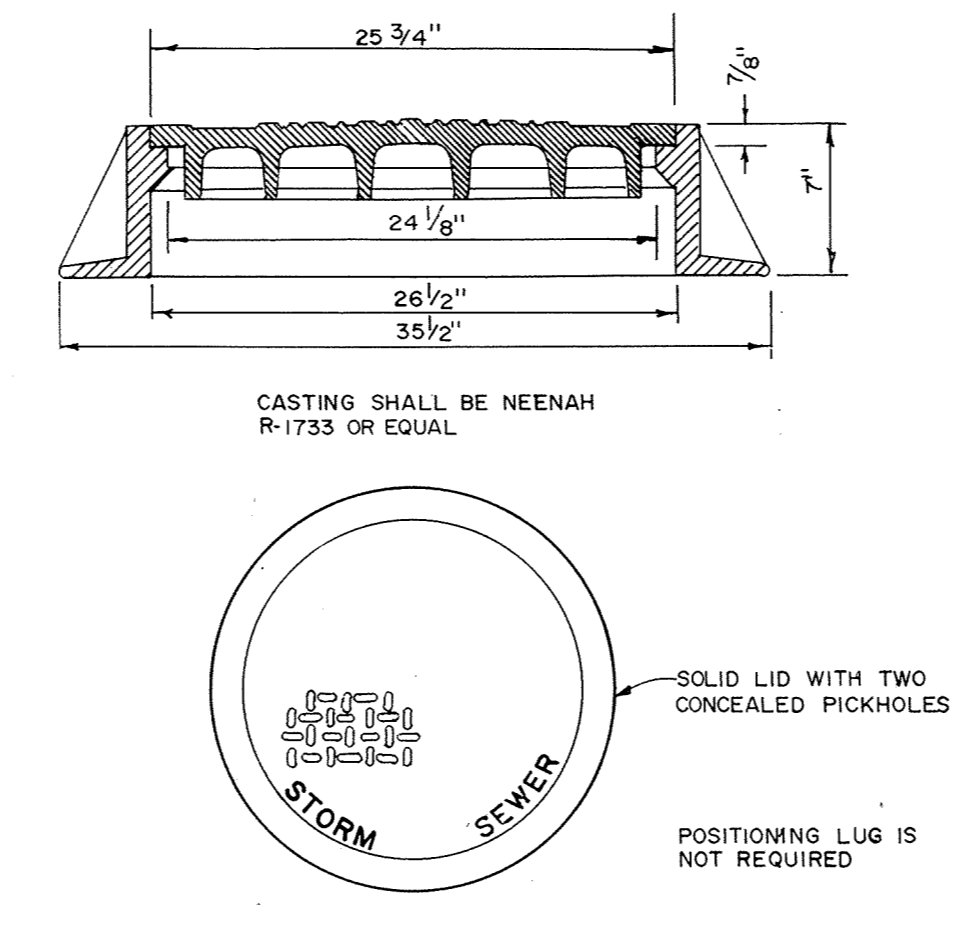


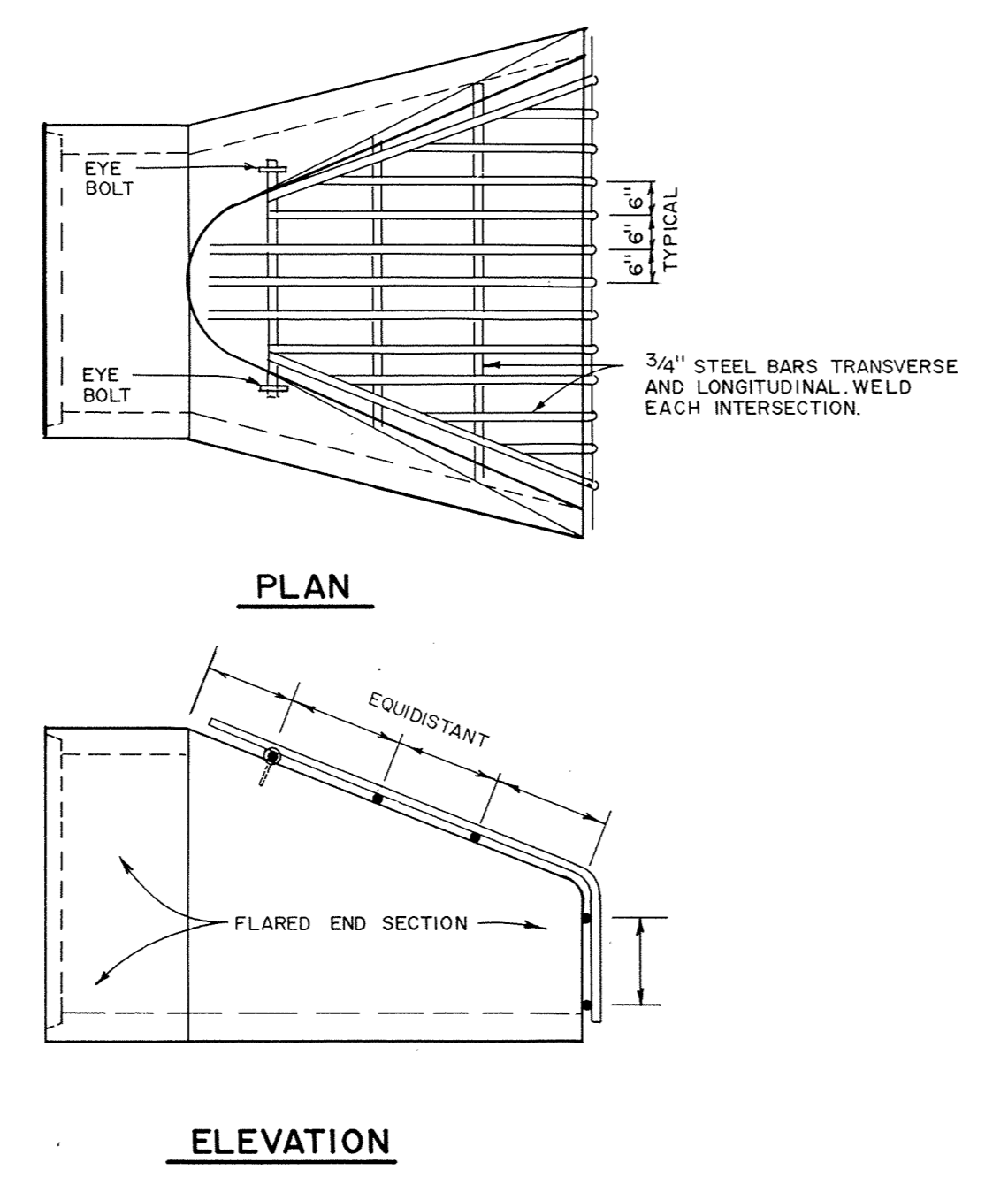
STANDARD MANHOLE



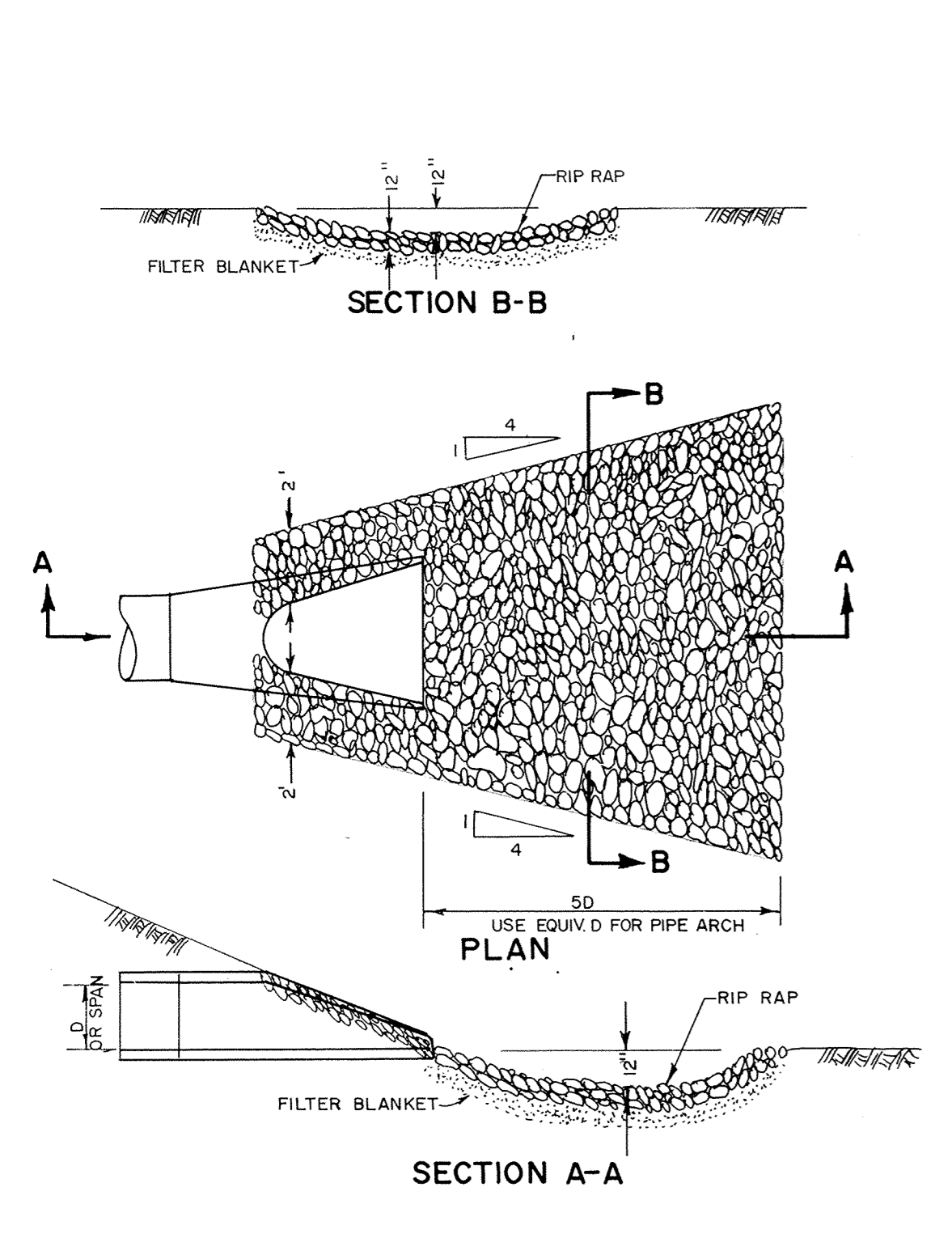
SLAB-TOP MANHOLE



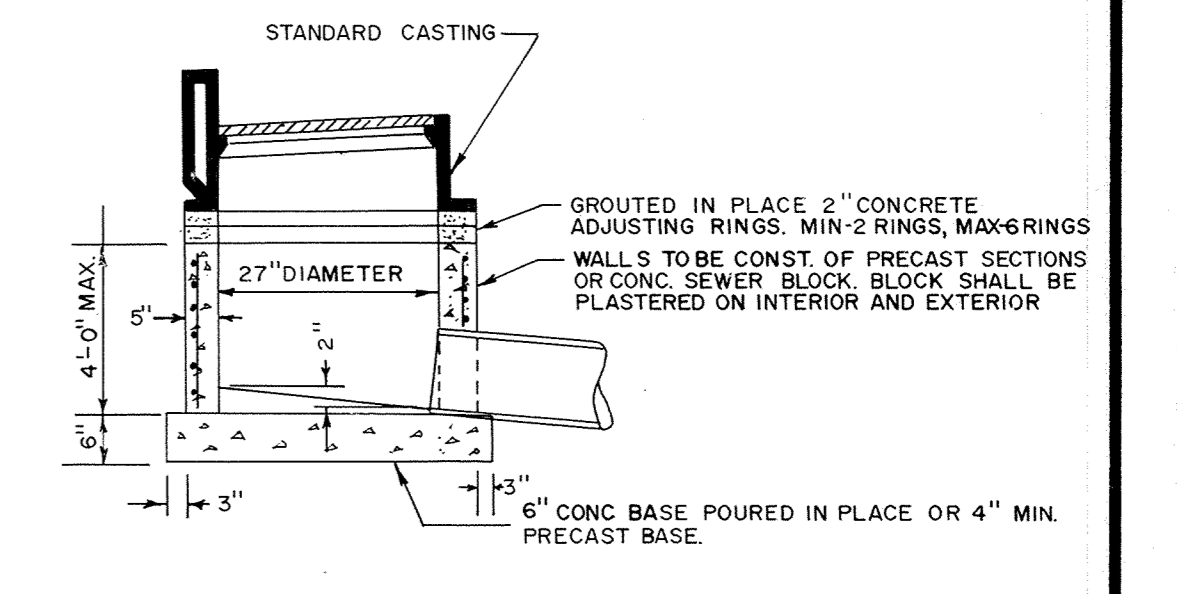
STANDARD MANHOLE CASTING



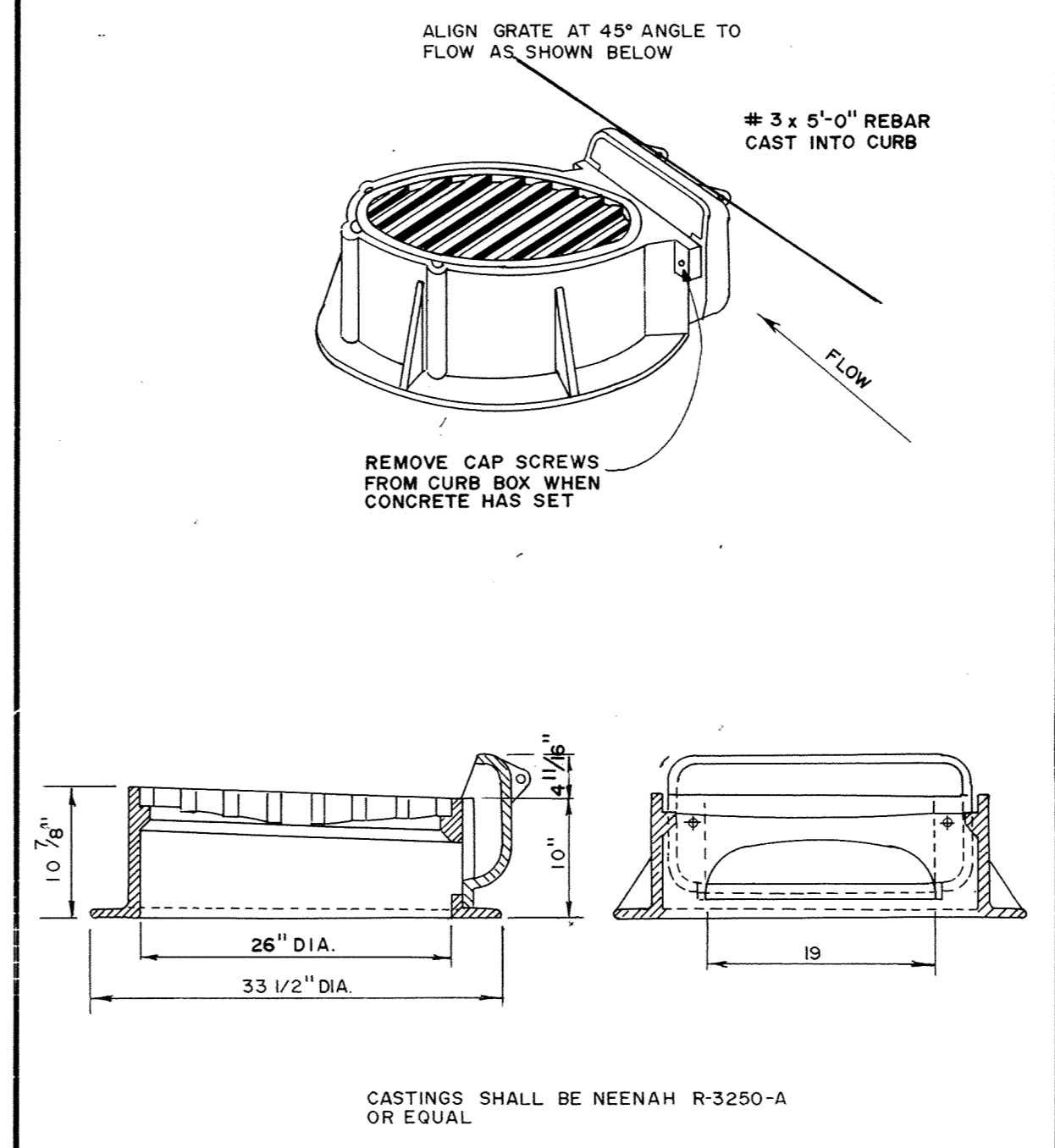
TRASH GUARD



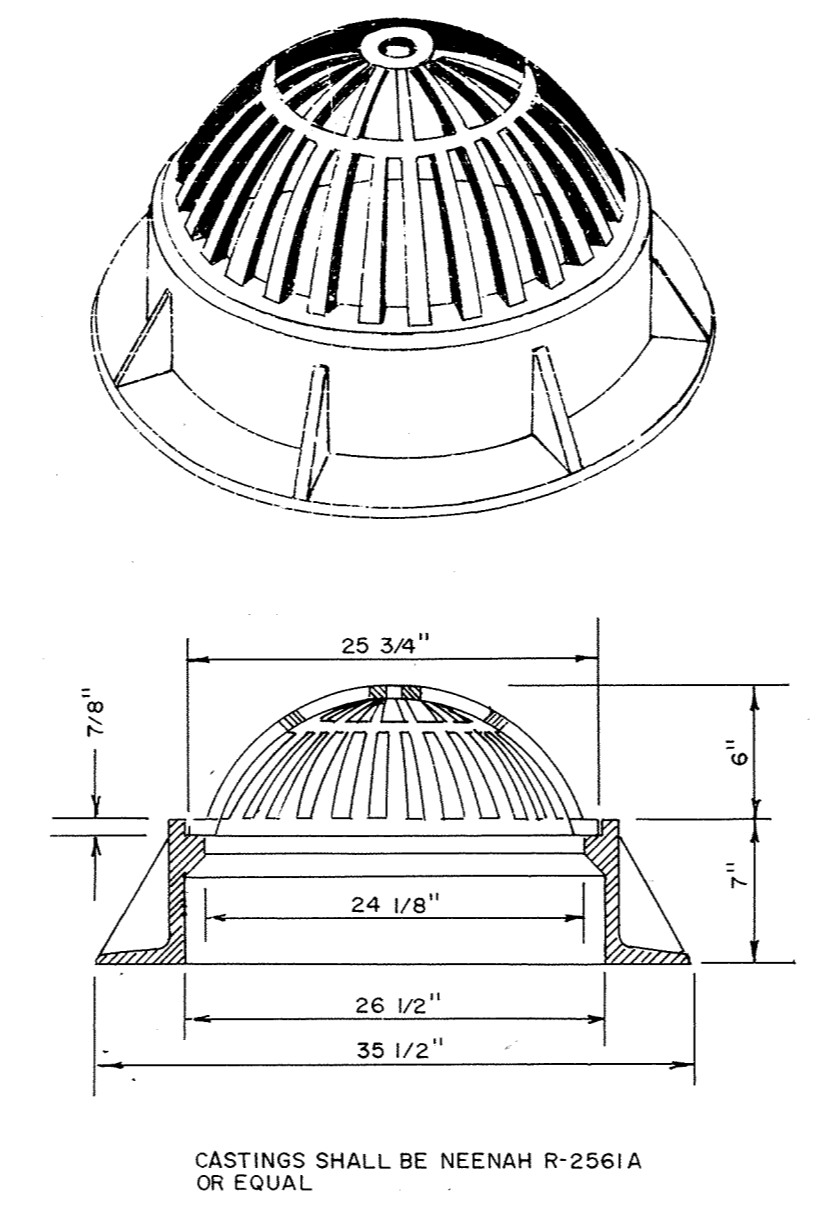
RIP-RAP INSTALLATION



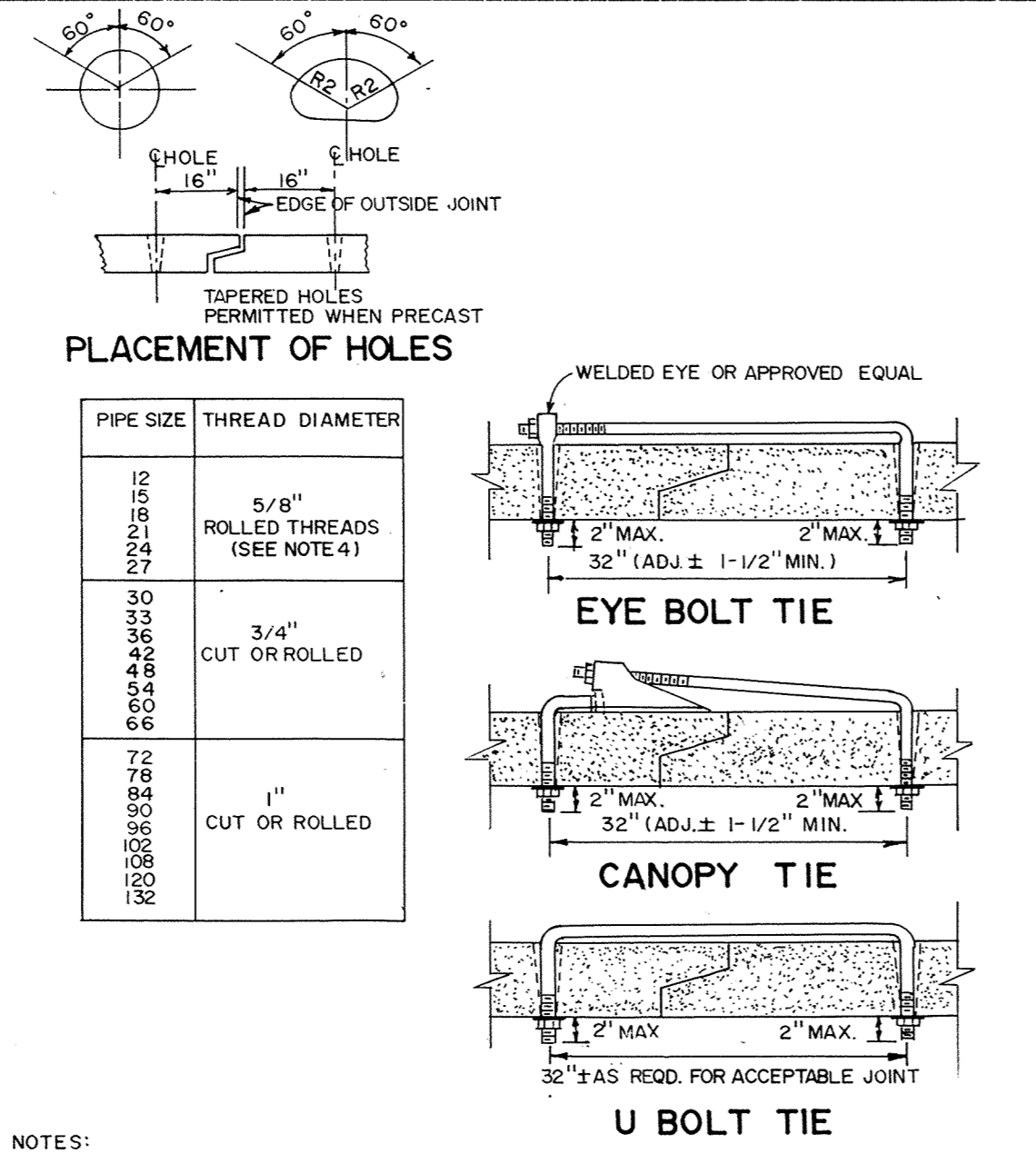
SHALLOW CATCH BASIN



STANDARD INLET CASTING



BEEHIVE CASTING



CONCRETE PIPE JOINT TIES

DATE	DESCRIPTION	DESIGNED
		CHECKED
		DRAWN
		GRAPHIC SCALE
		0 HORIZ.
		0 VERT.

Maier Stewart & Associates Inc.
CONSULTING ENGINEERS
1959 SLOAN PLACE (612) 774-6021 ST. PAUL, MINNESOTA 55117

CITY OF ELK RIVER
STORM SEWER DETAILS
DATE July 1989 SHEET 15 OF 16 SHEETS PROJECT NO. 230-073

SAHCO PRODUCTS • NEW YORK, MINNESOTA
 REORDER BY PART NUMBER 6532
 PARTIAL LIST OF PARTS OR MATERIALS
 SAHCO PRODUCTS • NEW YORK, MINNESOTA
 REORDER BY PART NUMBER 6532
 PARTIAL LIST OF PARTS OR MATERIALS
 SAHCO PRODUCTS • NEW YORK, MINNESOTA
 REORDER BY PART NUMBER 6532
 PARTIAL LIST OF PARTS OR MATERIALS
 SAHCO PRODUCTS • NEW YORK, MINNESOTA
 REORDER BY PART NUMBER 6532
 PARTIAL LIST OF PARTS OR MATERIALS