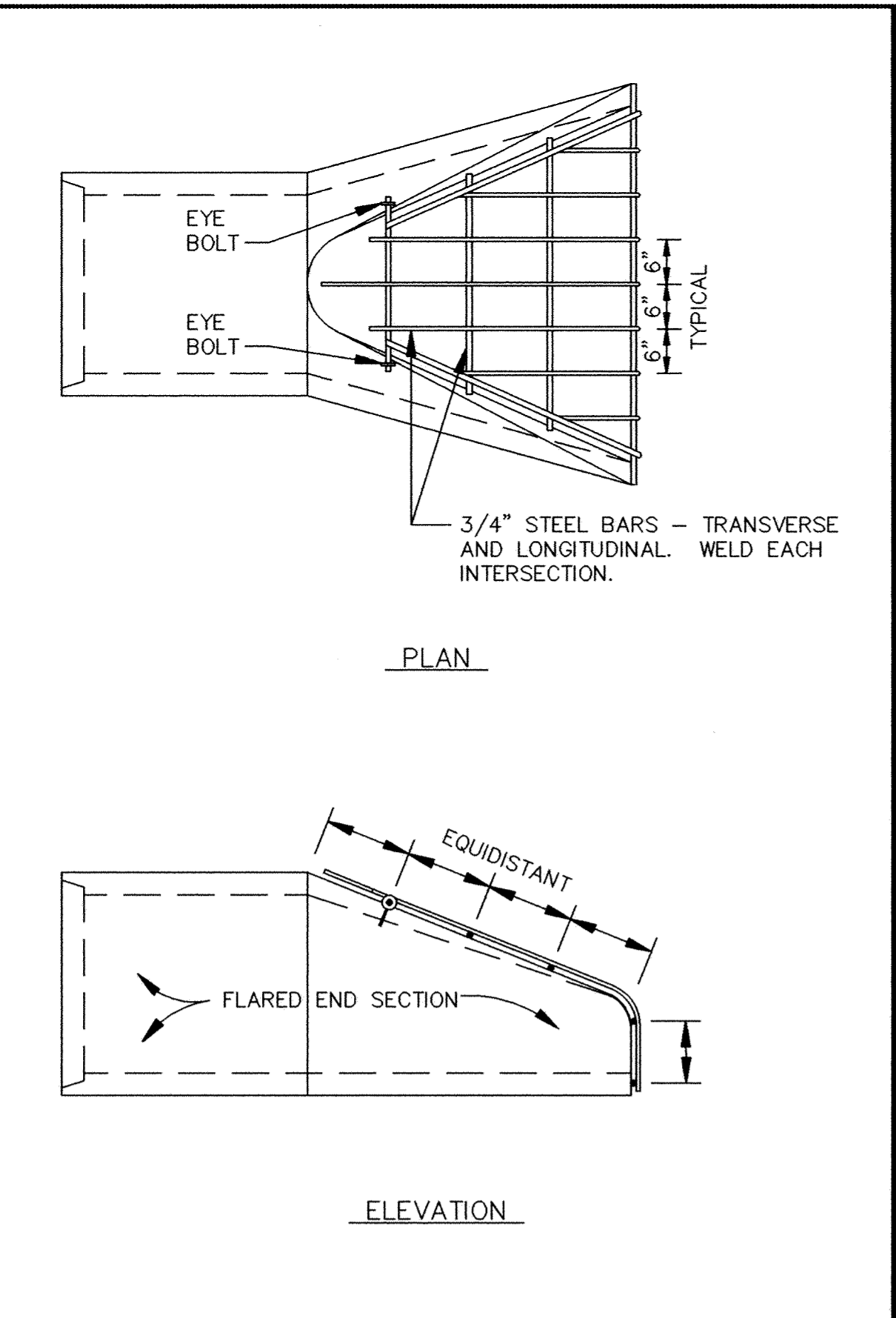
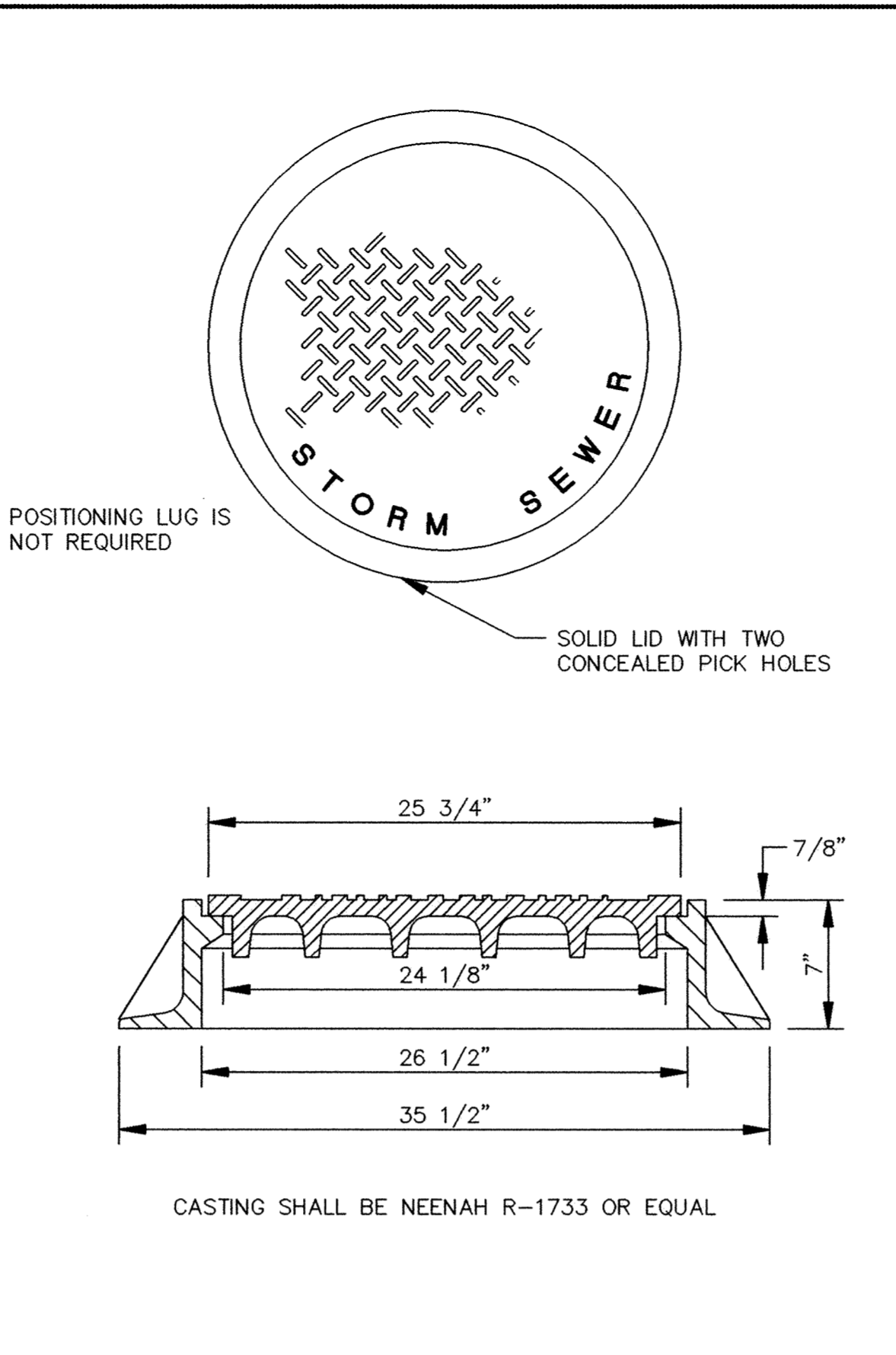


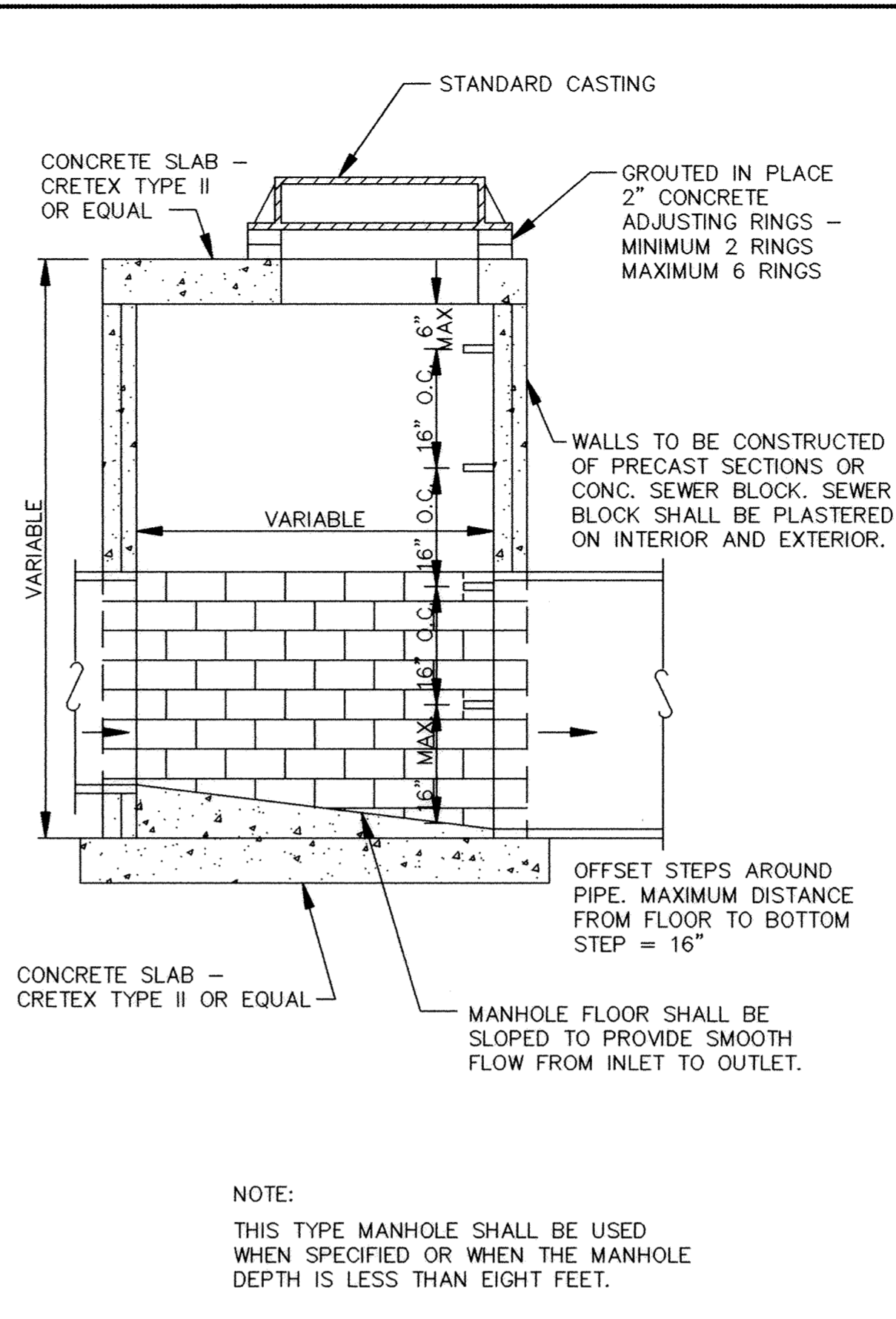
RIP-RAP INSTALLATION



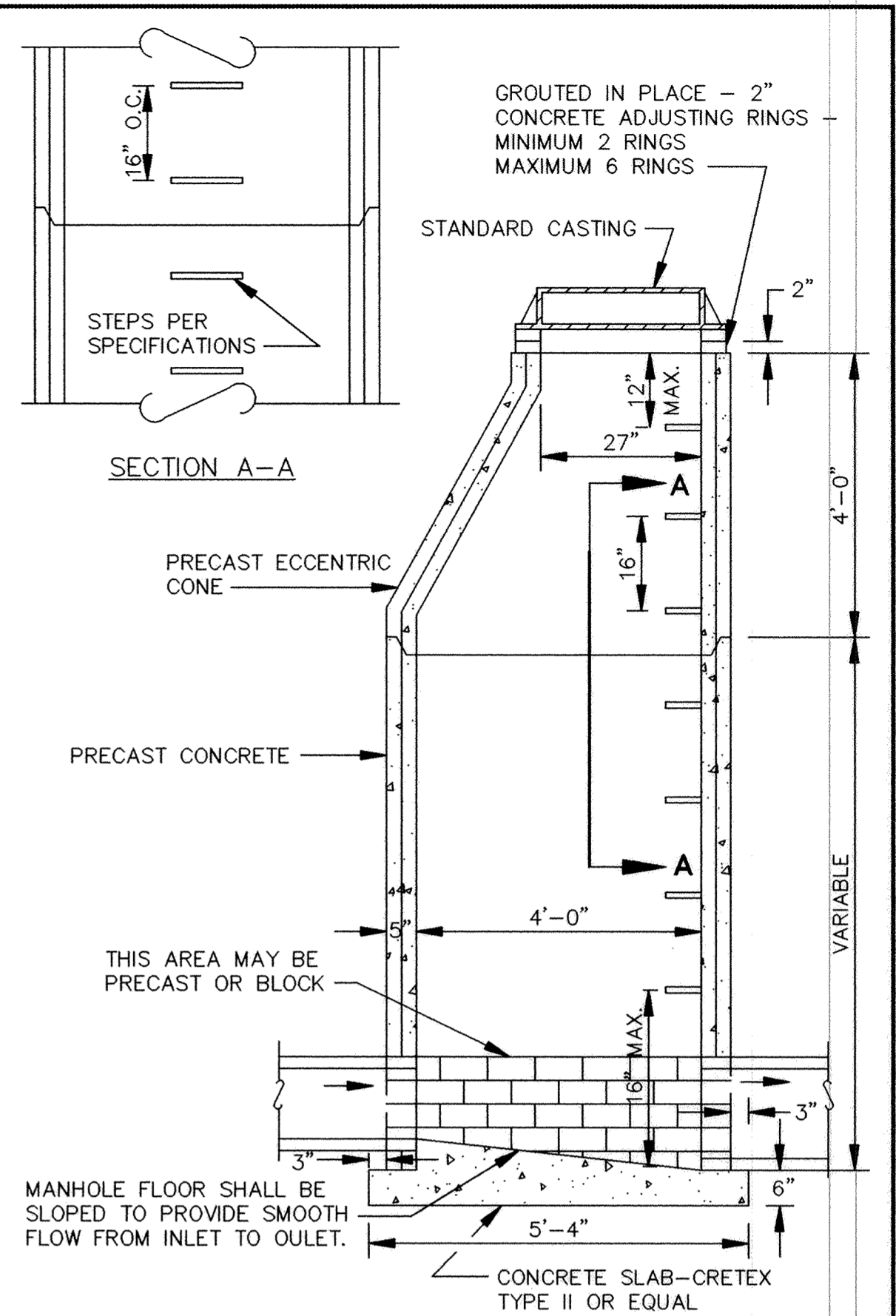
TRASH GUARD



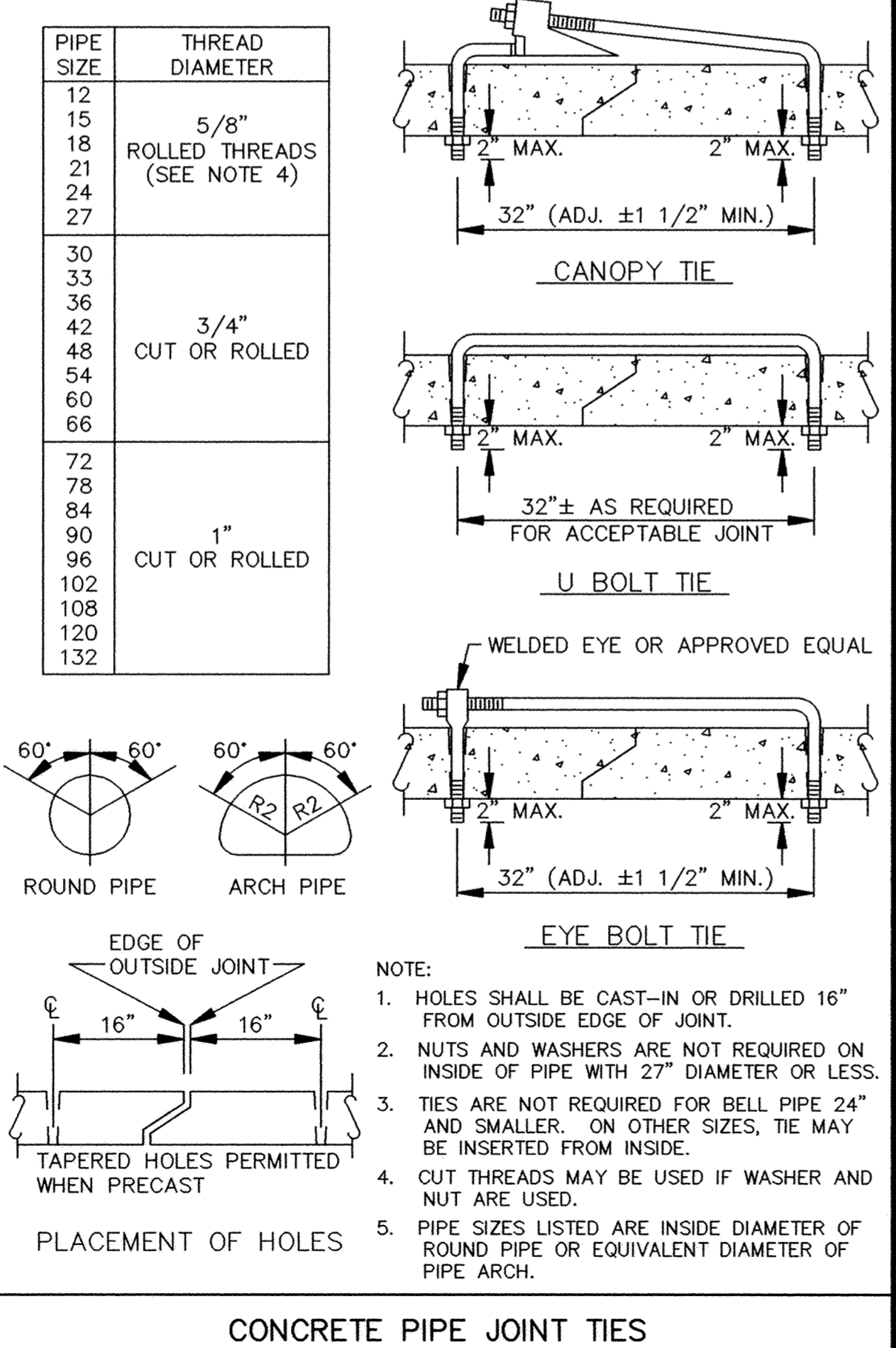
STANDARD MANHOLE CASTING



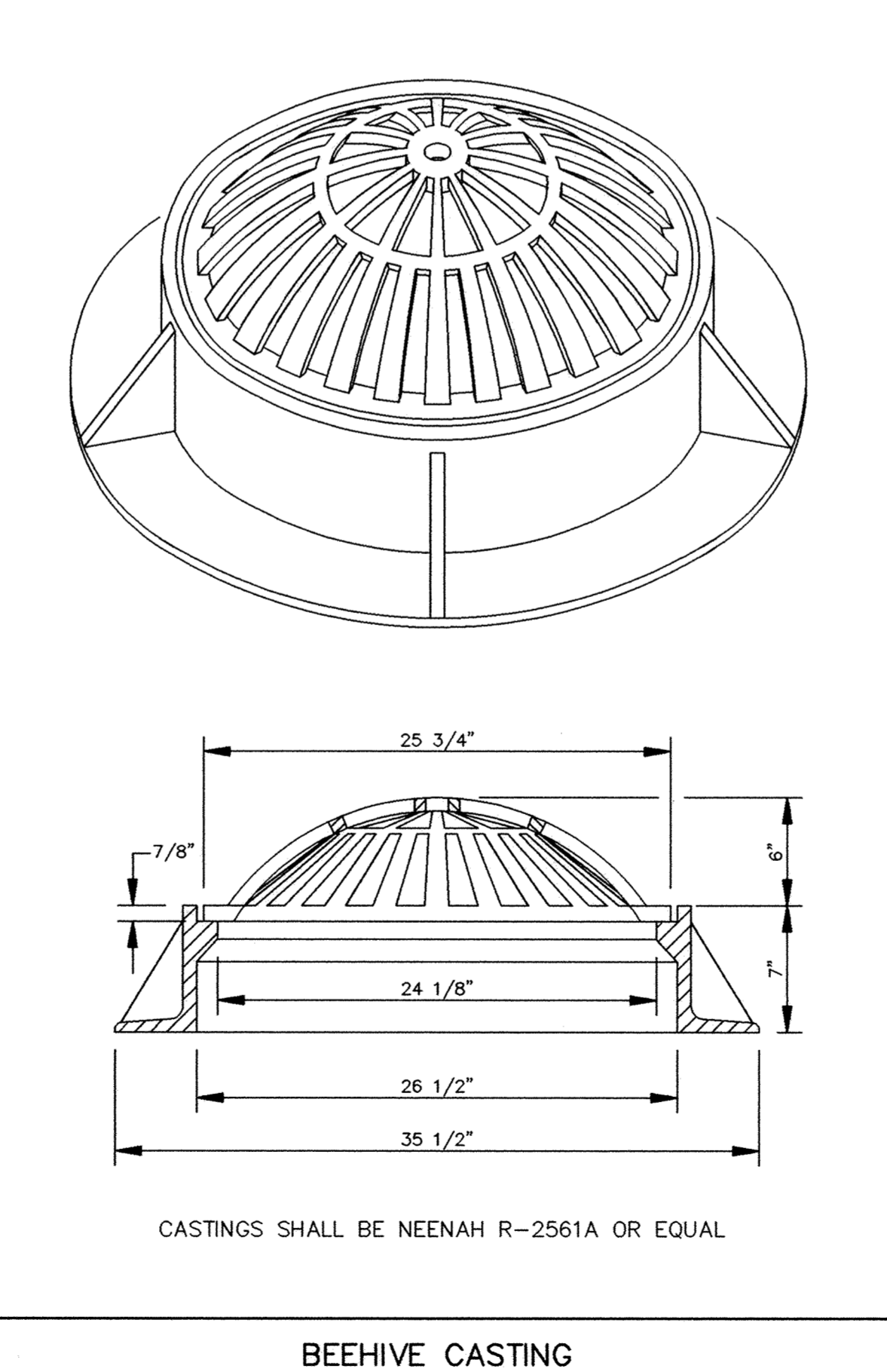
SLAB TOP MANHOLE



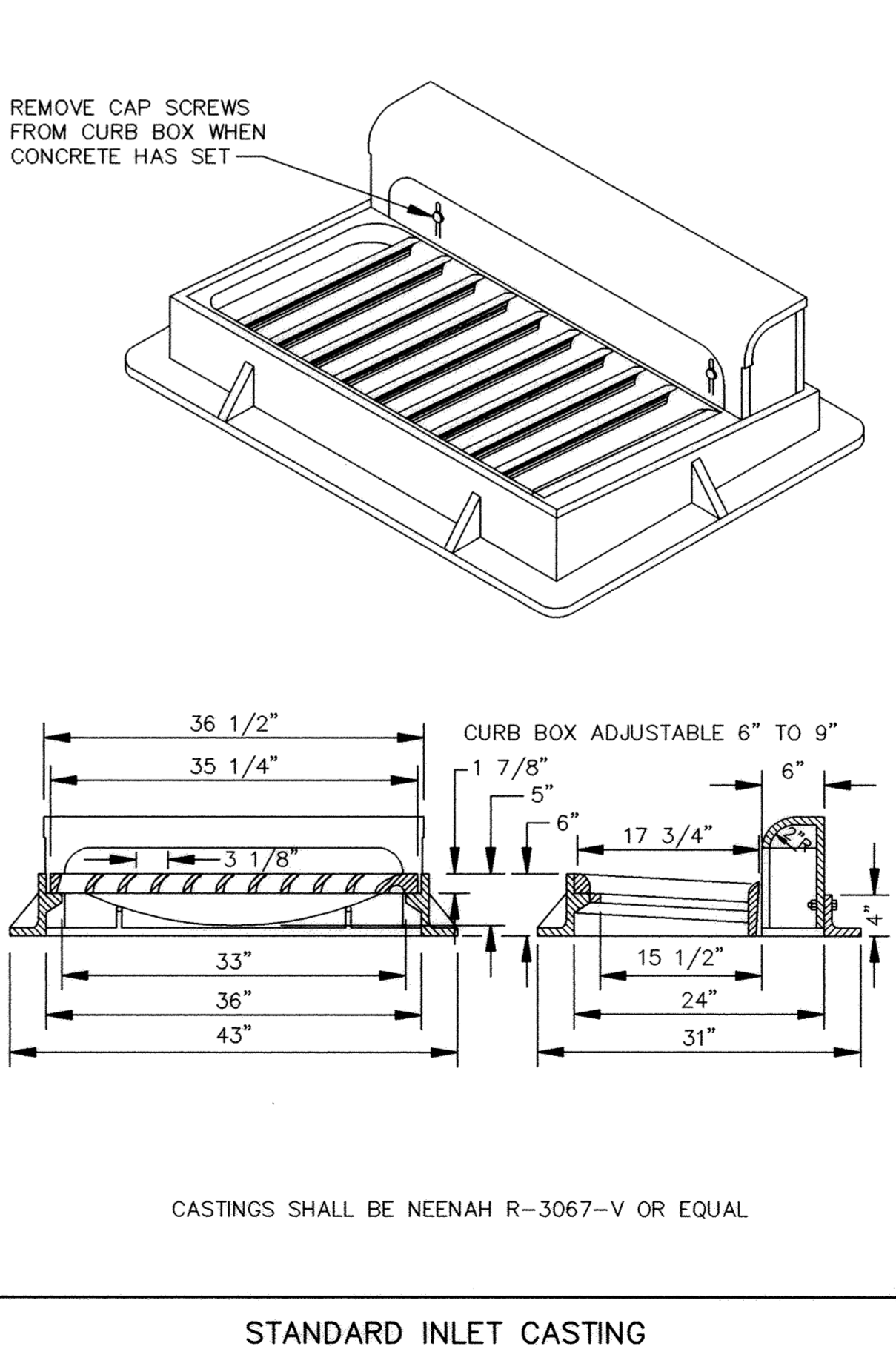
STANDARD MANHOLE



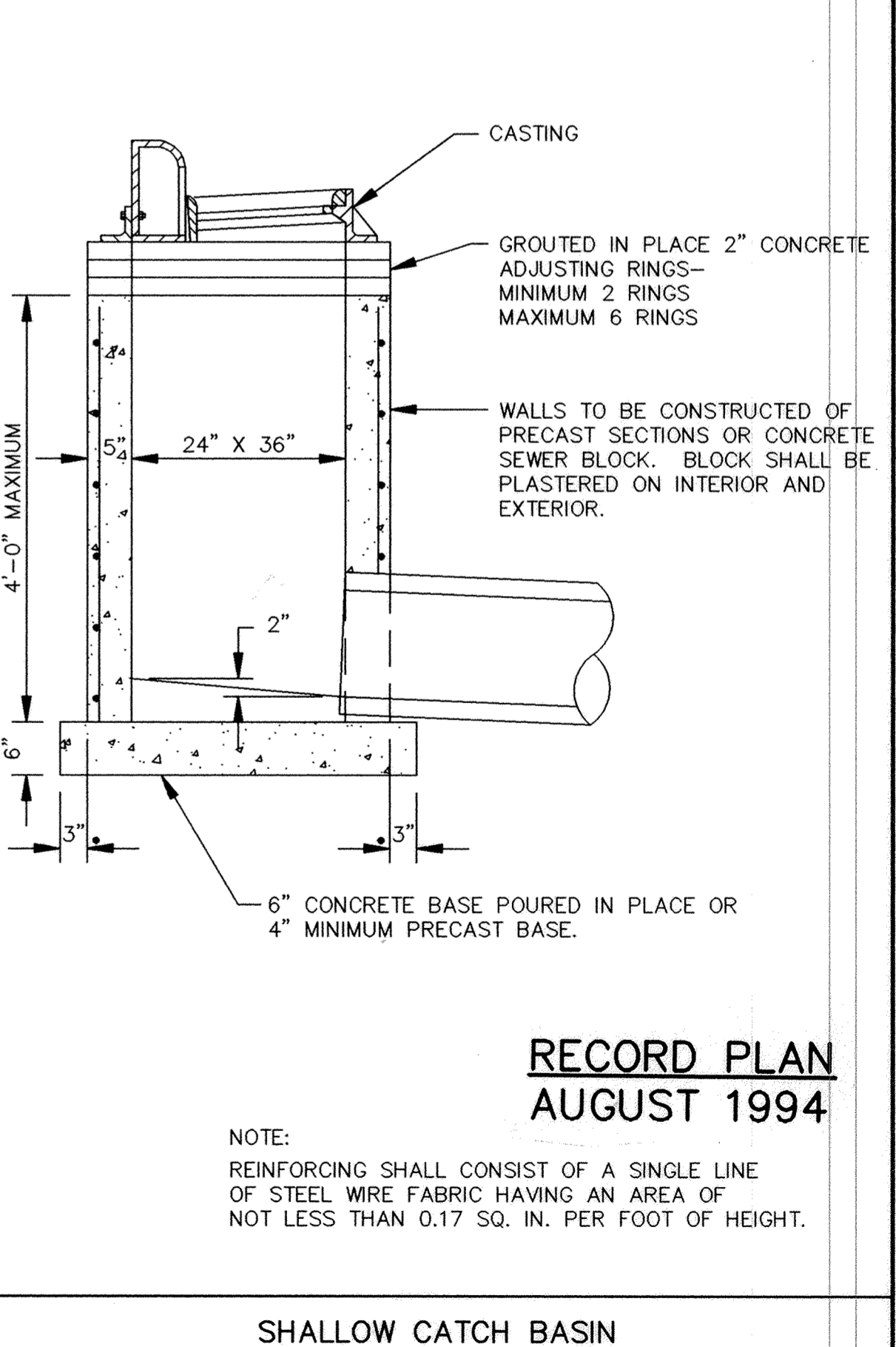
CONCRETE PIPE JOINT TIES



BEEHIVE CASTING



STANDARD INLET CASTING



SHALLOW CATCH BASIN

ER195-D2

I HEREBY CERTIFY THAT THIS PLAN, SPECIFICATION, OR REPORT WAS PREPARED BY ME OR UNDER MY DIRECT SUPERVISION AND THAT I AM A DULY REGISTERED PROFESSIONAL ENGINEER UNDER THE LAWS OF THE STATE OF MINNESOTA.

John J. Maier
DATE 10/8/93 REG. NO. 15316

MSA CONSULTING ENGINEERS
Maier Stewart & Associates Inc.

1326 ENERGY PARK DRIVE (612) 644-4389 ST. PAUL, MINNESOTA 55108
9800 SHELARD PARKWAY (612) 546-0432 MINNEAPOLIS, MINNESOTA 55441

DATE	DESCRIPTION	DESIGNED	DEN
		BAI	
		CLS	

GRAPHIC SCALE
0 HORIZ.
0 VERT.

CITY OF ELK RIVER
STORMWATER SYSTEM IMPROVEMENTS
STORM SEWER DETAILS

RECORD PLAN
AUGUST 1994

NOTE:
REINFORCING SHALL CONSIST OF A SINGLE LINE OF STEEL WIRE FABRIC HAVING AN AREA OF NOT LESS THAN 0.17 SQ. IN. PER FOOT OF HEIGHT.

DATE OCT. 1993 SHEET 7 OF 7 SHEETS PROJECT NO. 230-195

DRAWING NUMBER DEERF394 7

SAFCO PRODUCTS • NASHUA, MINNESOTA
REPRODUCED BY PART NUMBER 8532