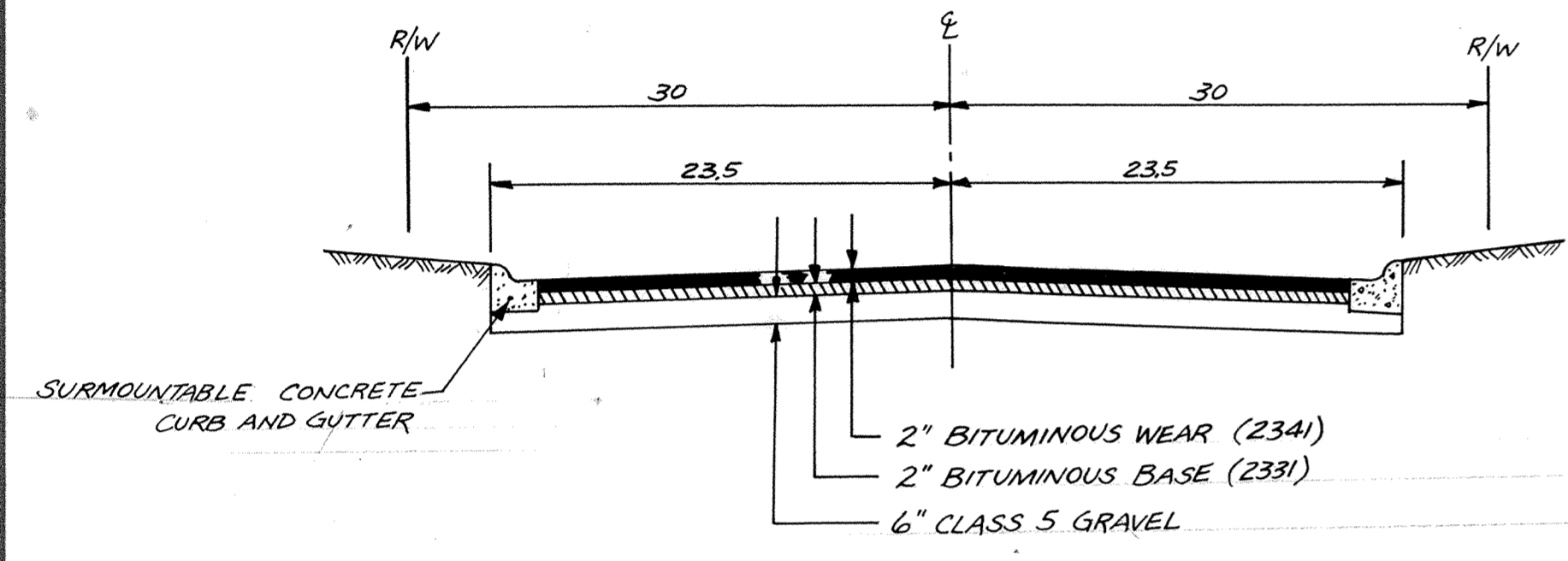
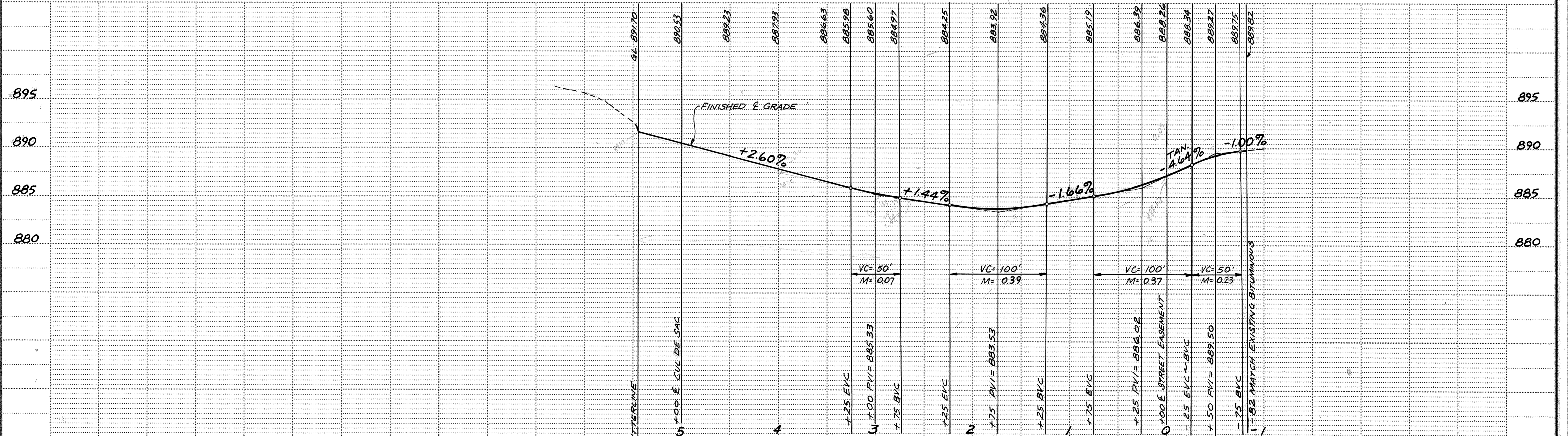
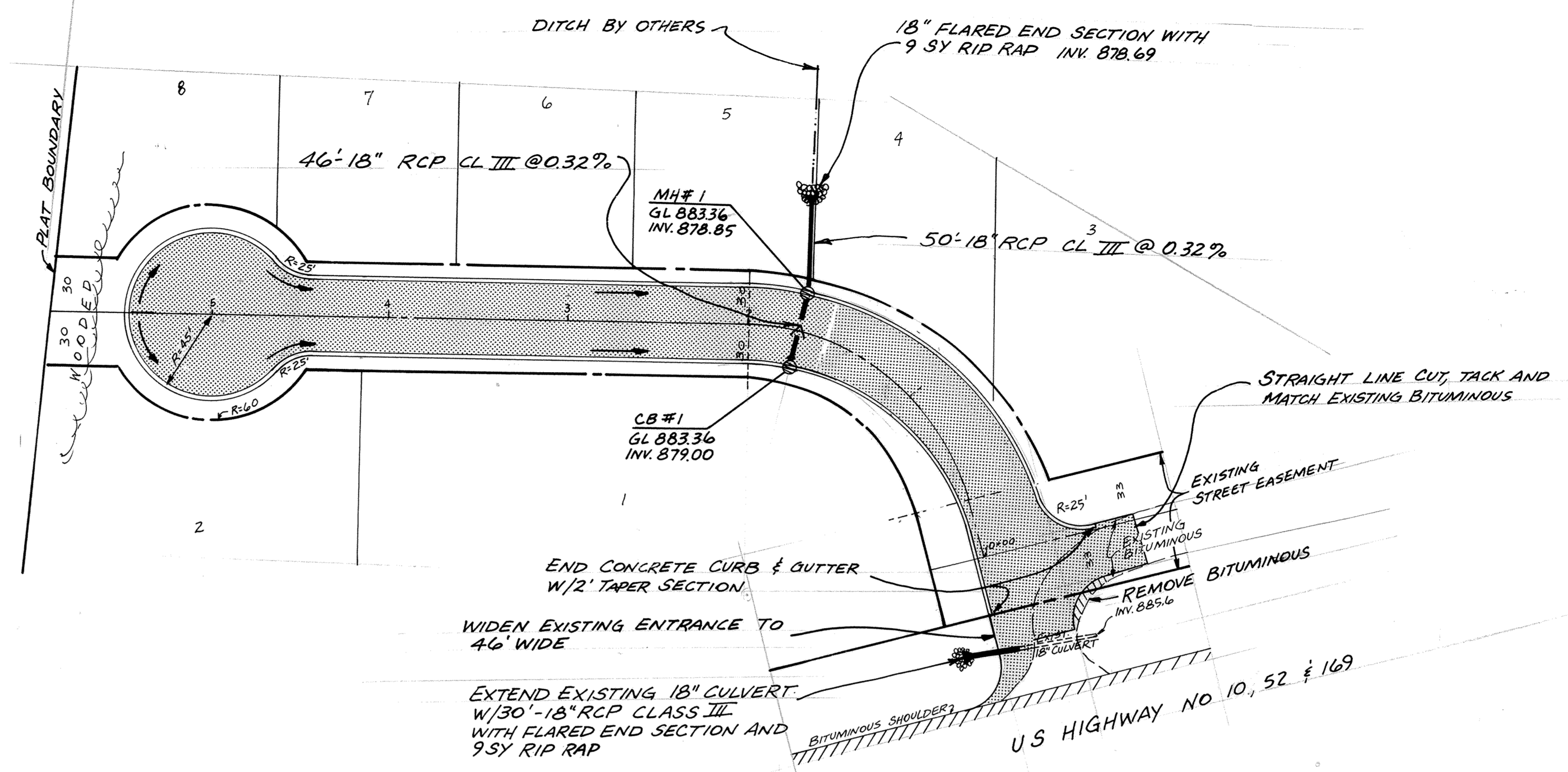


**SURMOUNTABLE CONCRETE CURB & GUTTER**



**TYPICAL SECTION**



	CONSULTING ENGINEERS <b>Maier Stewart &amp; Associates Inc.</b> 1959 SLOAN PLACE (612)774-6021 ST. PAUL, MINNESOTA 55117	DATE: _____ DESCRIPTION: _____ DESIGNED: _____ CHECKED: _____ DRAWN: MRJ GRAPHIC SCALE 0 HORIZ. 50 0 VERT. 5	CITY OF ELK RIVER THE CROSSROADS STREET AND STORM SEWER DATE FEB 1988 SHEET 2 OF 3 SHEETS PROJECT NO. 230-0511
	REVISIONS: _____ _____ _____	295	CROSS 88