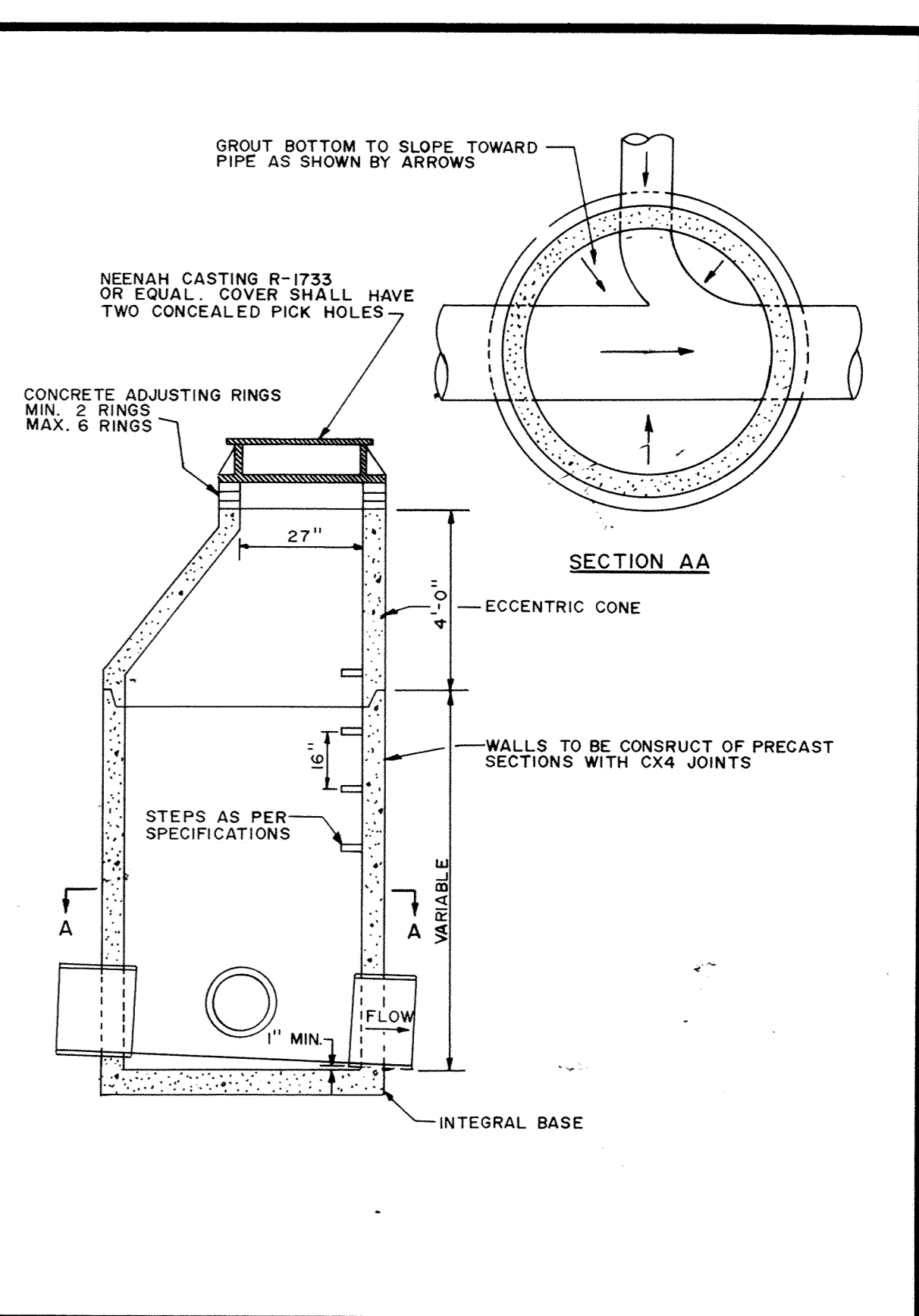
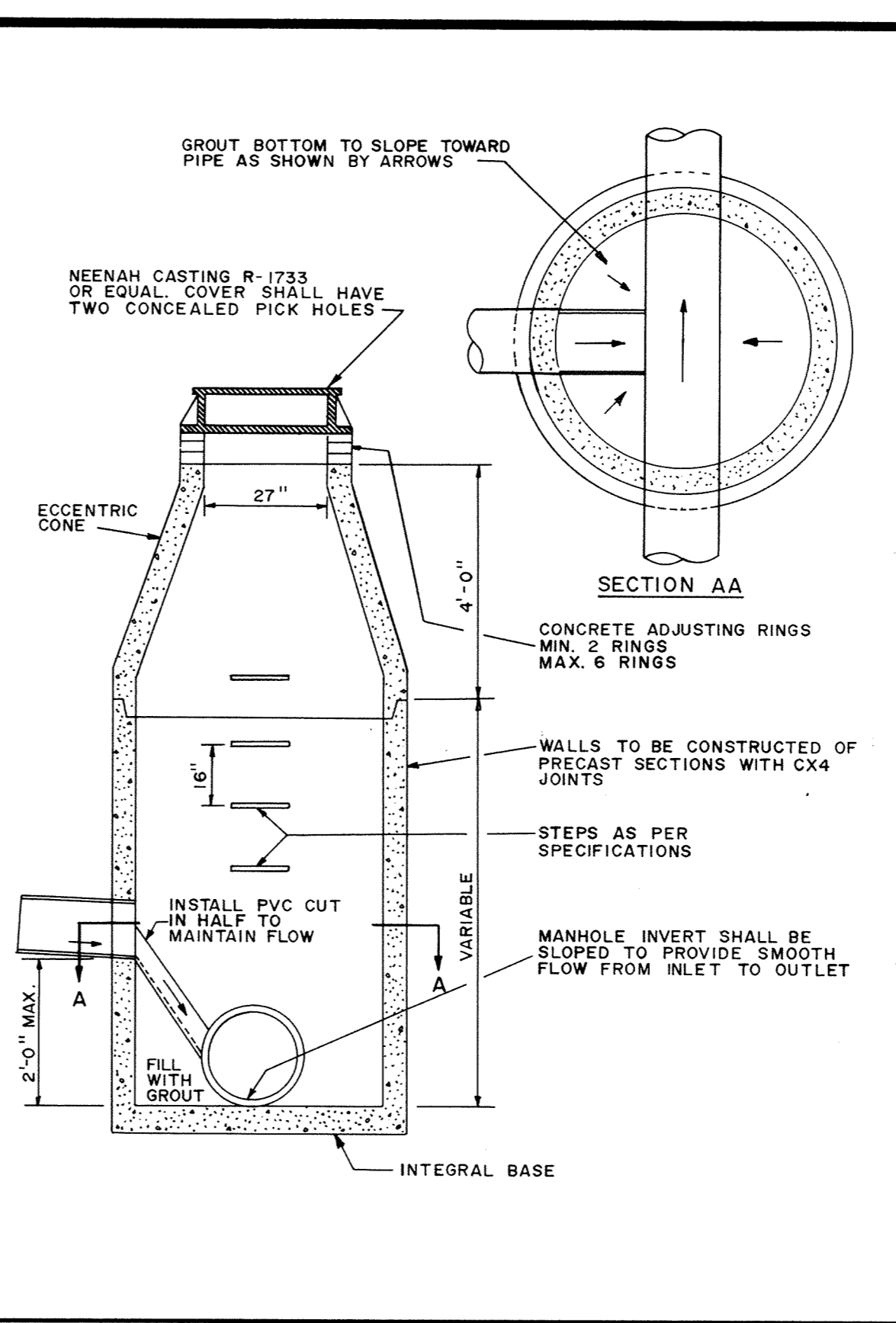


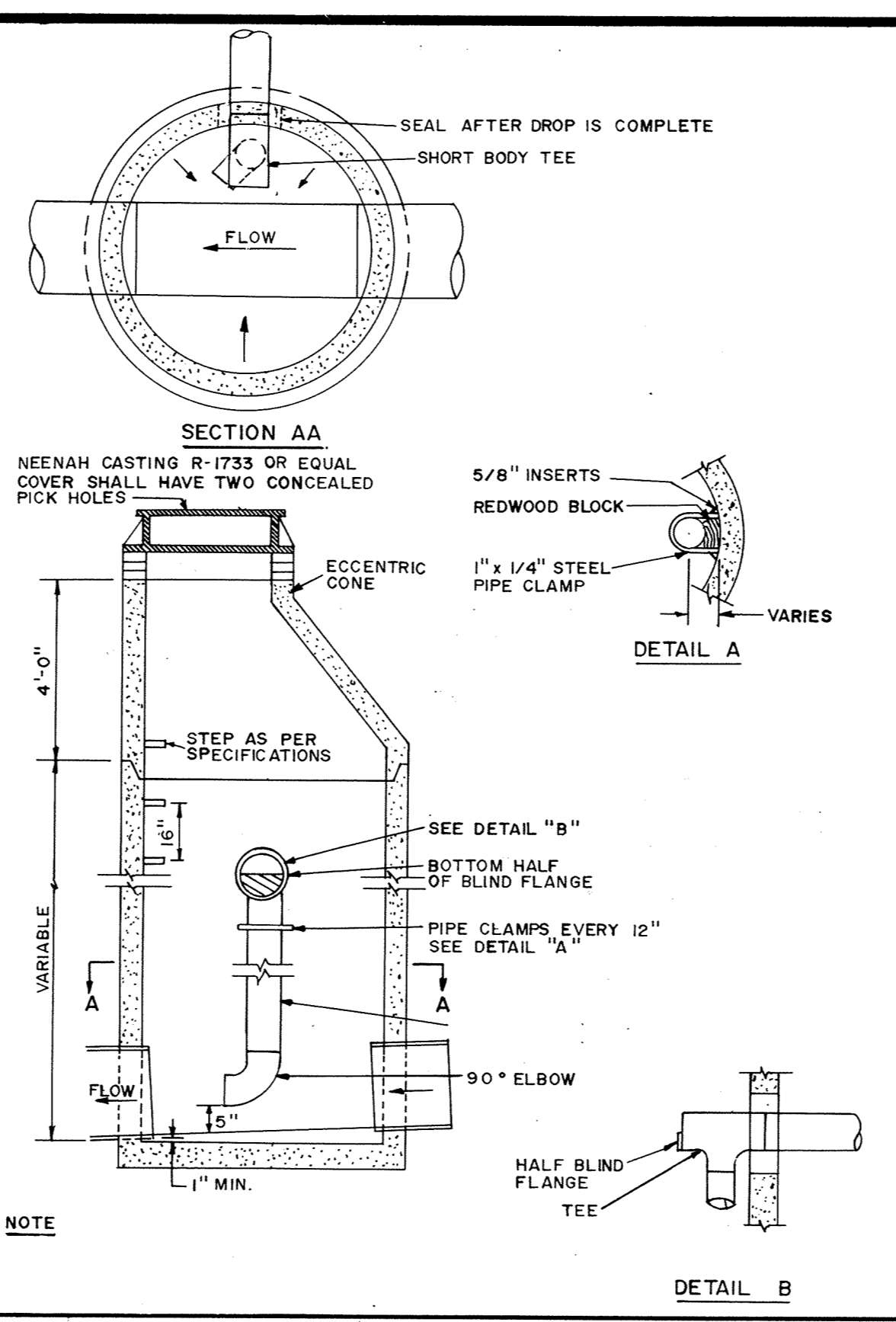
SAFCO PRODUCTS • NEW HOPE, MINNESOTA
REVISIONS BY PART NUMBER 0502
MINNESOTA BLUEPRINT



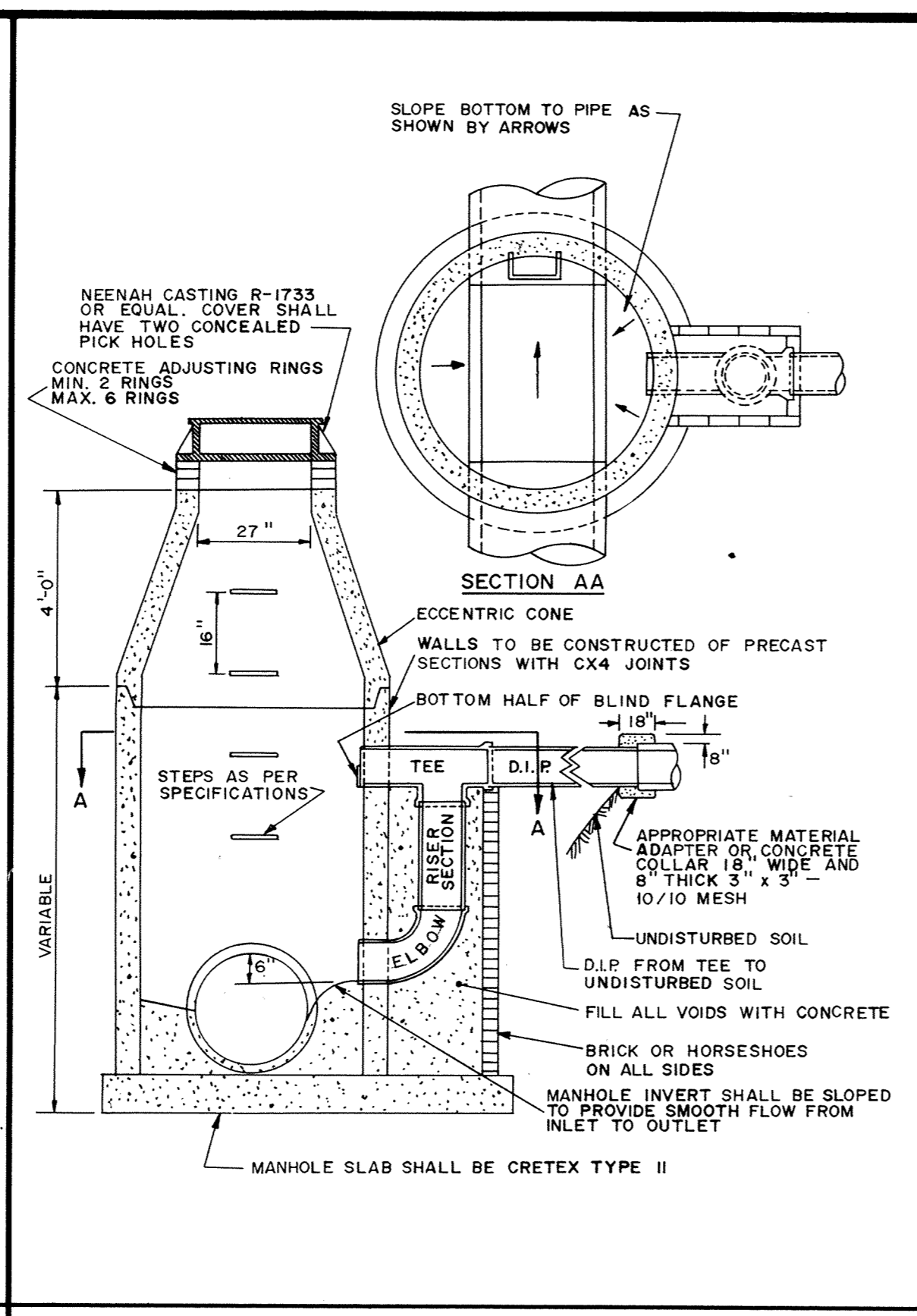
STANDARD MANHOLE



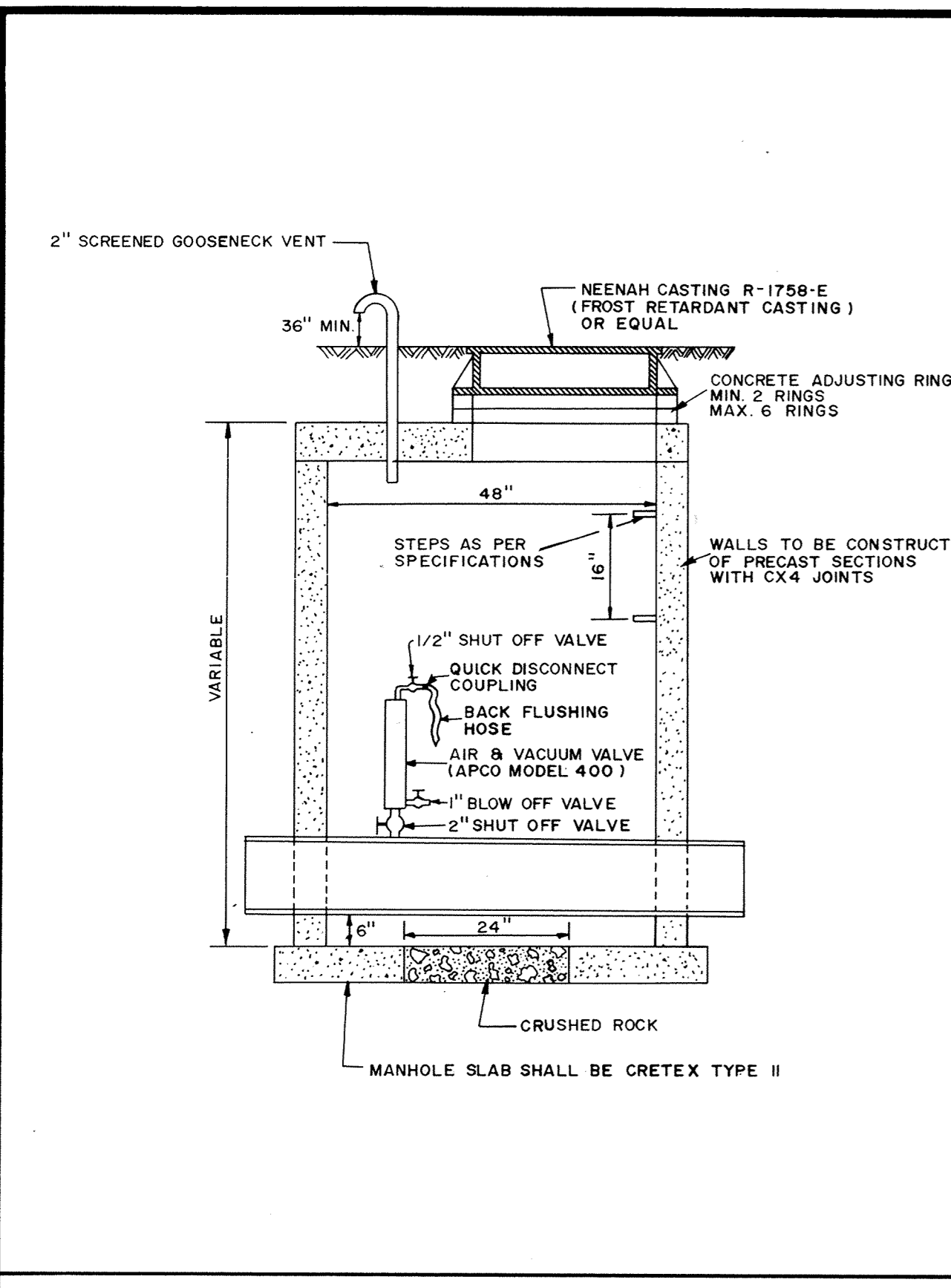
INSIDE DROP MANHOLE (2 FEET OR LESS)



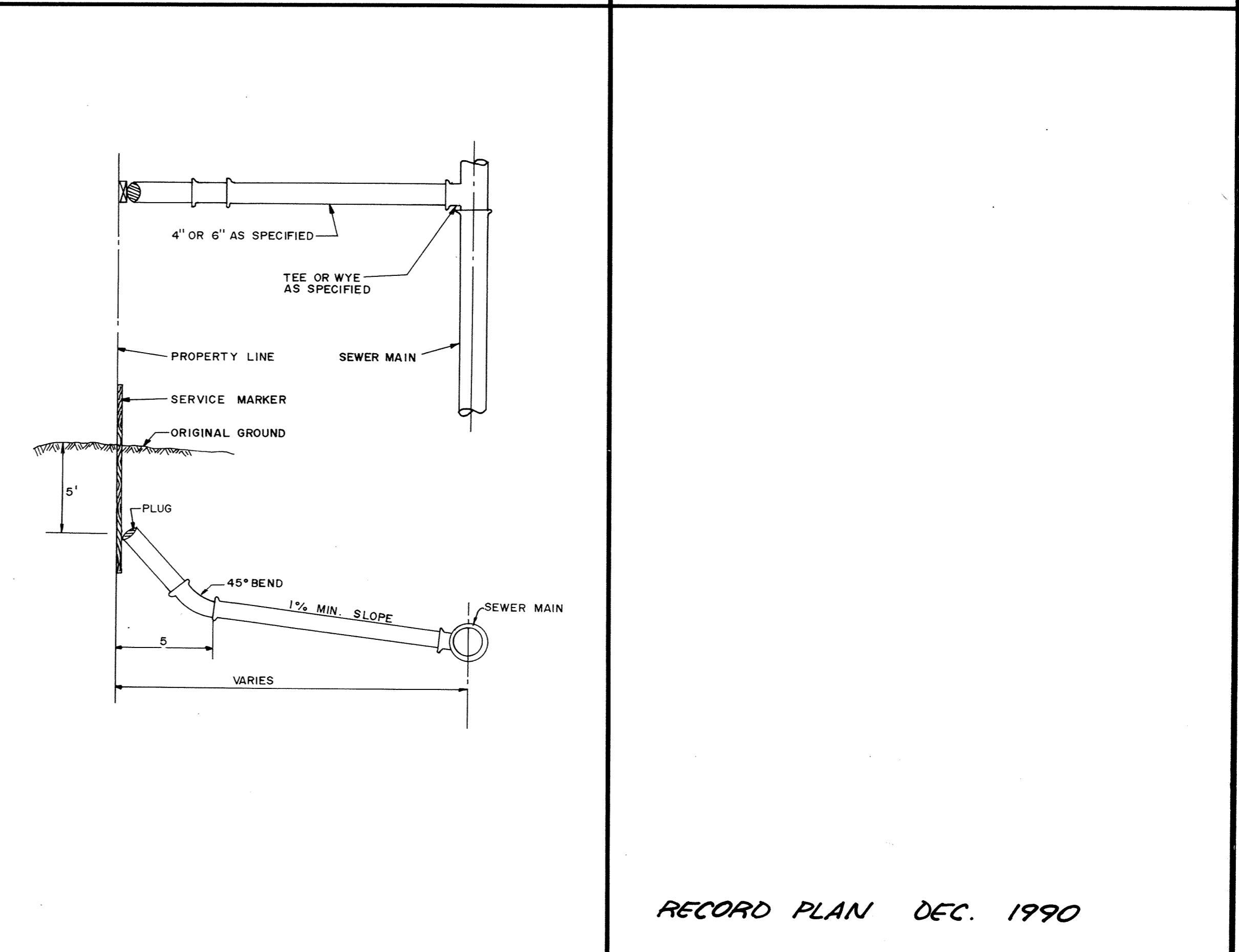
INSIDE DROP MANHOLE



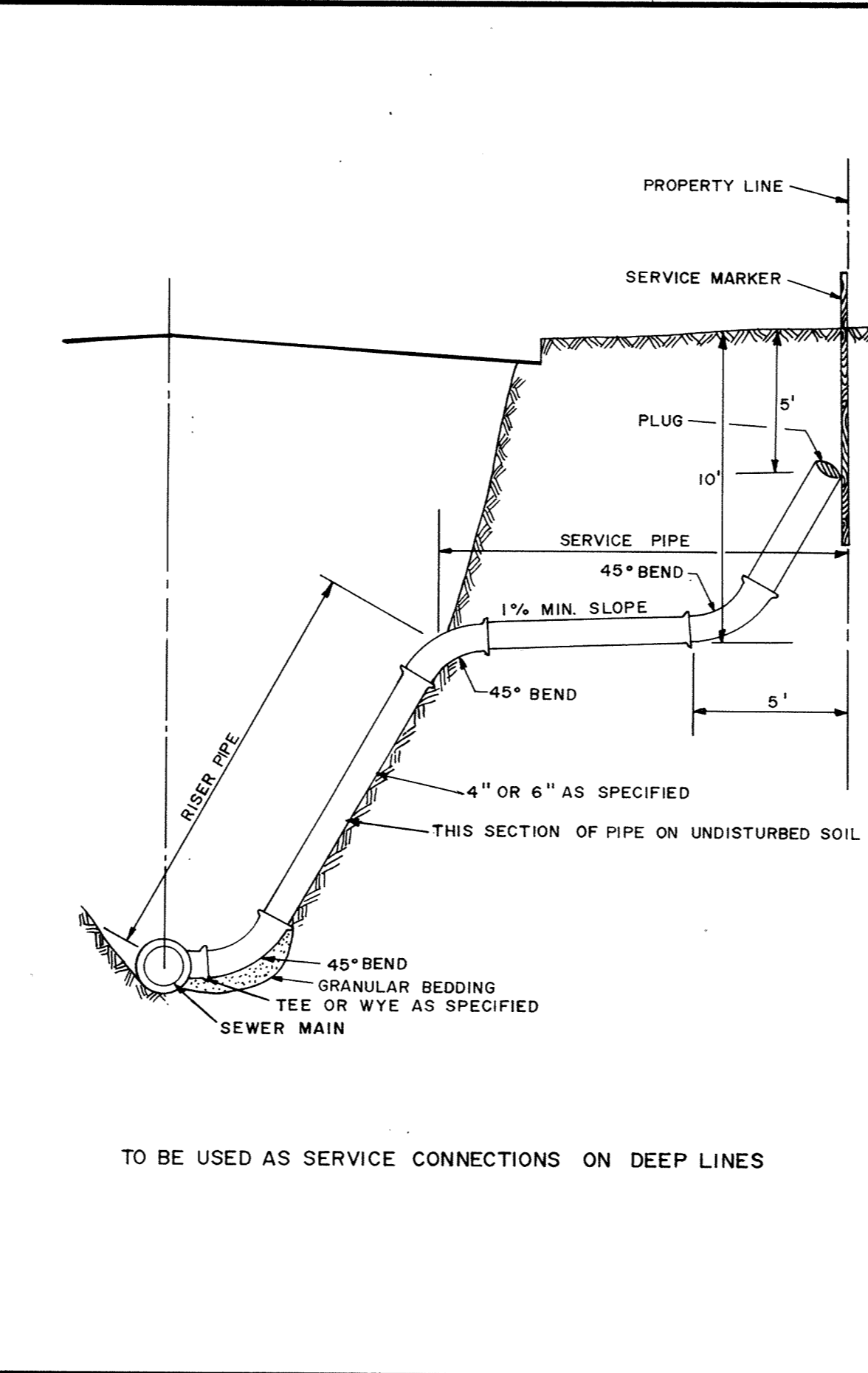
OUTSIDE DROP MANHOLE



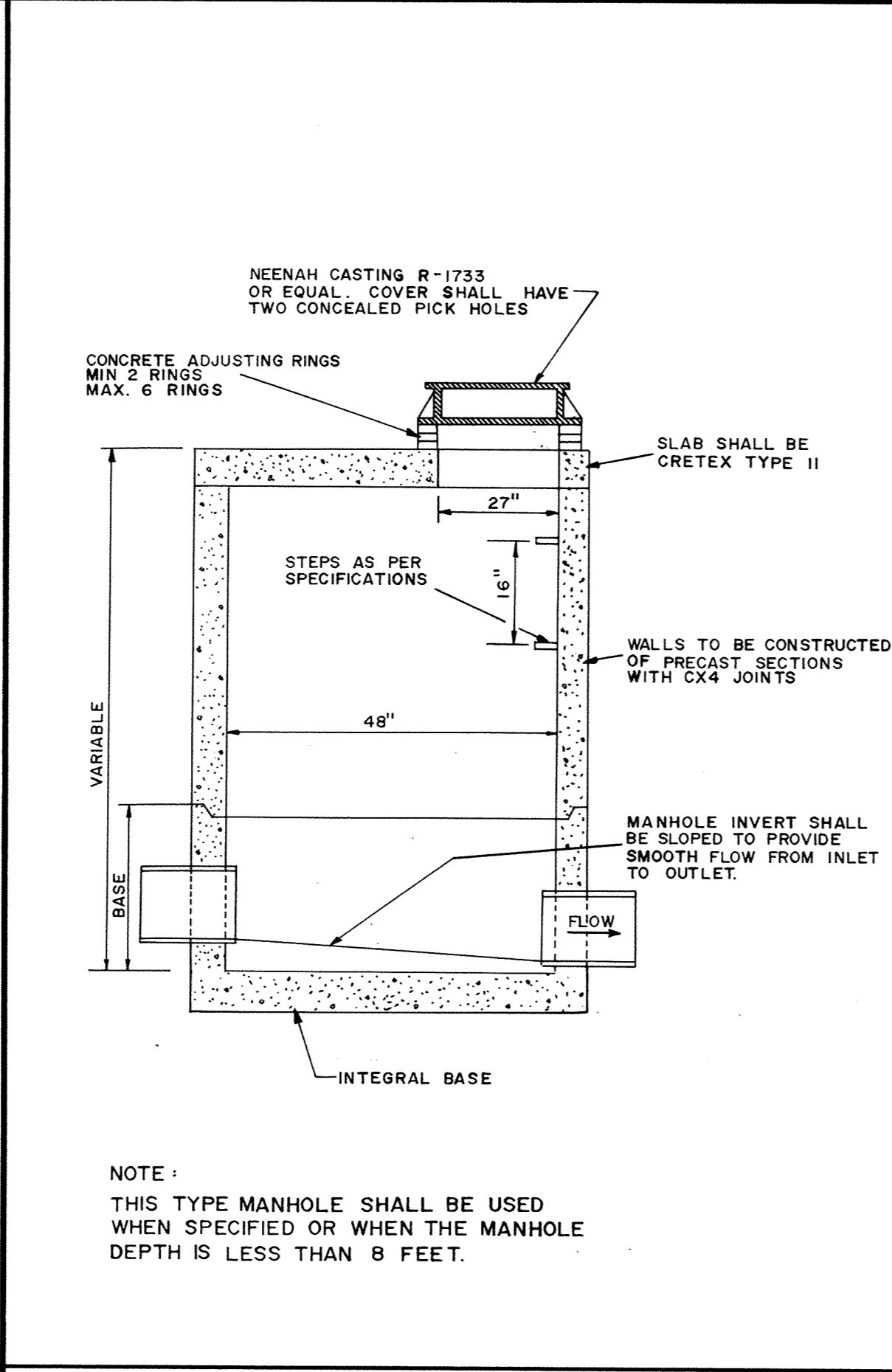
STANDARD AIR RELIEF MANHOLE



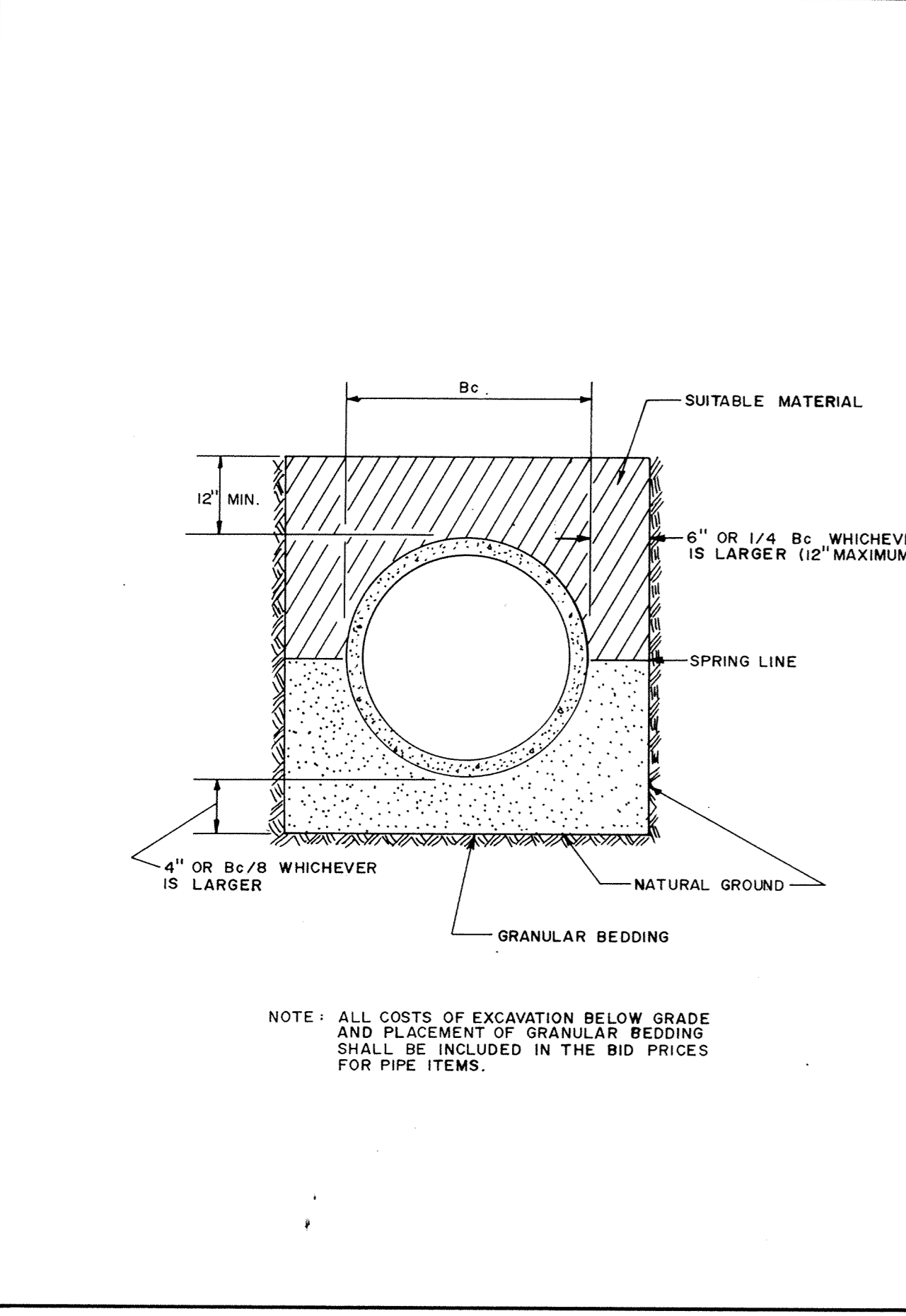
TYPICAL HOUSE SERVICE



SERVICE RISER SECTION



SLAB TOP MANHOLE



CLASS B PIPE BEDDING

RECORD PLAN DEC. 1990

		CONSULTING ENGINEERS Maier Stewart & Associates Inc.		DESIGNED _____ CHECKED _____ DRAWN <u>MRJ</u> GRAPHIC SCALE 0' HORIZ. NONE 0' VERT.	
1959 SLOAN PLACE (612) 774 6021 ST. PAUL, MINNESOTA 55117		DATE <u>MARCH 1990</u>		SHEET <u>8</u> OF <u>11</u> SHEETS PROJECT NO. <u>230-086</u>	