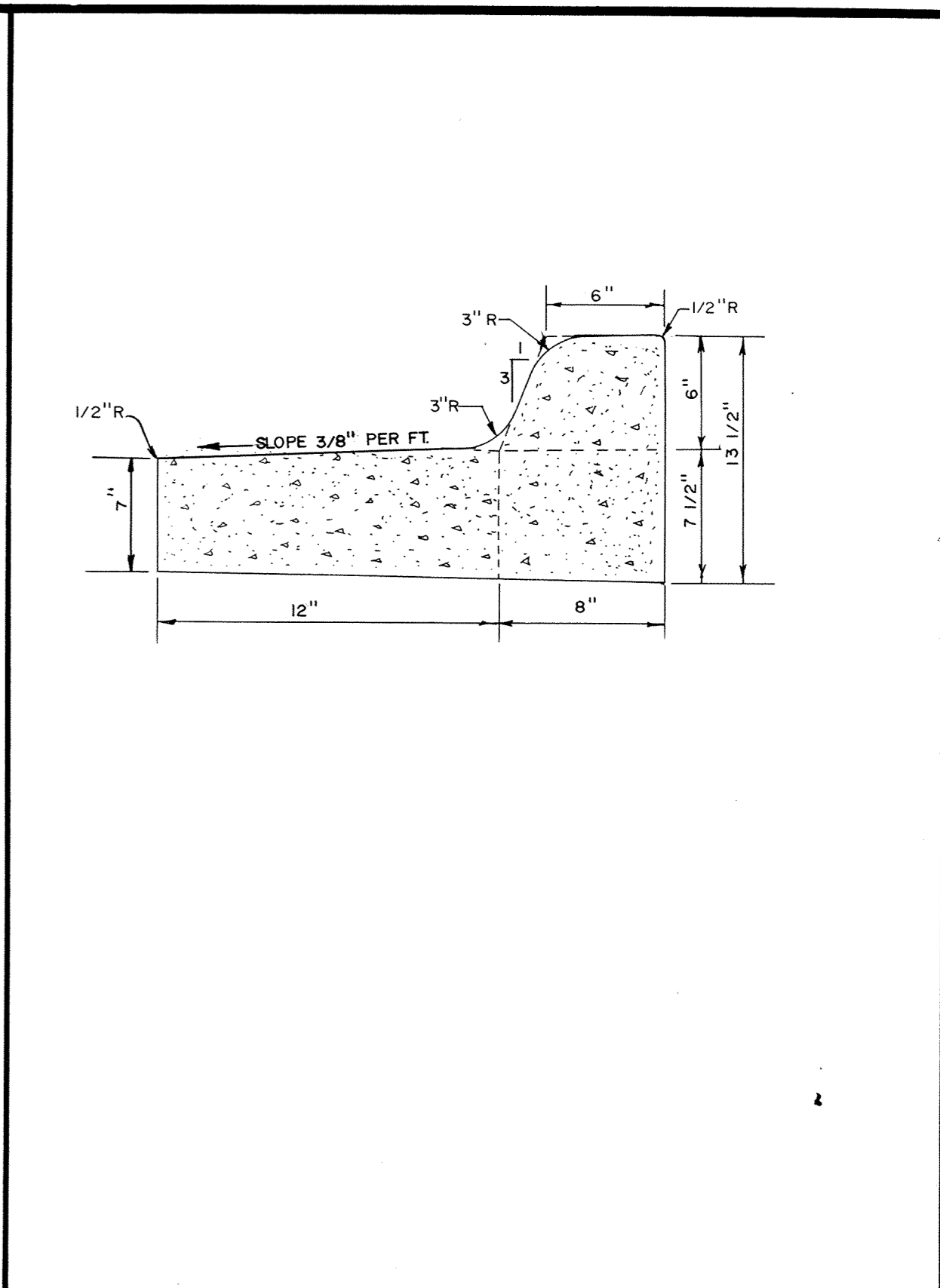
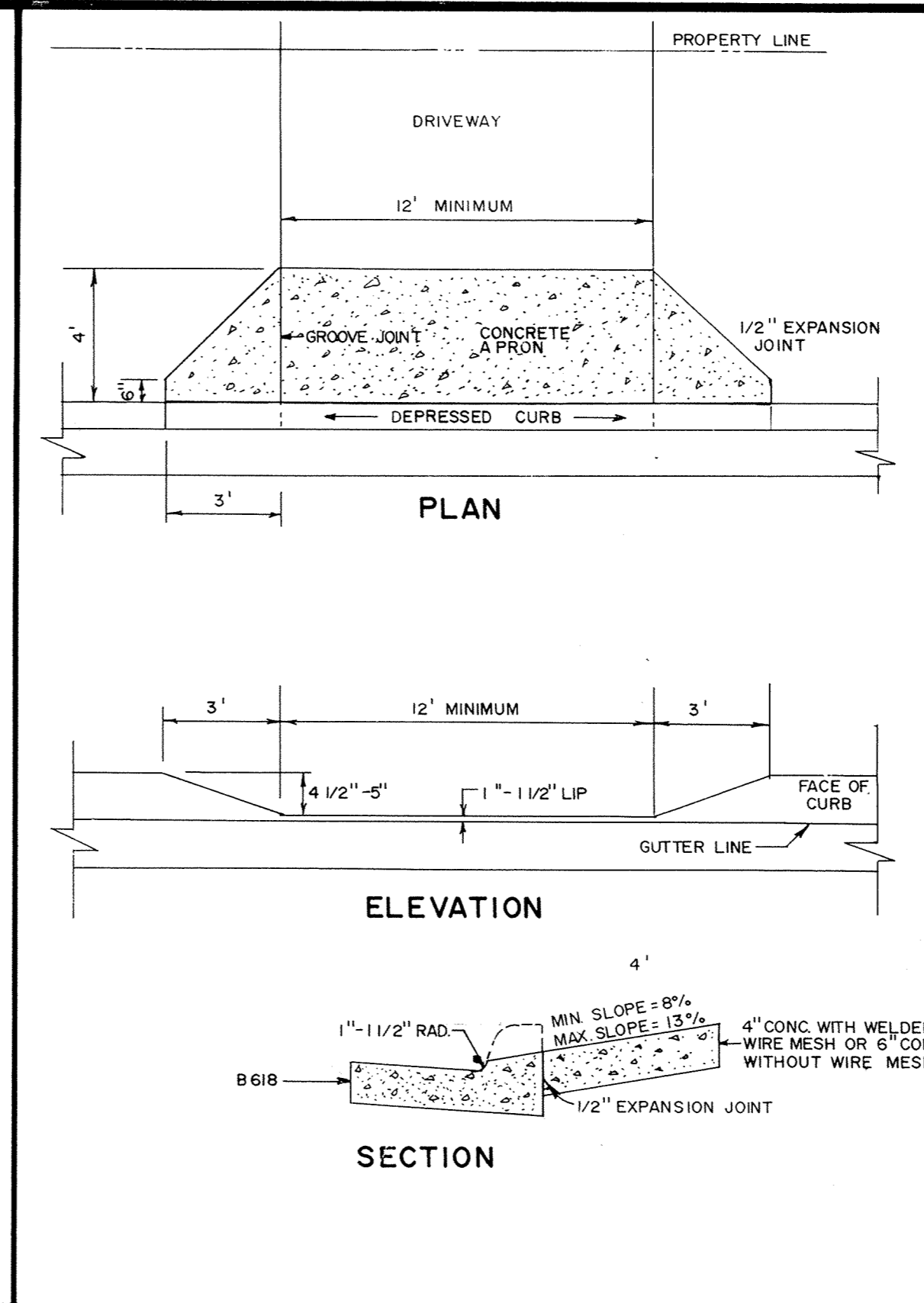


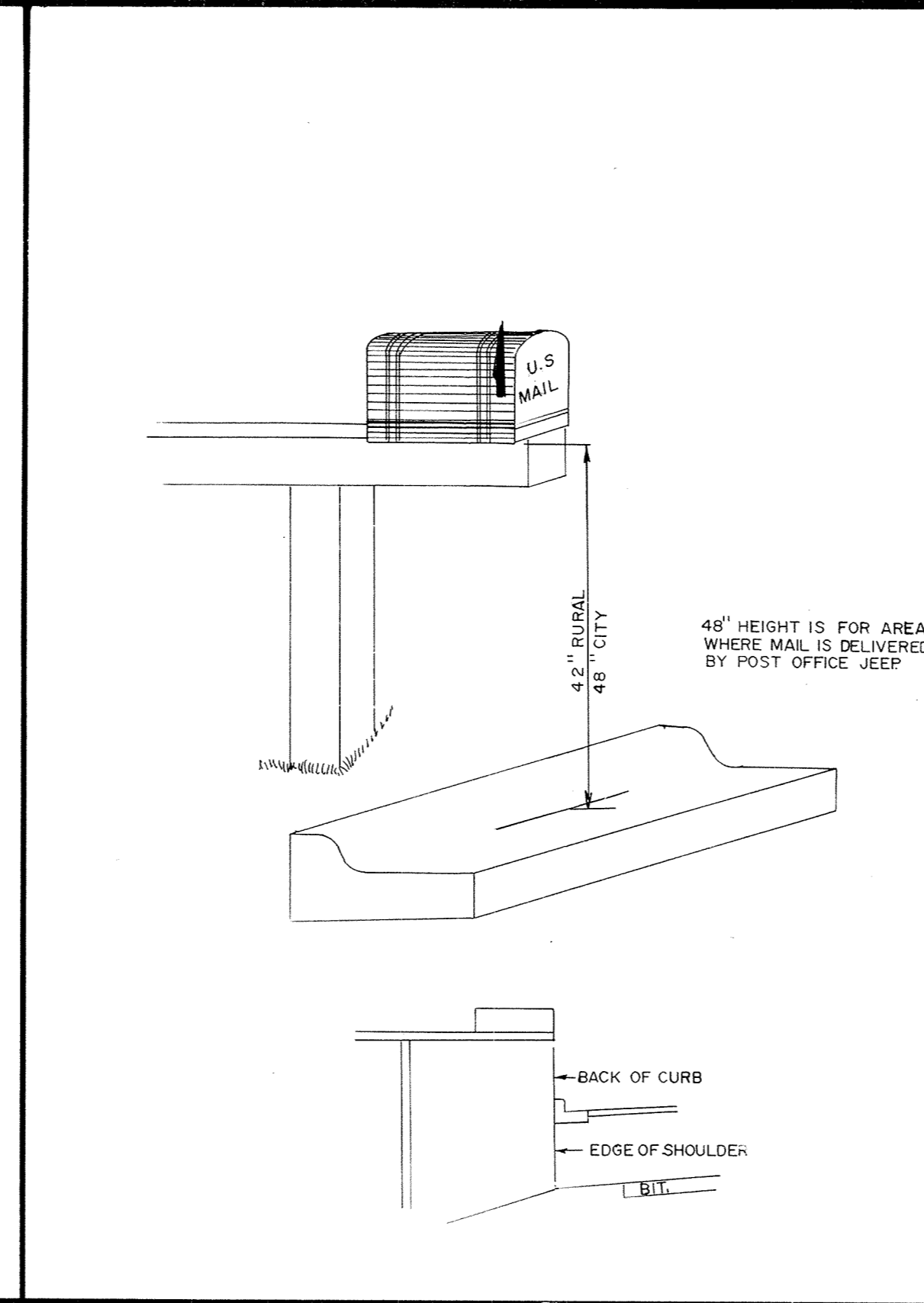
SAICO PRODUCTS • NEW HOPKINS, MINNESOTA  
RENDERED BY PART NUMBER 6532  
FURNISH THIS SET OF PRINTS ON THIS LINE



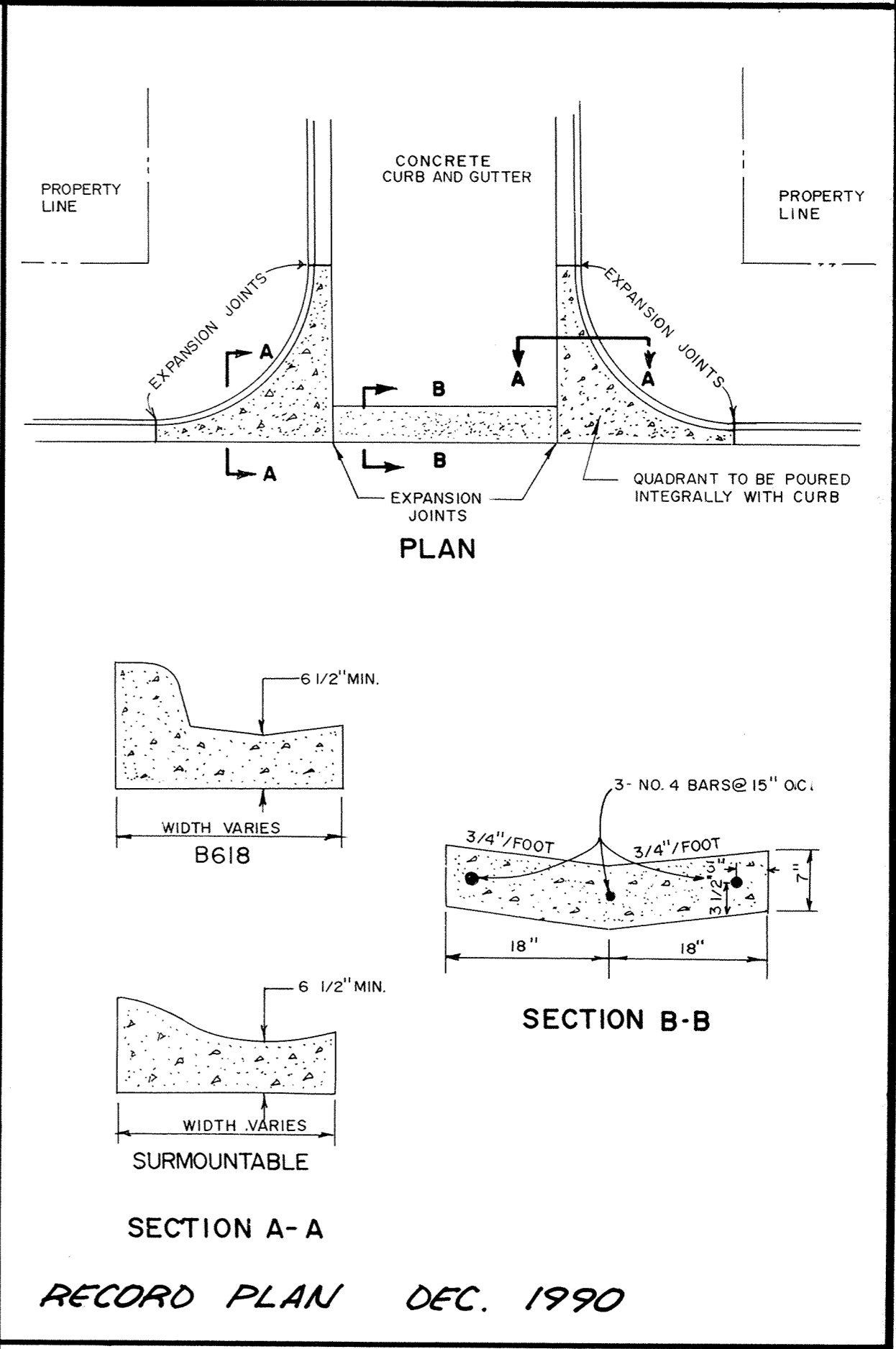
CONCRETE CURB AND GUTTER B612



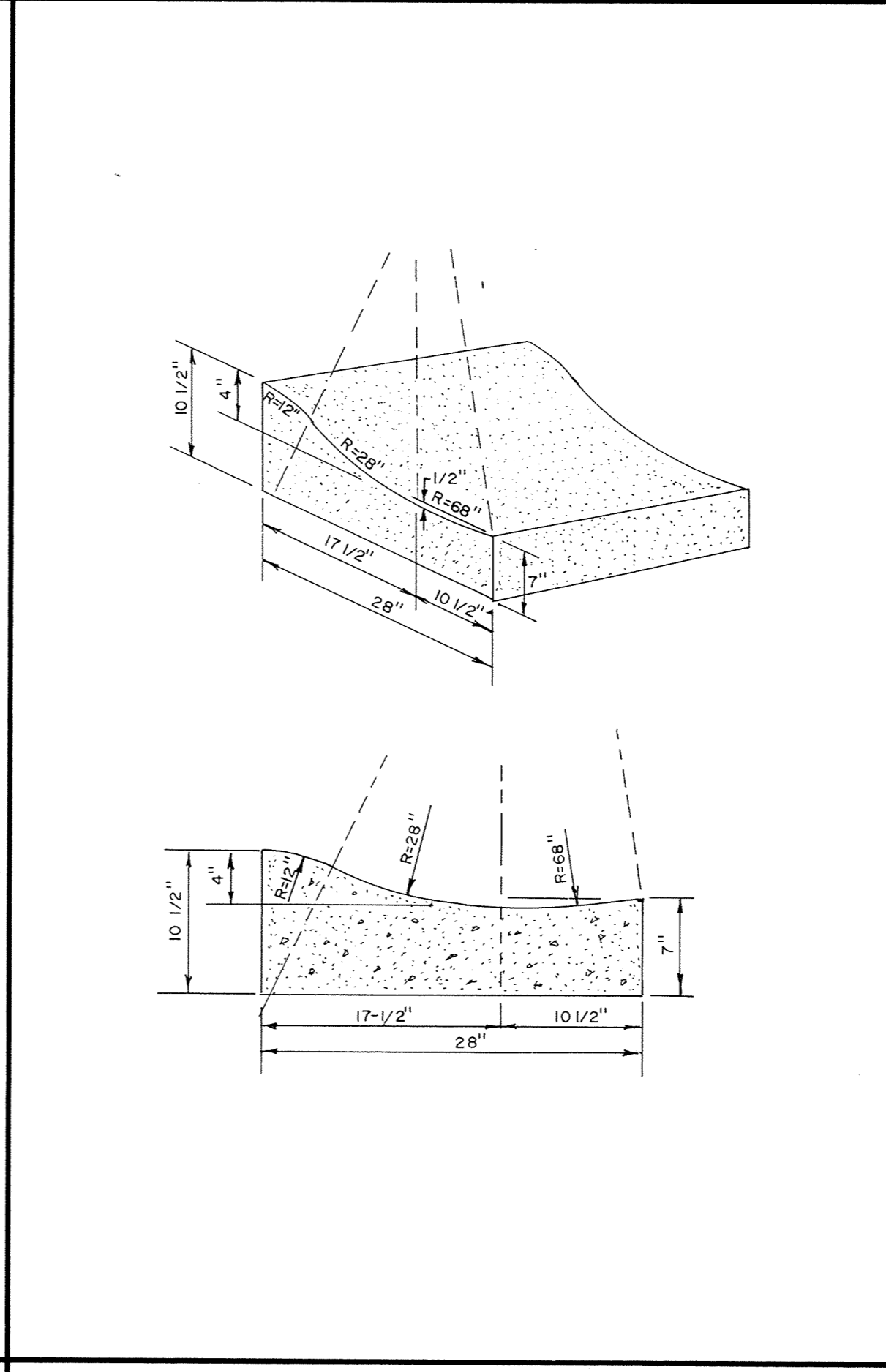
DEPRESSED CURB W/ DRIVEWAY APRON



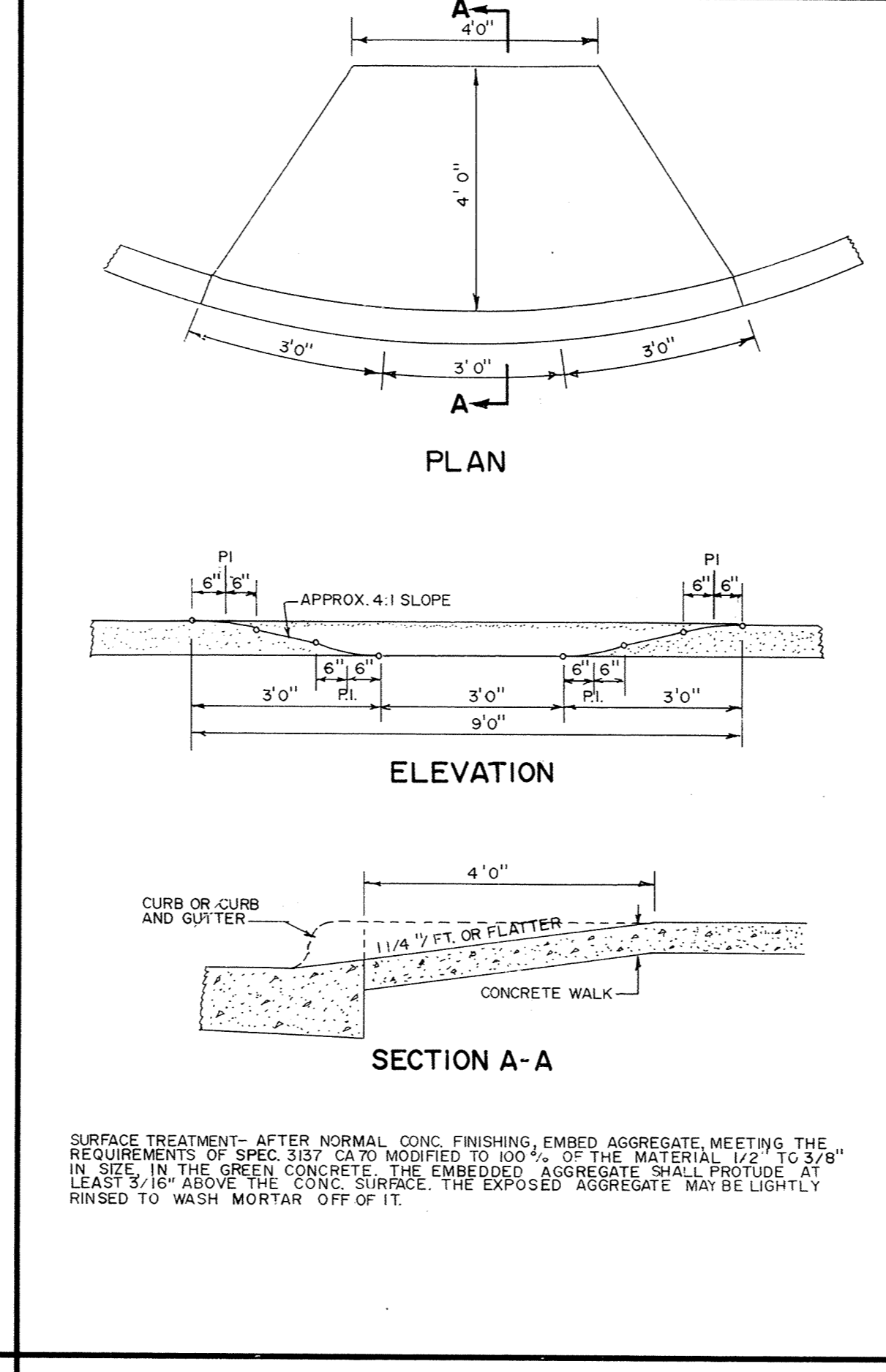
MAIL BOX



CONCRETE "V" GUTTER



SURMOUNTABLE CONCRETE CURB AND GUTTER



PEDESTRIAN CURB RAMPS

**MSA** CONSULTING ENGINEERS  
**Maier Stewart & Associates Inc.**  
 1959 SLOAN PLACE (612) 774-6021 ST. PAUL, MINNESOTA 55117

REVISIONS	DATE	DESCRIPTION	DESIGNED	CHECKED	DRAWN

GRAPHIC SCALE  
 0 HORIZ. NONE  
 0 VERT.

CITY OF ELK RIVER  
 BAILEY BECK ADDITION  
 STREET CONSTRUCTION DETAILS

DATE MARCH 1990 SHEET 11 OF 11 SHEETS PROJECT NO. 230-086