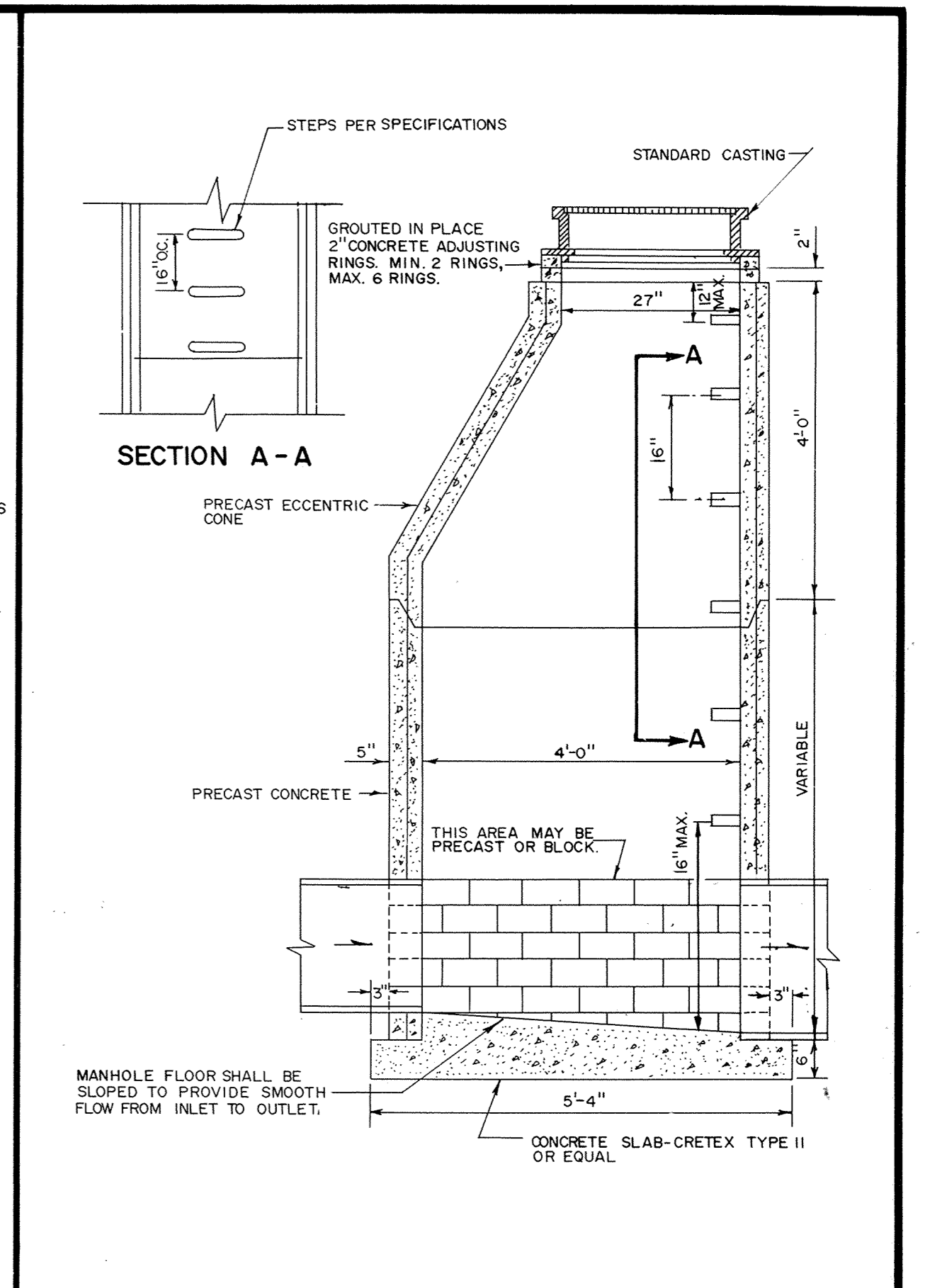
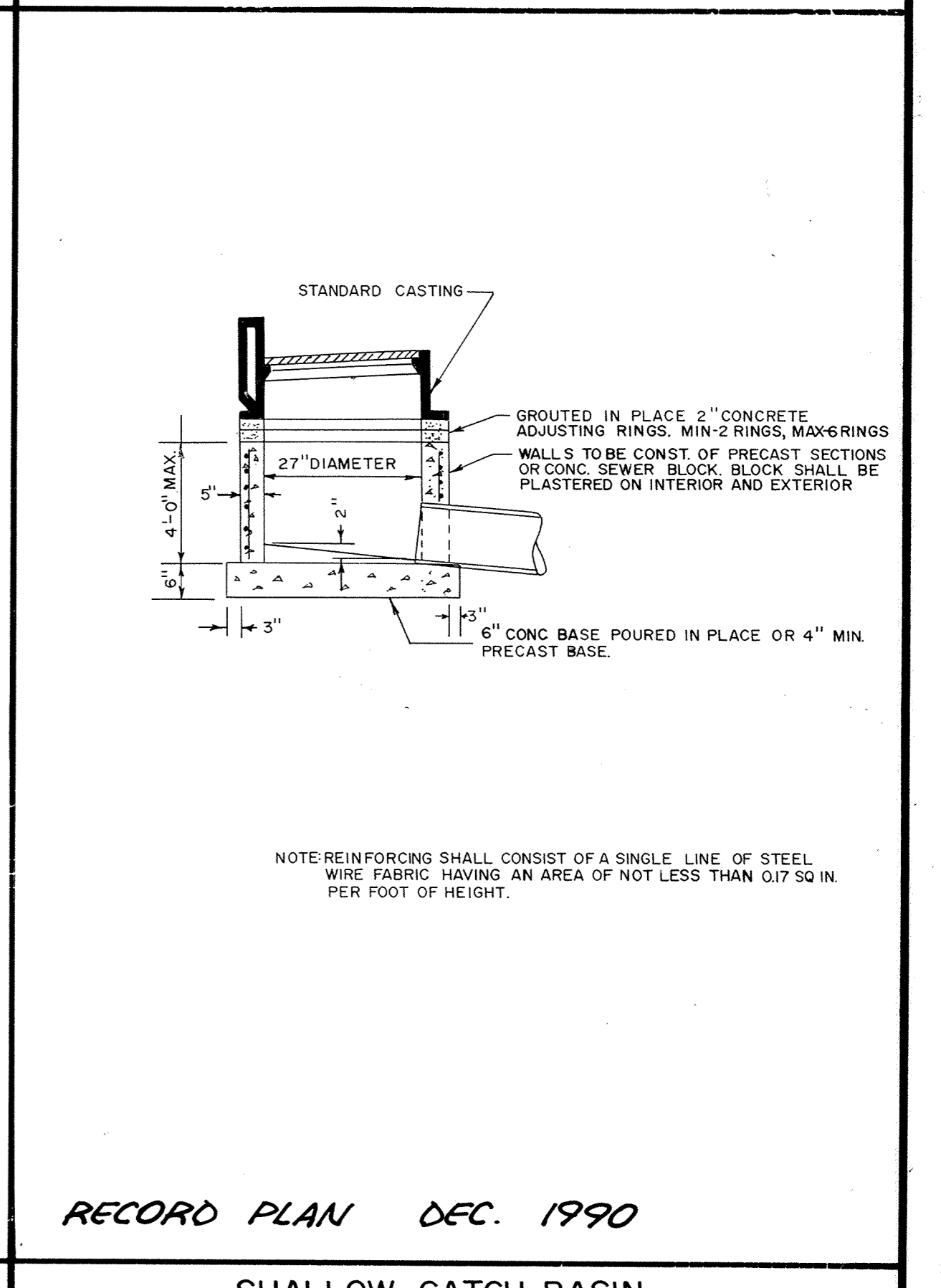


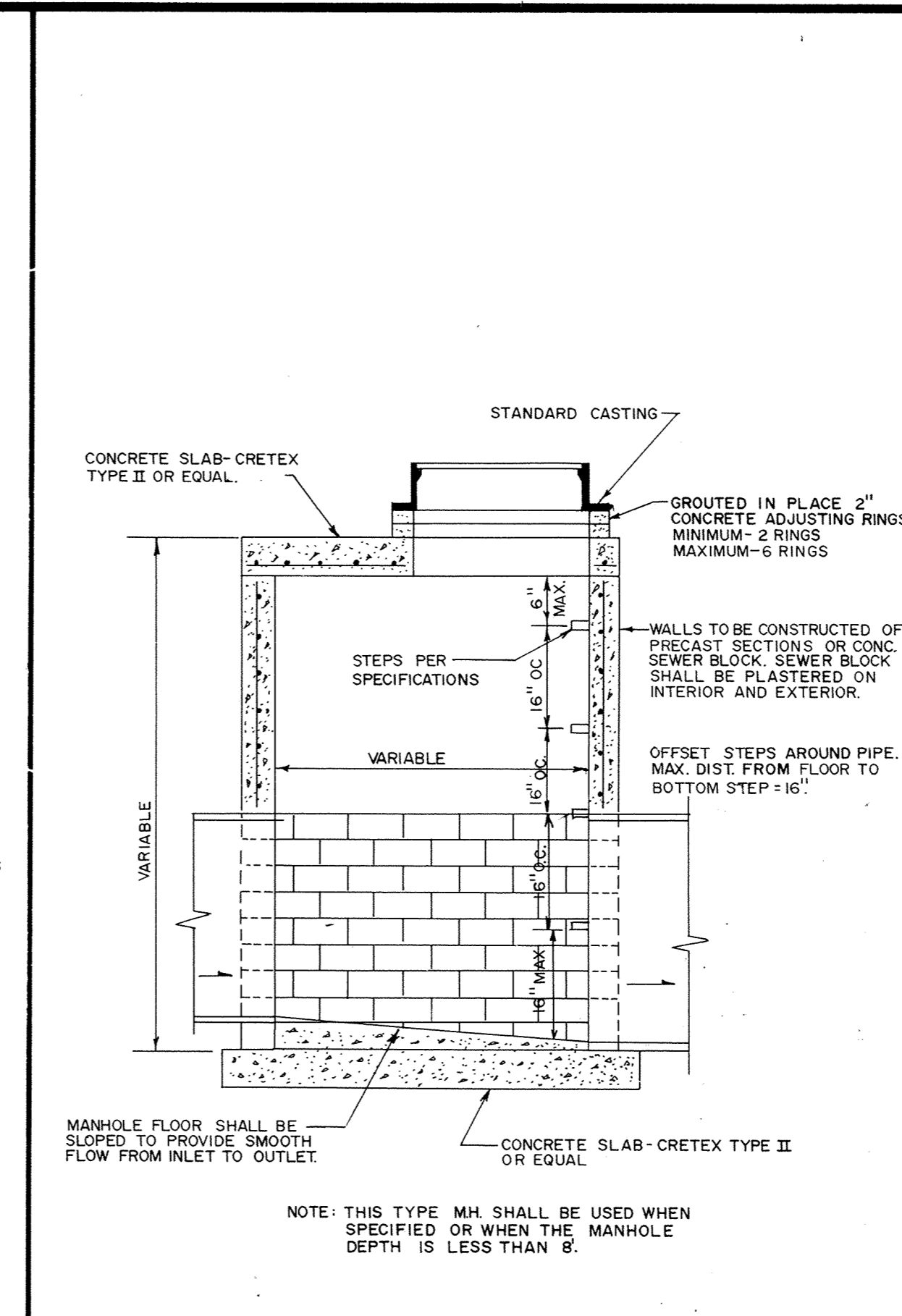
SANDO PRODUCTS • NEW YORK, MINNESOTA
 MEMBER BY PART NUMBER 5532
 SANDO PRODUCTS • NEW YORK, MINNESOTA
 MEMBER BY PART NUMBER 5532
 SANDO PRODUCTS • NEW YORK, MINNESOTA
 MEMBER BY PART NUMBER 5532
 SANDO PRODUCTS • NEW YORK, MINNESOTA
 MEMBER BY PART NUMBER 5532



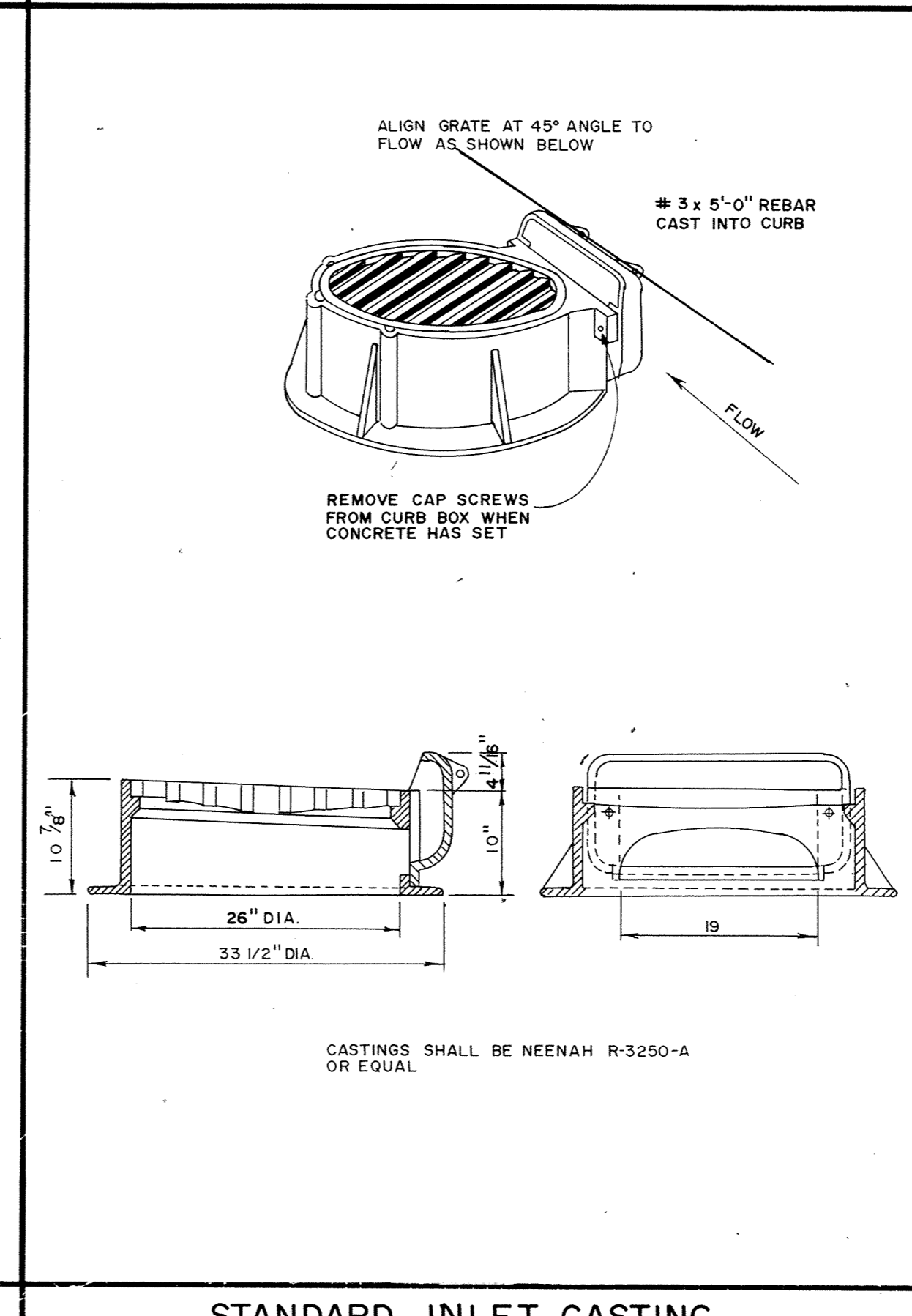
STANDARD MANHOLE



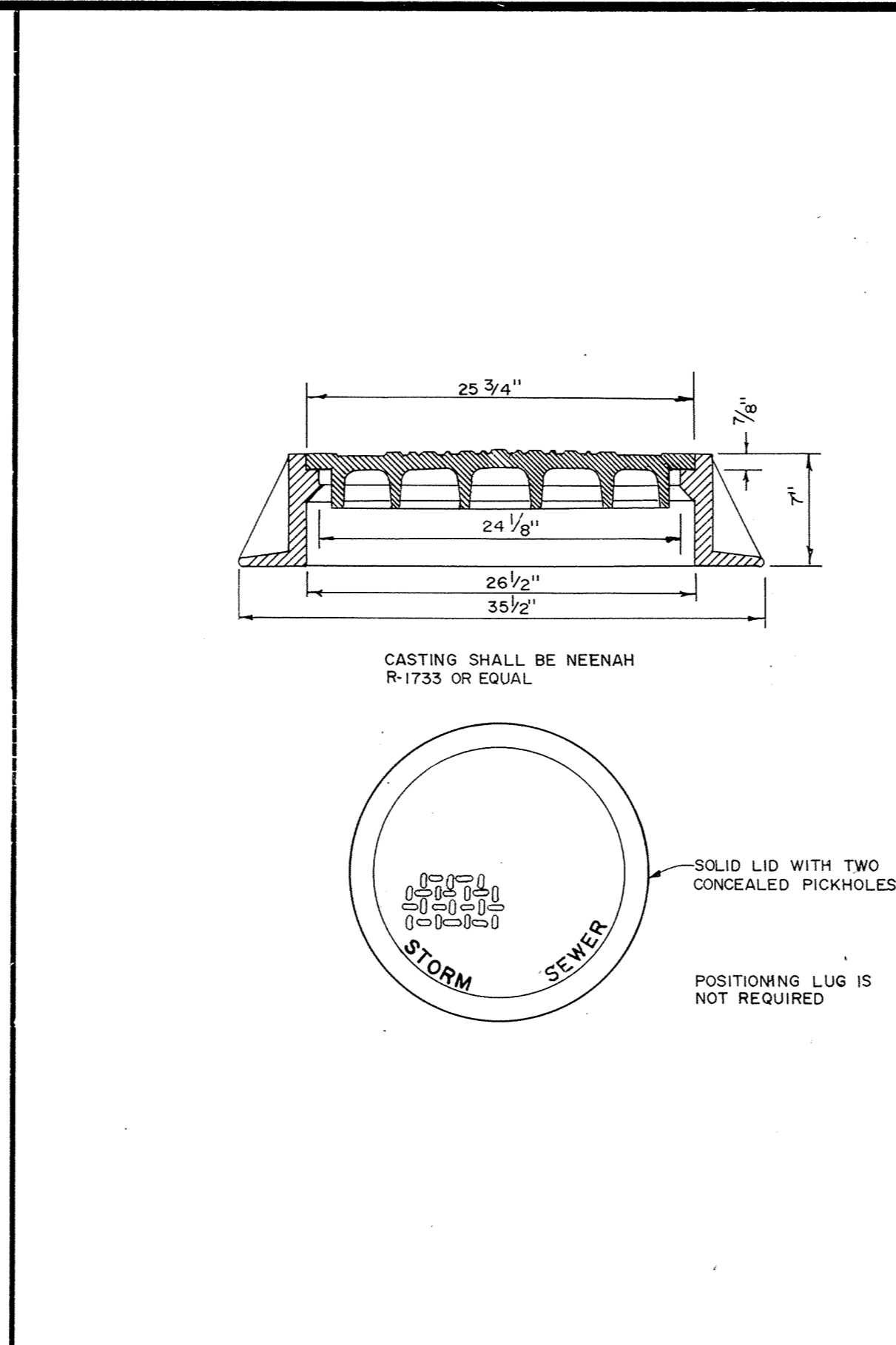
SHALLOW CATCH BASIN



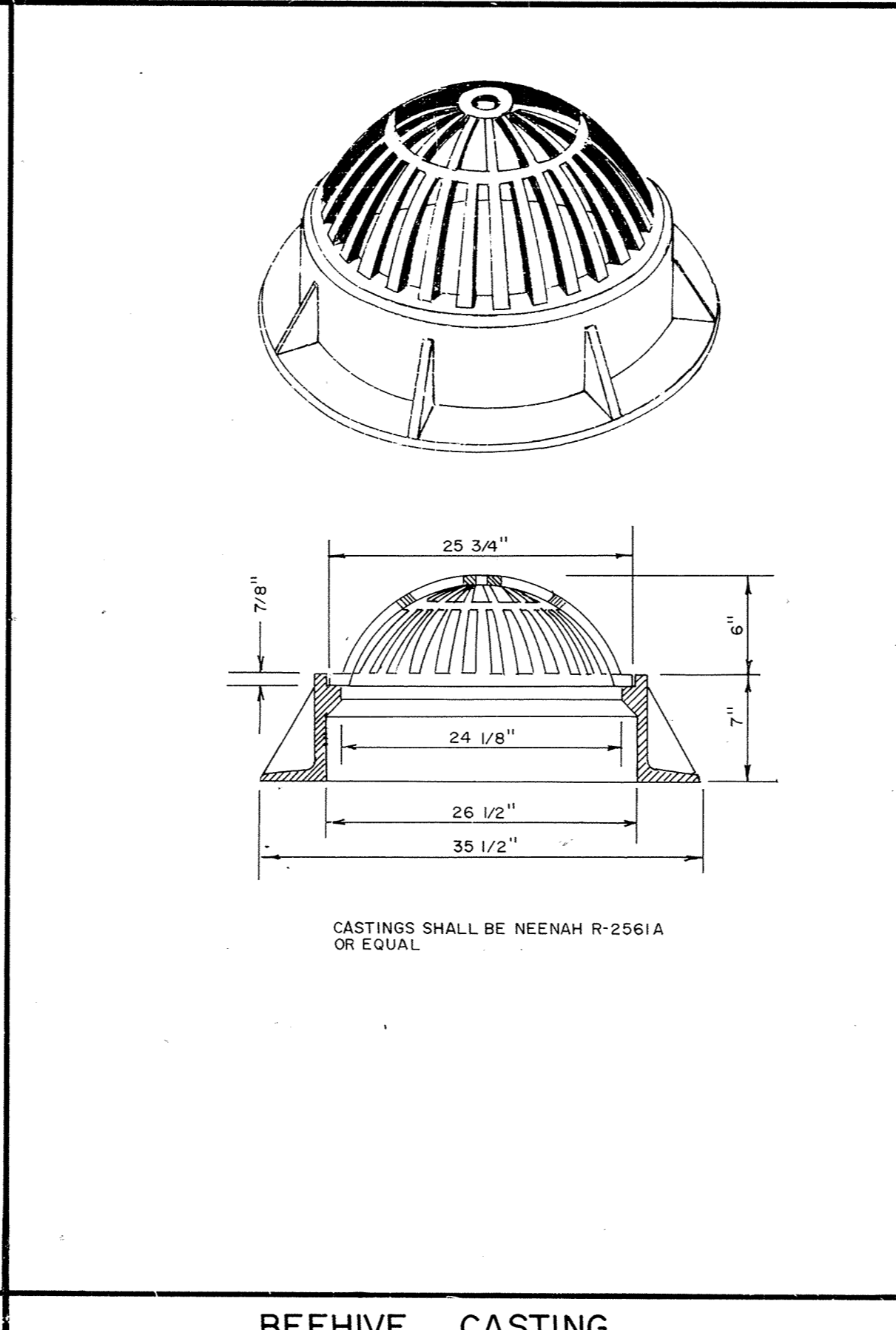
SLAB-TOP MANHOLE



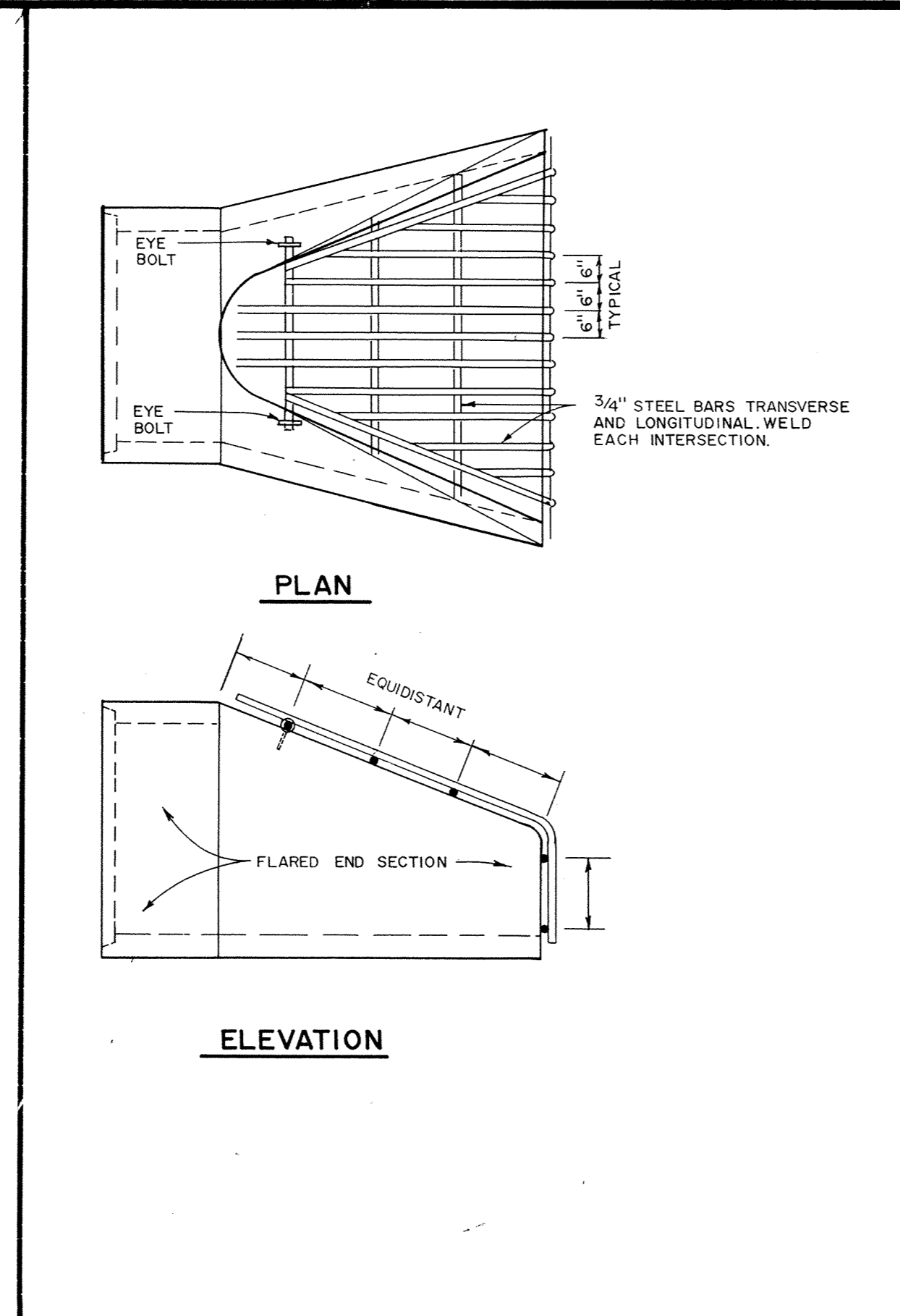
STANDARD INLET CASTING



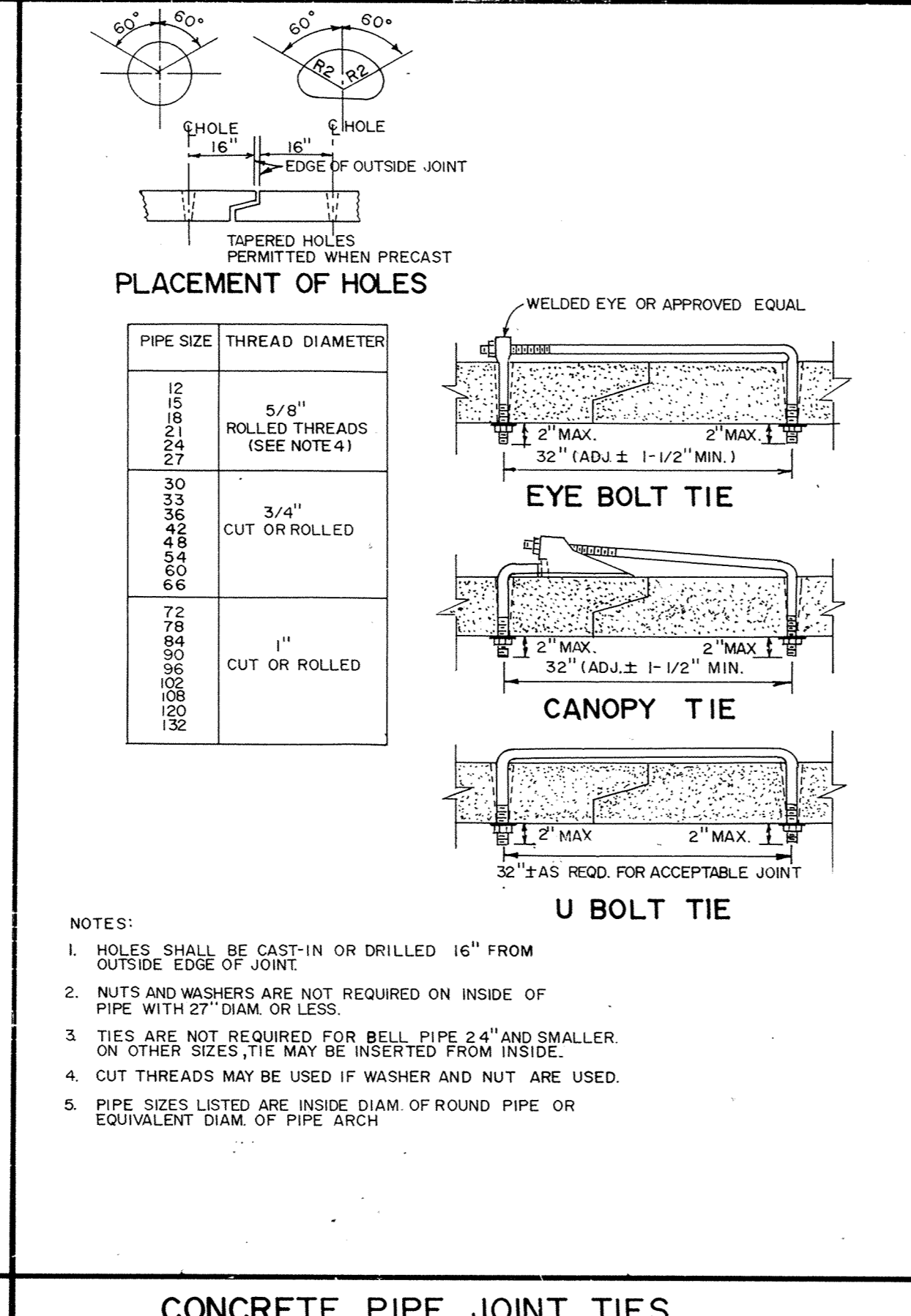
STANDARD MANHOLE CASTING



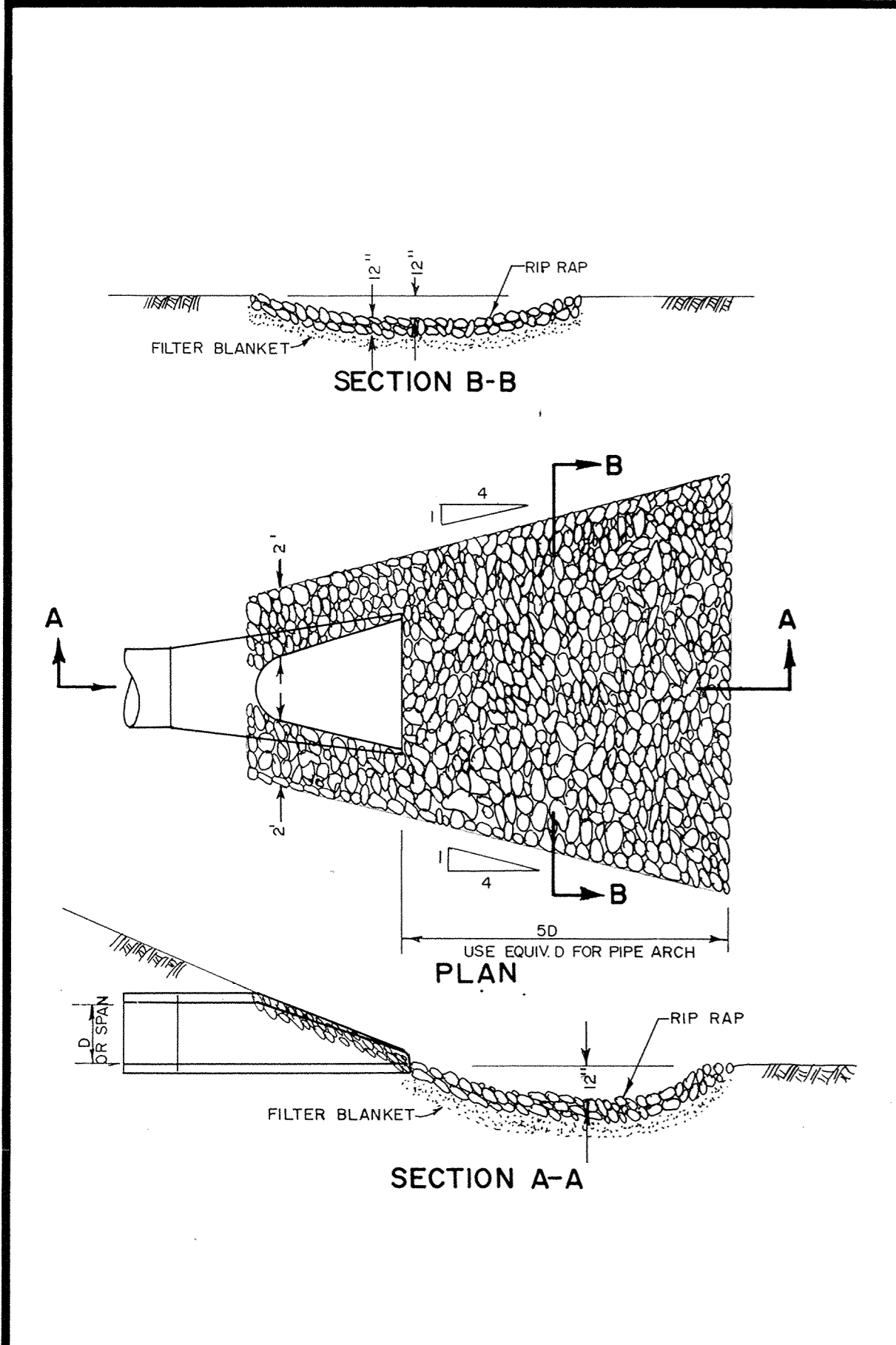
BEEHIVE CASTING



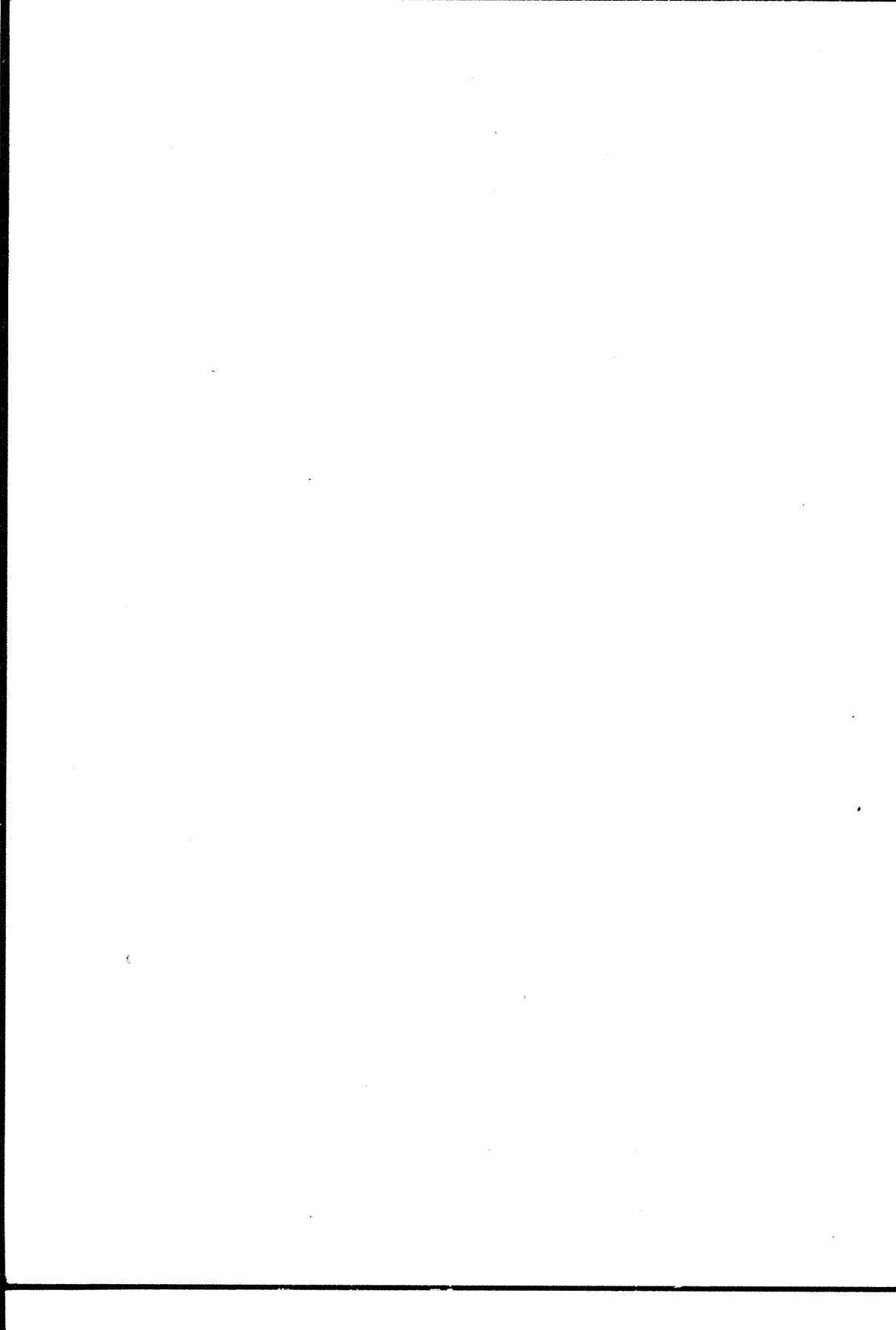
TRASH GUARD



CONCRETE PIPE JOINT TIES



RIP-RAP INSTALLATION



RIP-RAP INSTALLATION

<p>CONSULTING ENGINEERS Maier Stewart & Associates Inc. 1959 SLOAN PLACE (612) 774-6021 ST. PAUL, MINNESOTA 55117</p>		DATE _____ DESCRIPTION _____ DESIGNED _____ CHECKED _____ DRAWN MRL GRAPHIC SCALE 0 HORIZ. NONE 0 VERT.	CITY OF ELK RIVER BAILEY BECK ADDITION STORM SEWER DETAILS
REVISIONS 1 2 3	DATE MARCH 1990 SHEET 10 OF 11 SHEETS PROJECT NO. 230-086	DATE MARCH 1990 SHEET 10 OF 11 SHEETS PROJECT NO. 230-086	