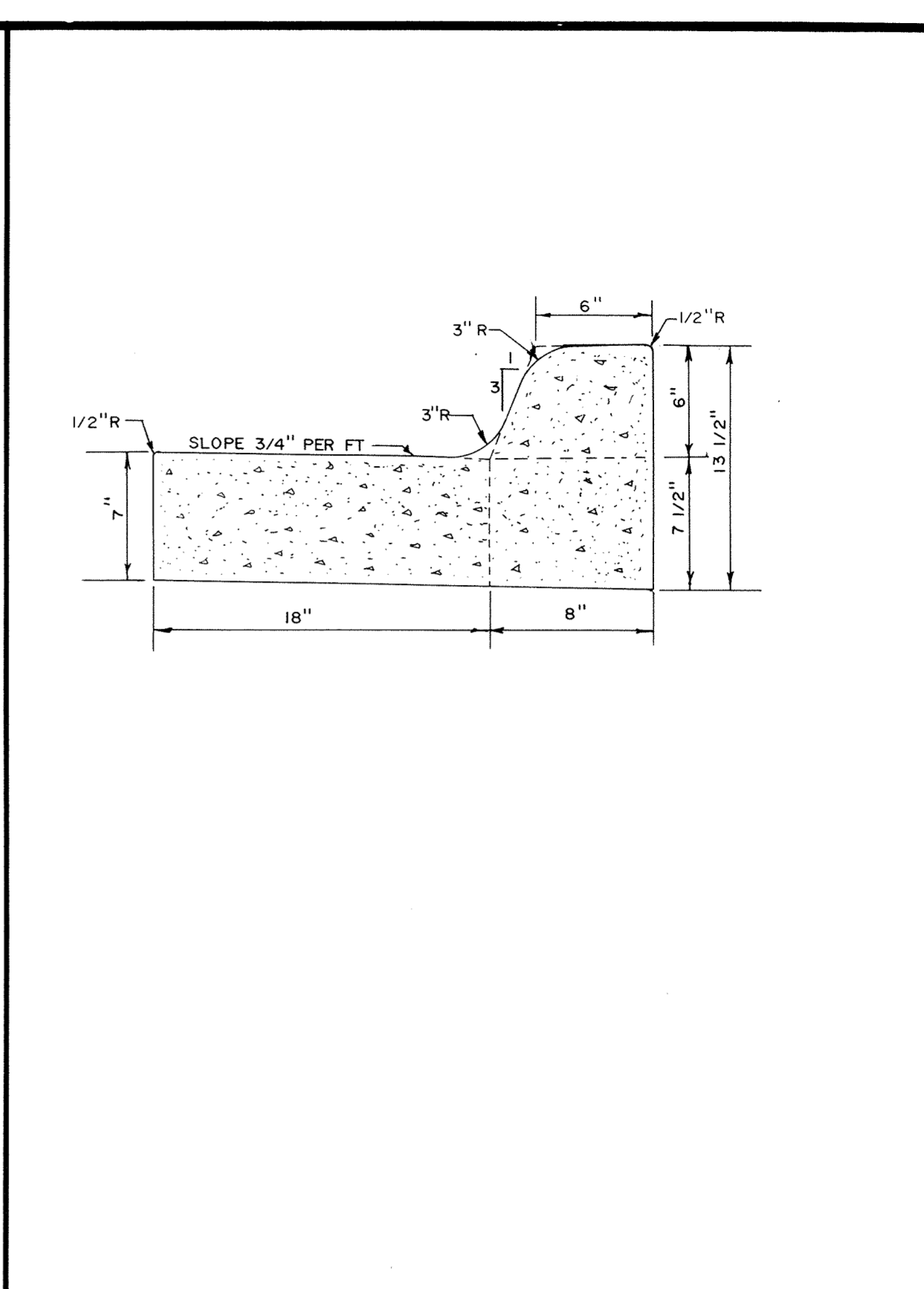


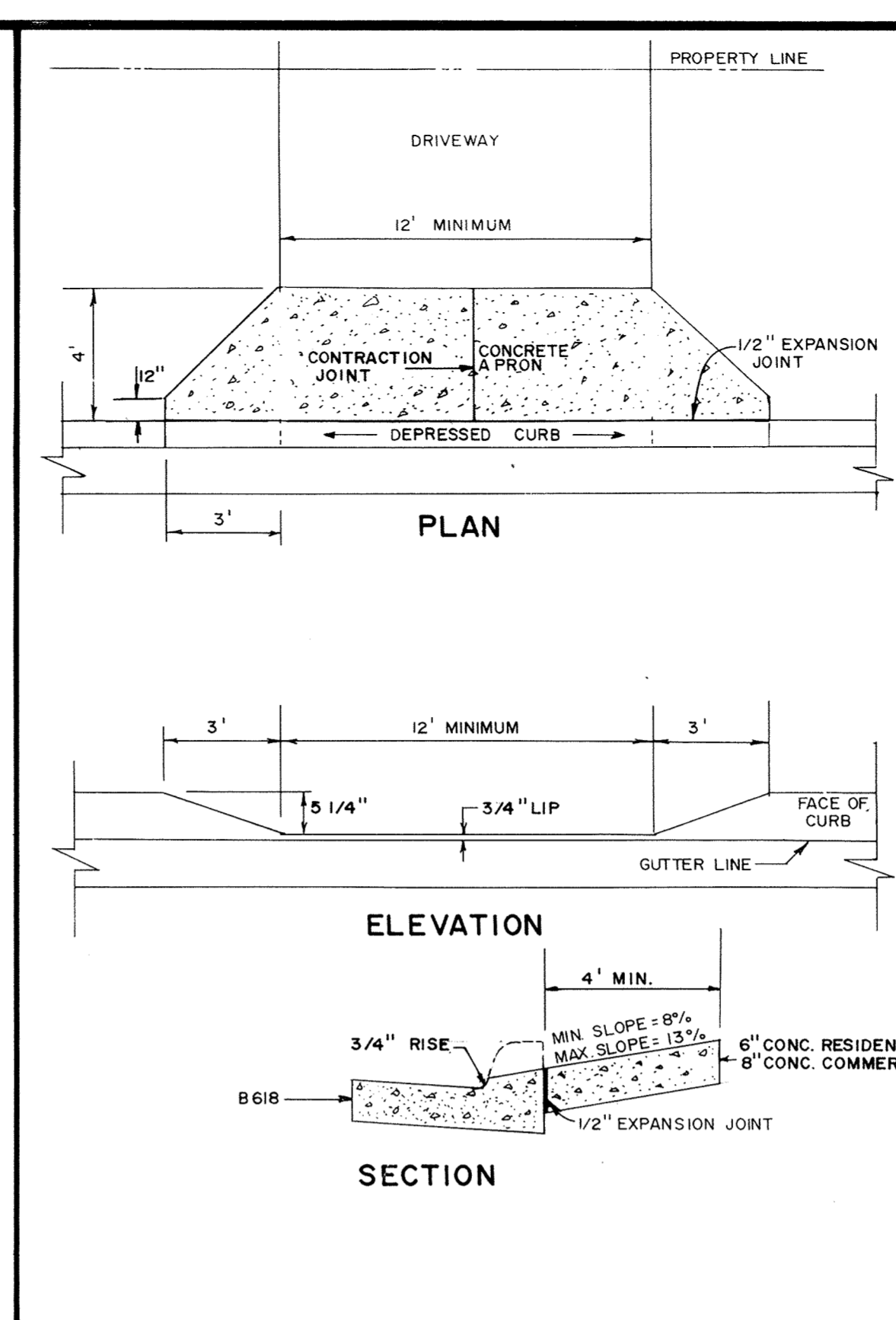
SDCO PRODUCTS • NEW HOPKINS, MINNESOTA
REPRODUCED BY PART NUMBER 8533
FOR THE USE OF THE USER ON THE LINE

SDCO PRODUCTS • NEW HOPKINS, MINNESOTA
REPRODUCED BY PART NUMBER 8533
FOR THE USE OF THE USER ON THE LINE

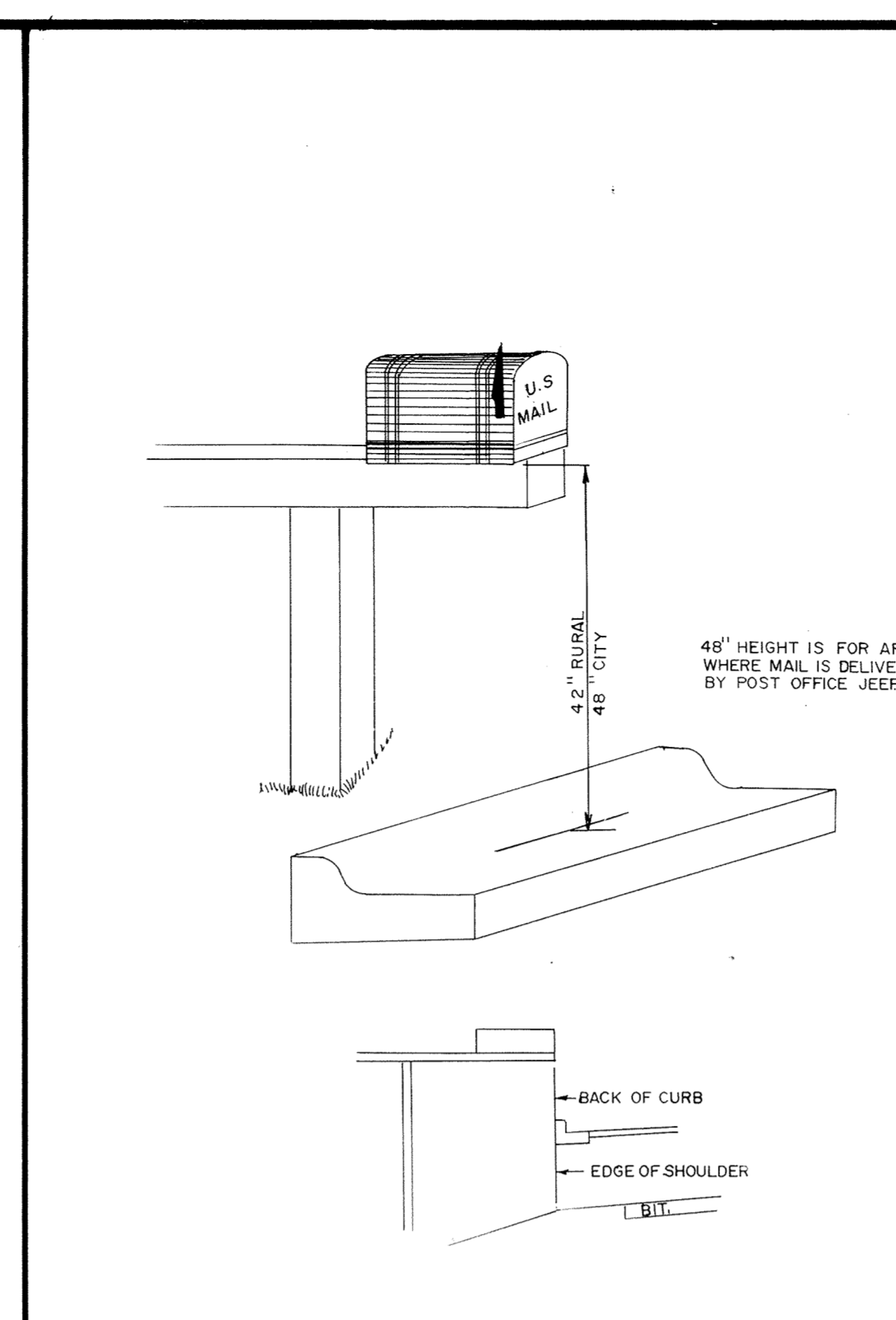
SDCO PRODUCTS • NEW HOPKINS, MINNESOTA
REPRODUCED BY PART NUMBER 8533
FOR THE USE OF THE USER ON THE LINE



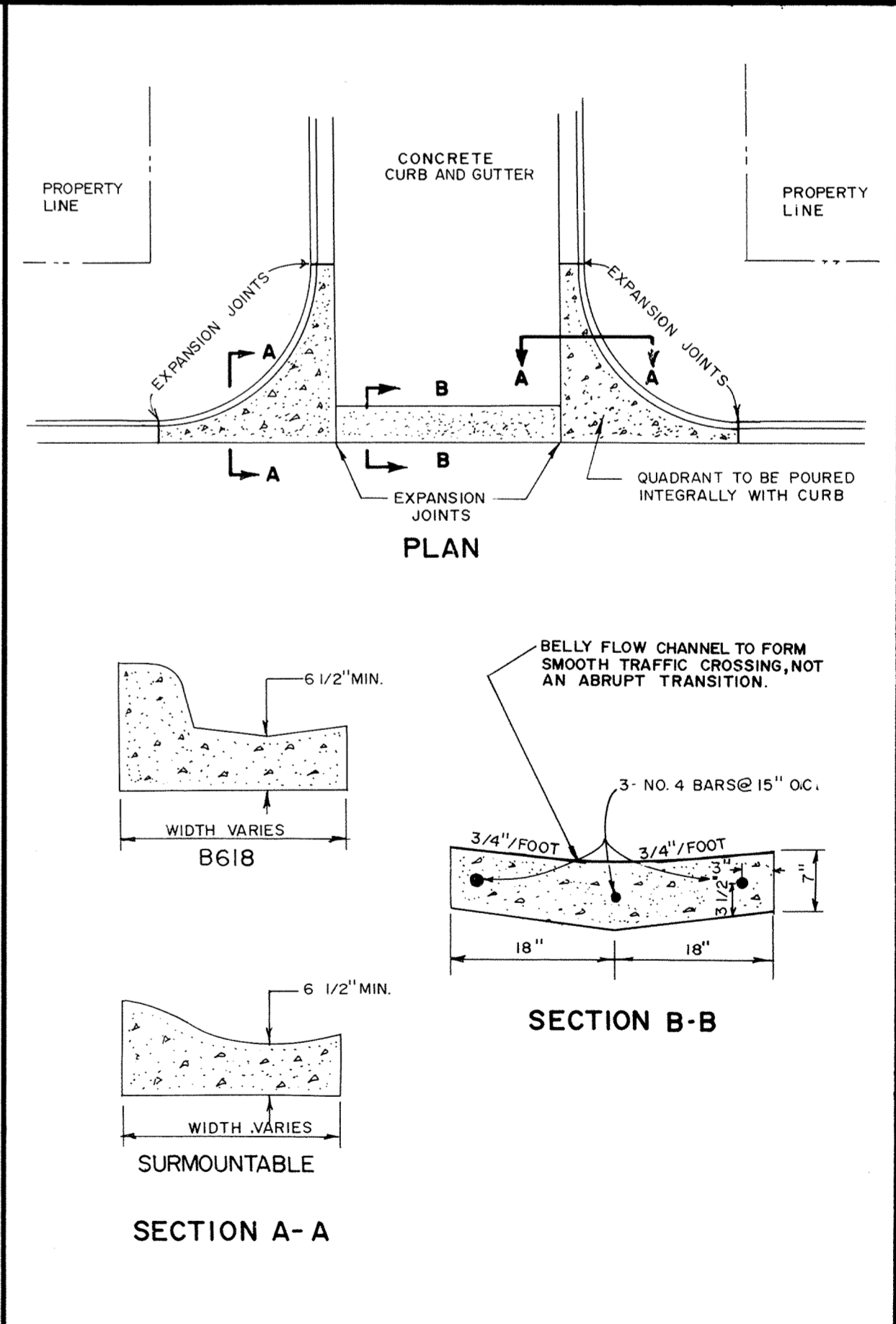
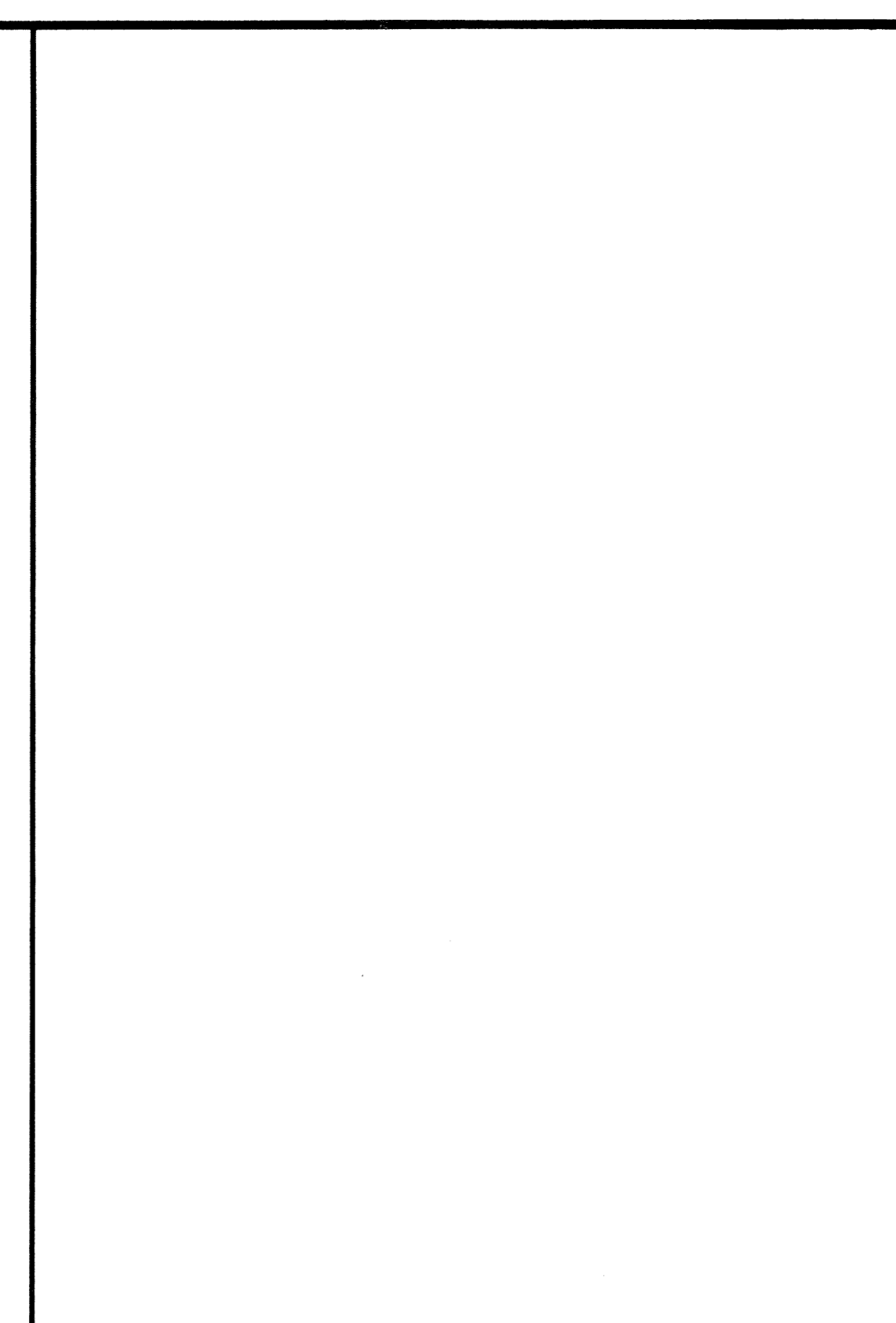
CONCRETE CURB AND GUTTER B618



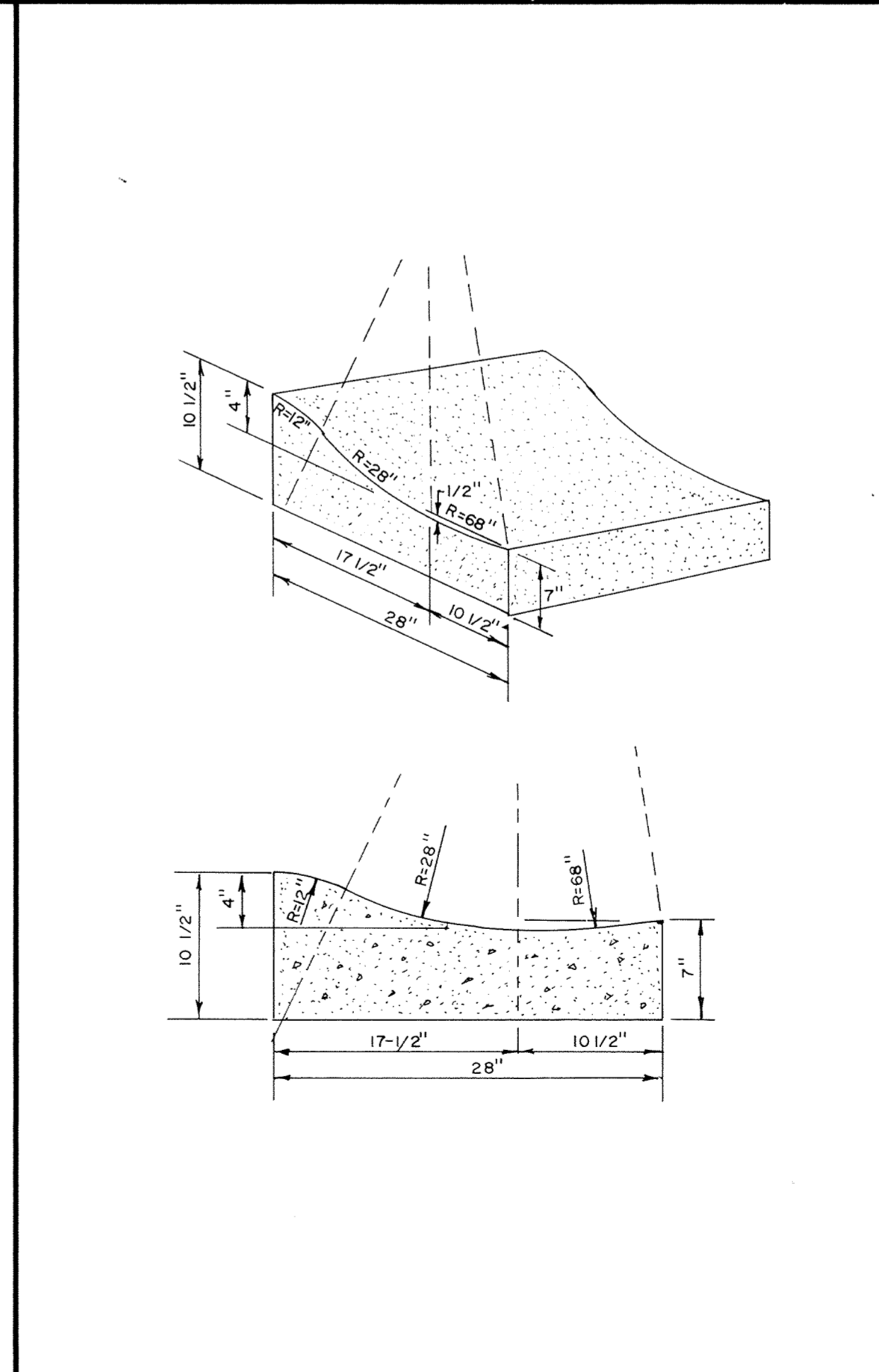
DEPRESSED CURB W/ DRIVEWAY APRON



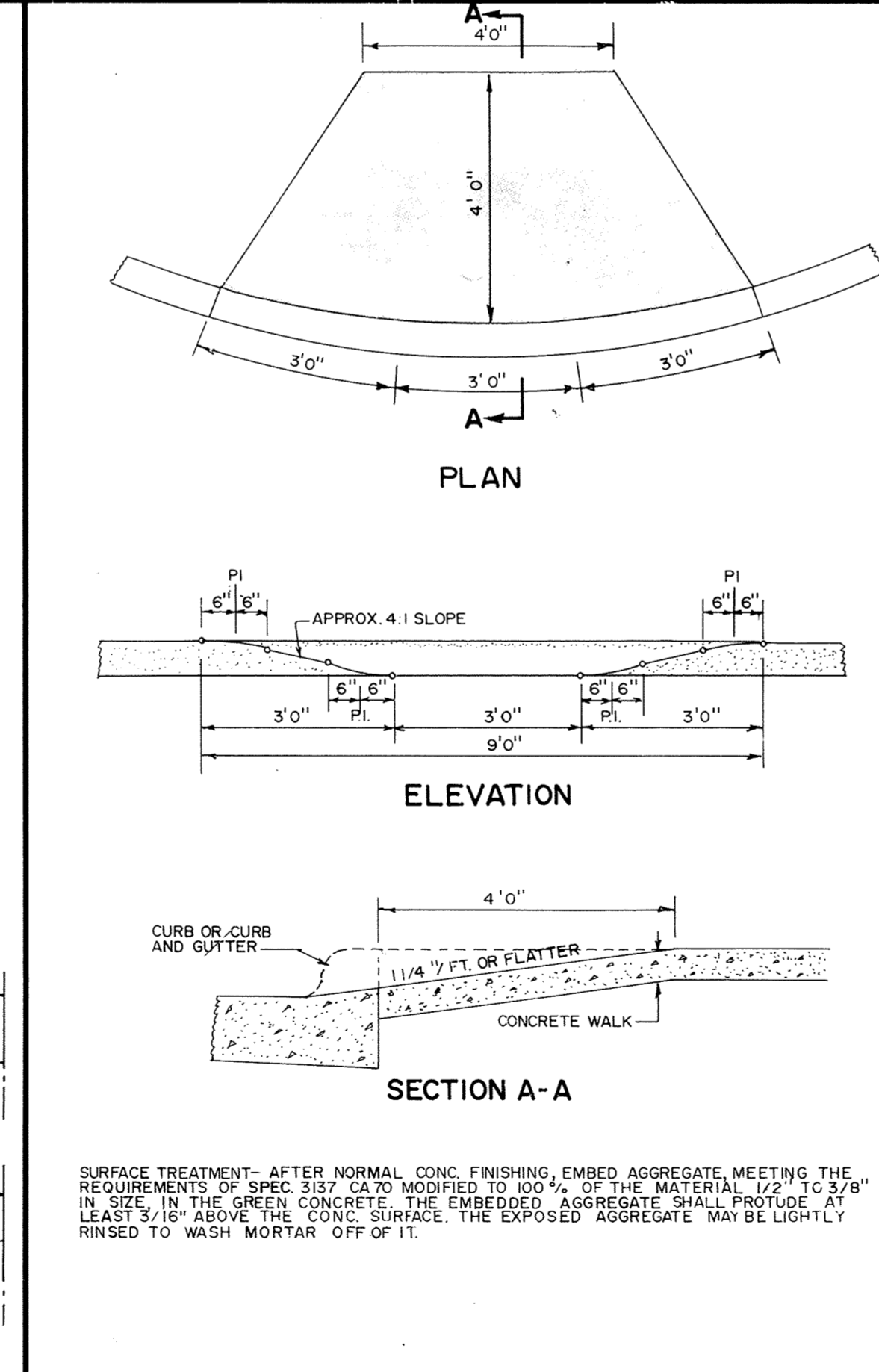
MAIL BOX



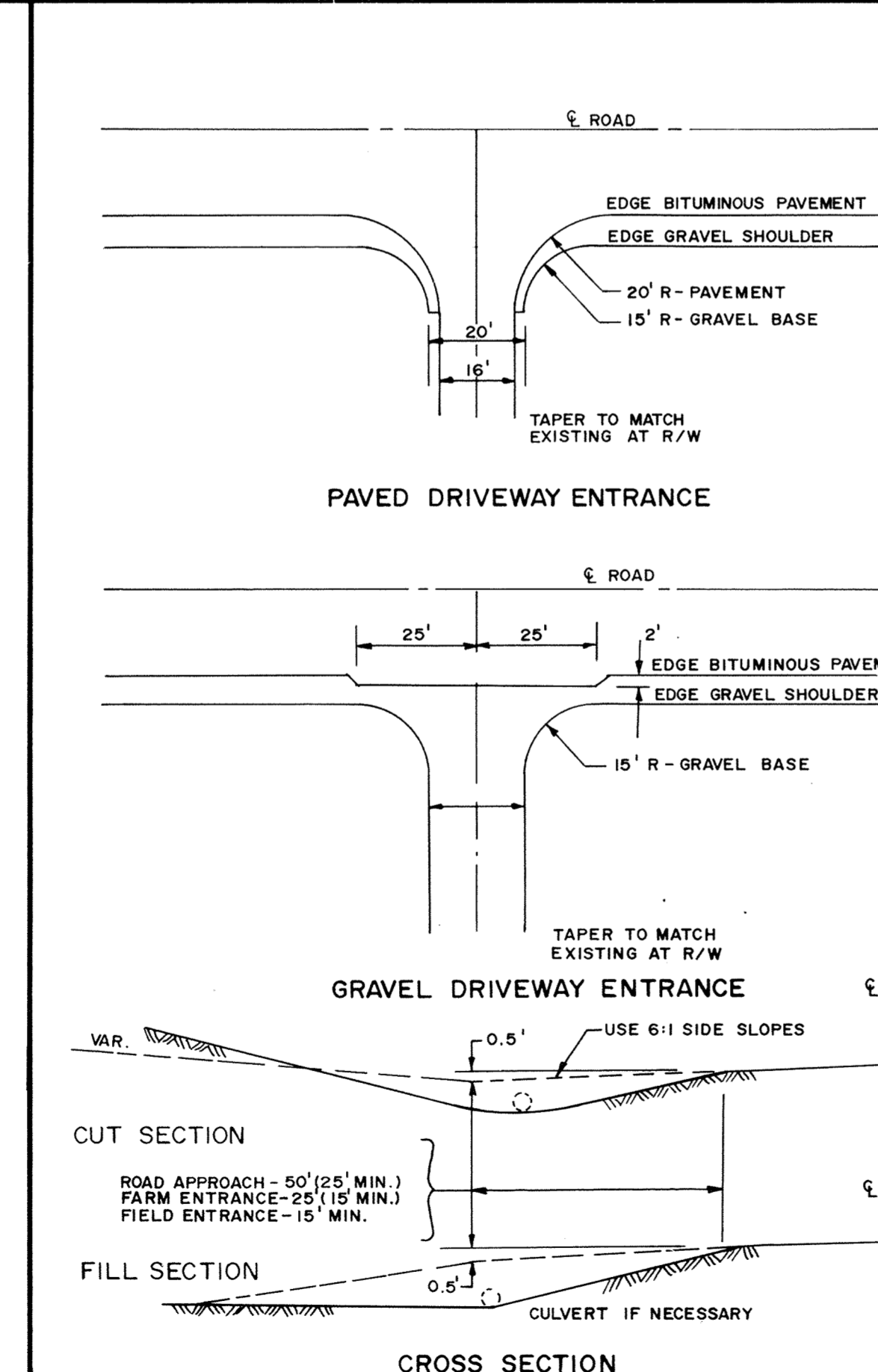
CONCRETE "V" GUTTER



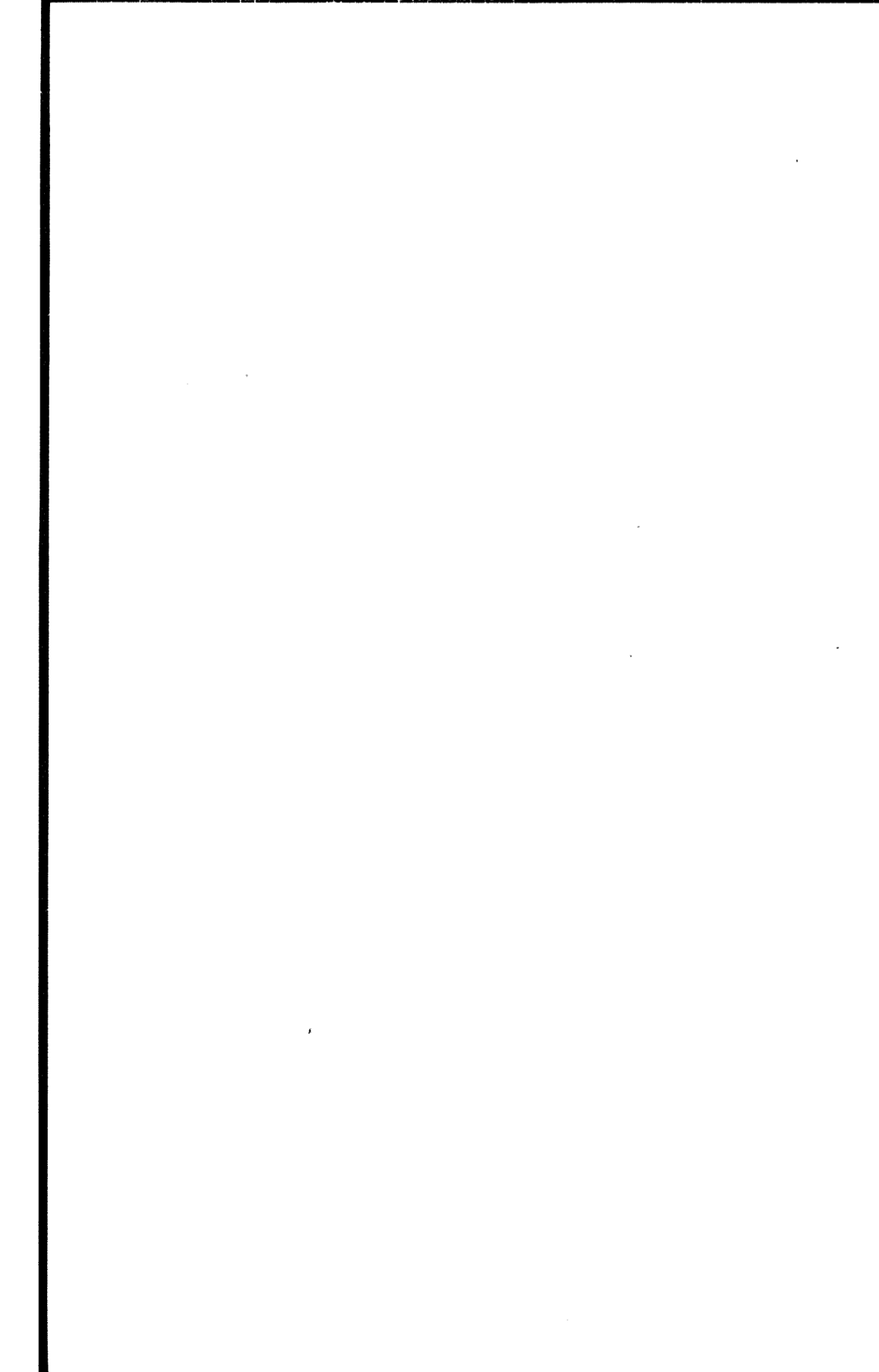
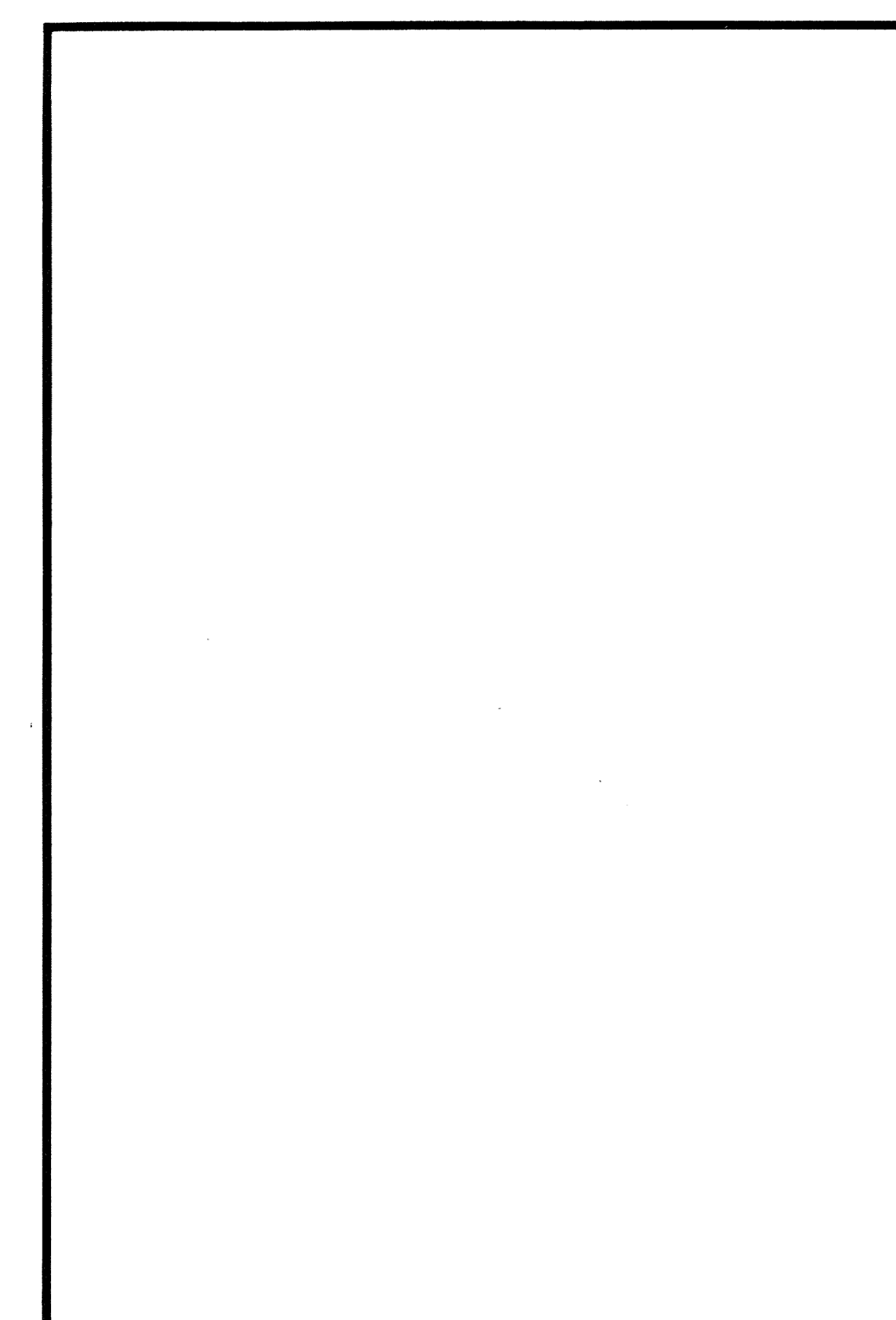
SURMOUNTABLE CONCRETE CURB AND GUTTER



PEDESTRIAN CURB RAMPS



RURAL DRIVEWAY ENTRANCE



PAVED DRIVEWAY ENTRANCE

		CONSULTING ENGINEERS Maier Stewart & Associates Inc. 1959 SLOAN PLACE (612) 774-6021 ST. PAUL, MINNESOTA 55117		DESIGNED _____ CHECKED _____ DRAWN _____ GRAPHIC SCALE 0 HORIZ. NONE 0 VERT. _____	DATE <u>MAR 1991</u> SHEET <u>7</u> OF <u>7</u> SHEETS PROJECT NO. <u>230-102-30</u>
REVISIONS _____ _____ _____					