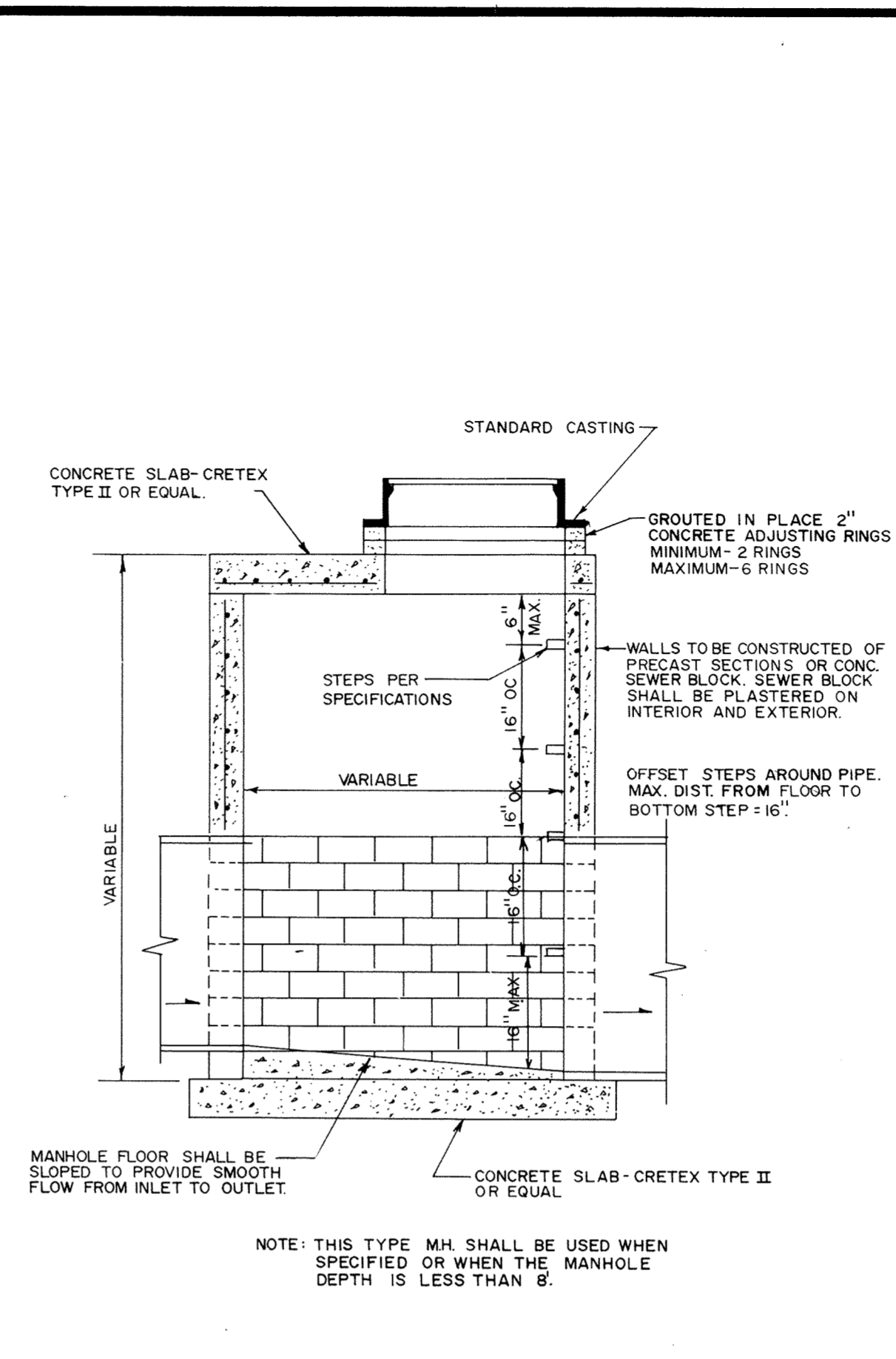
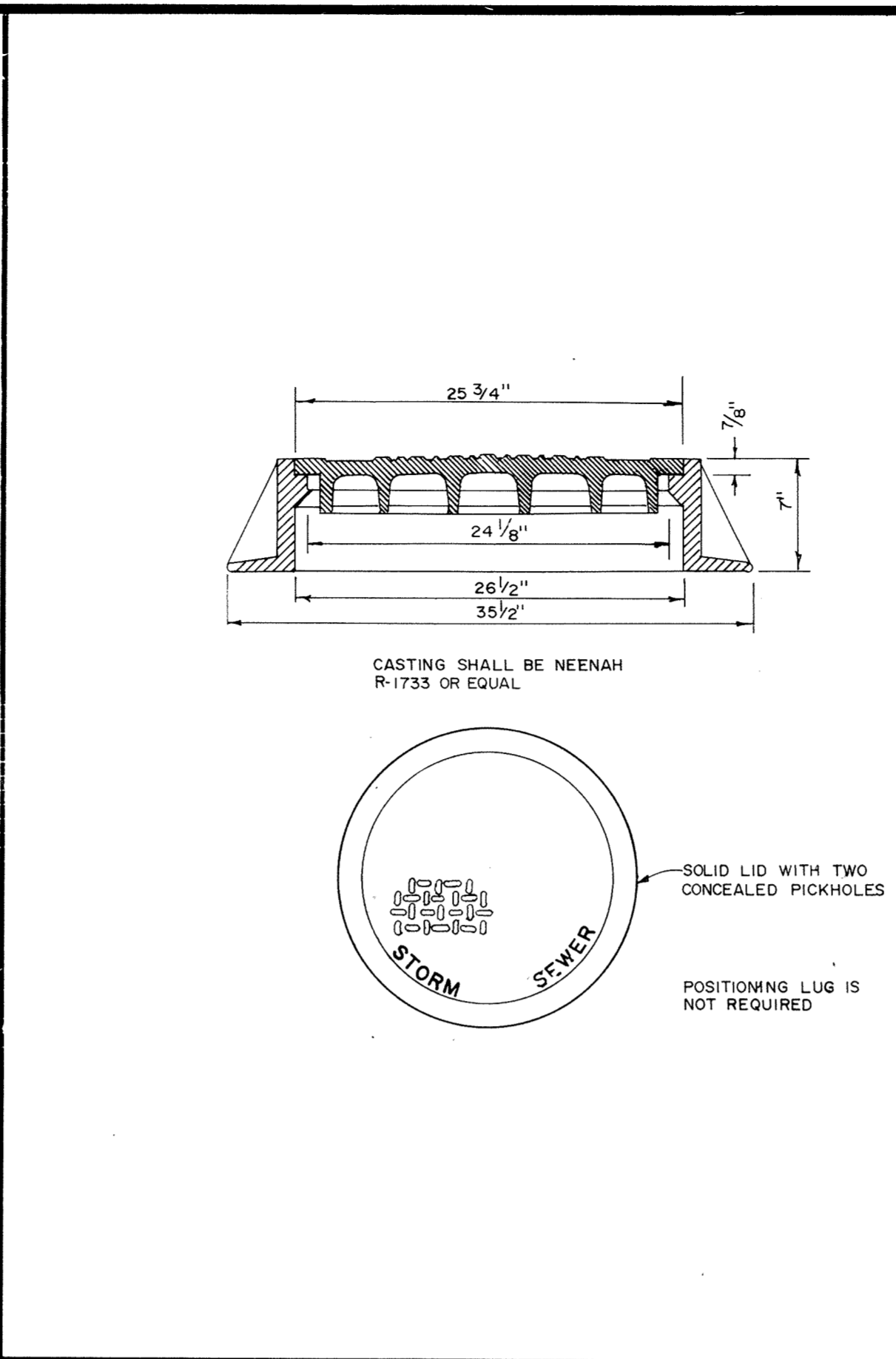


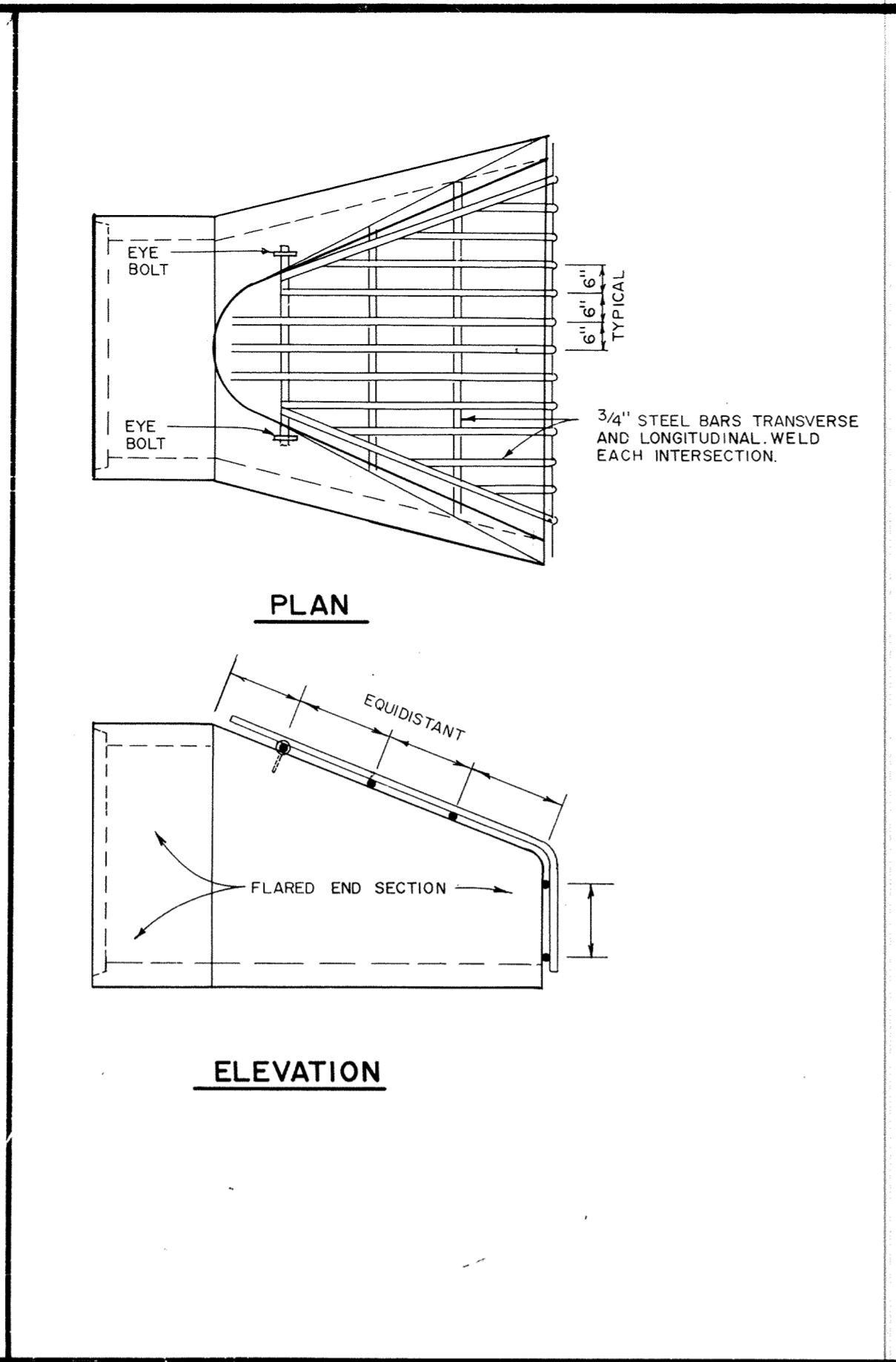
STANDARD MANHOLE



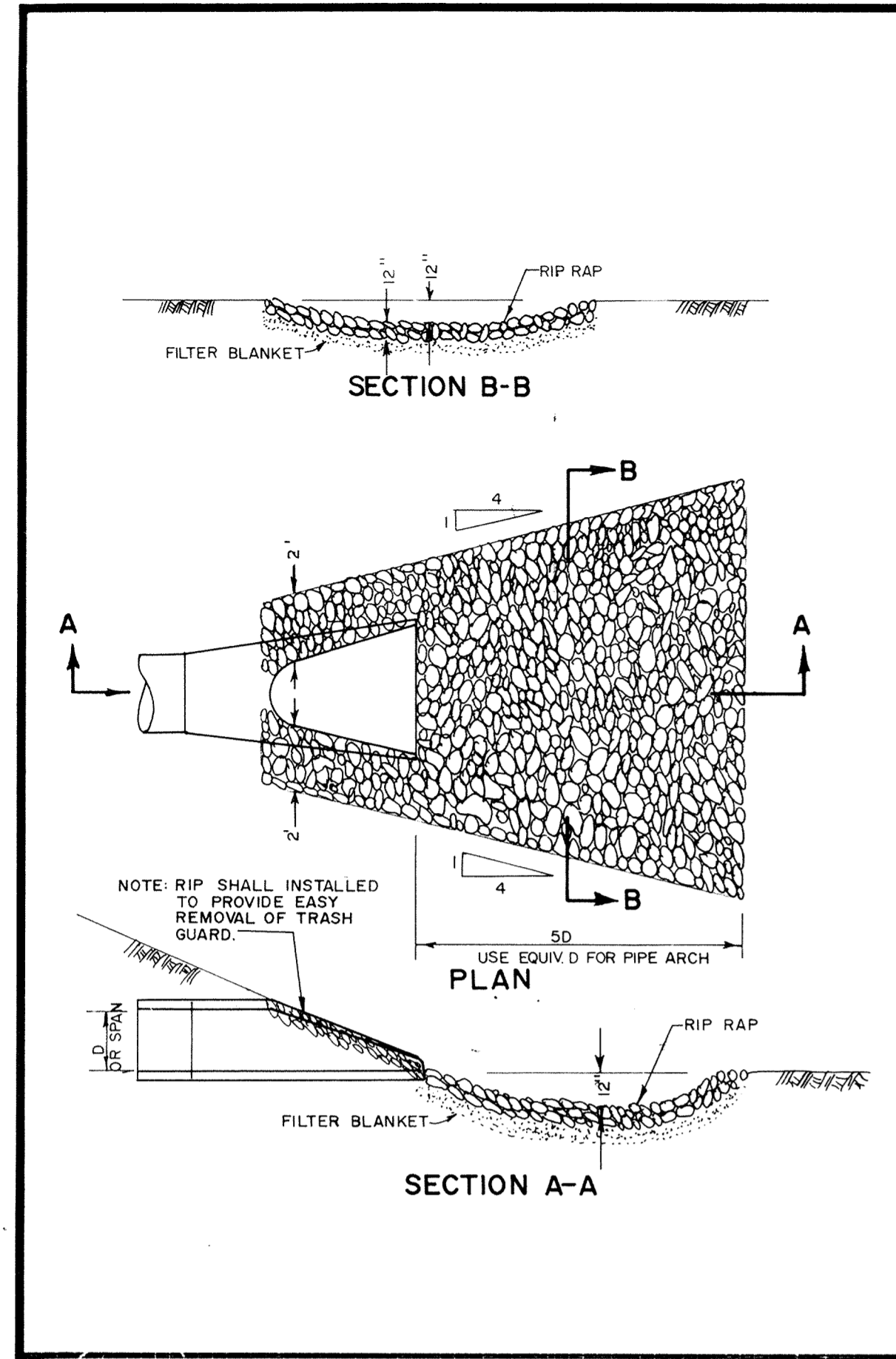
SLAB-TOP MANHOLE



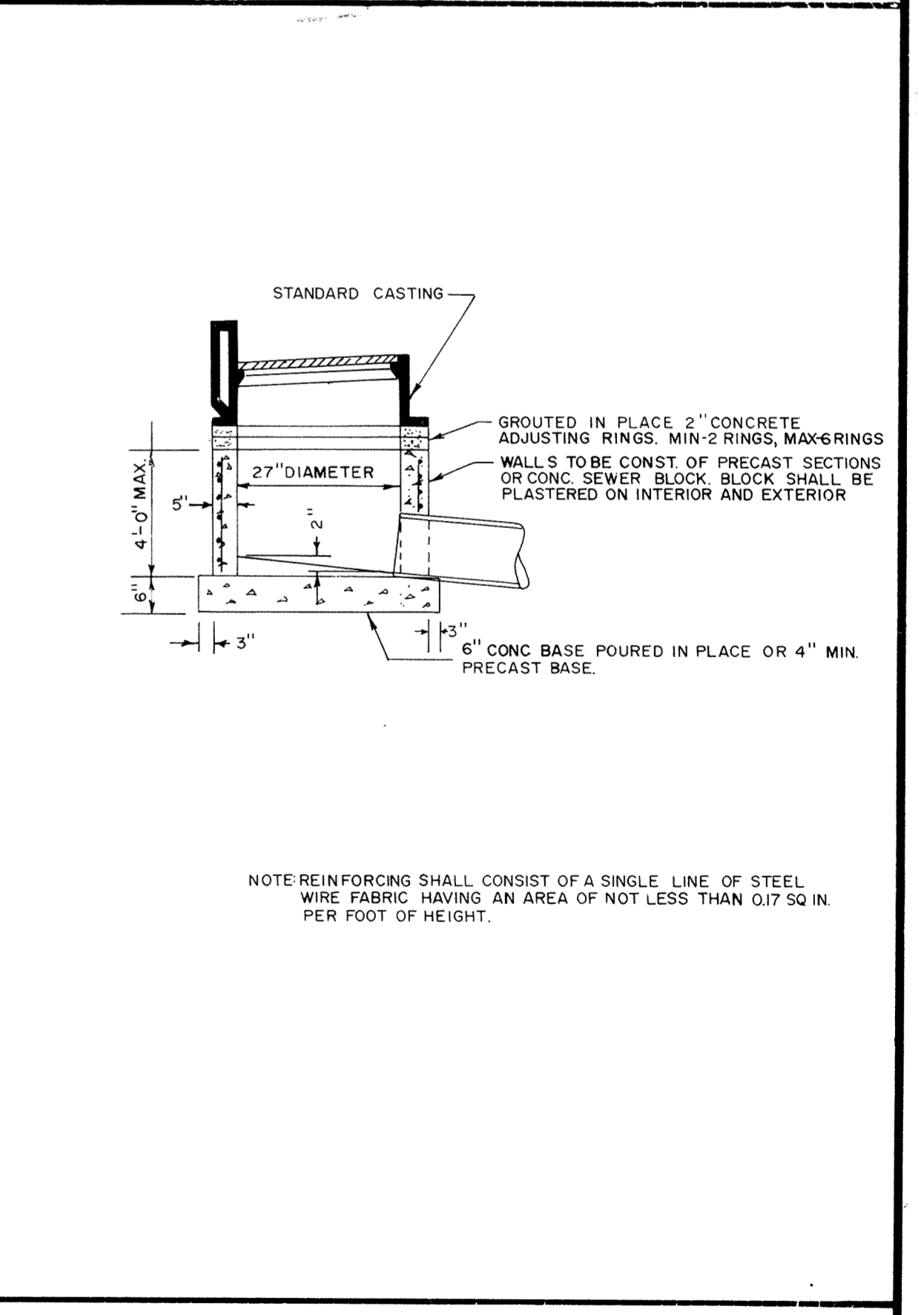
STANDARD MANHOLE CASTING



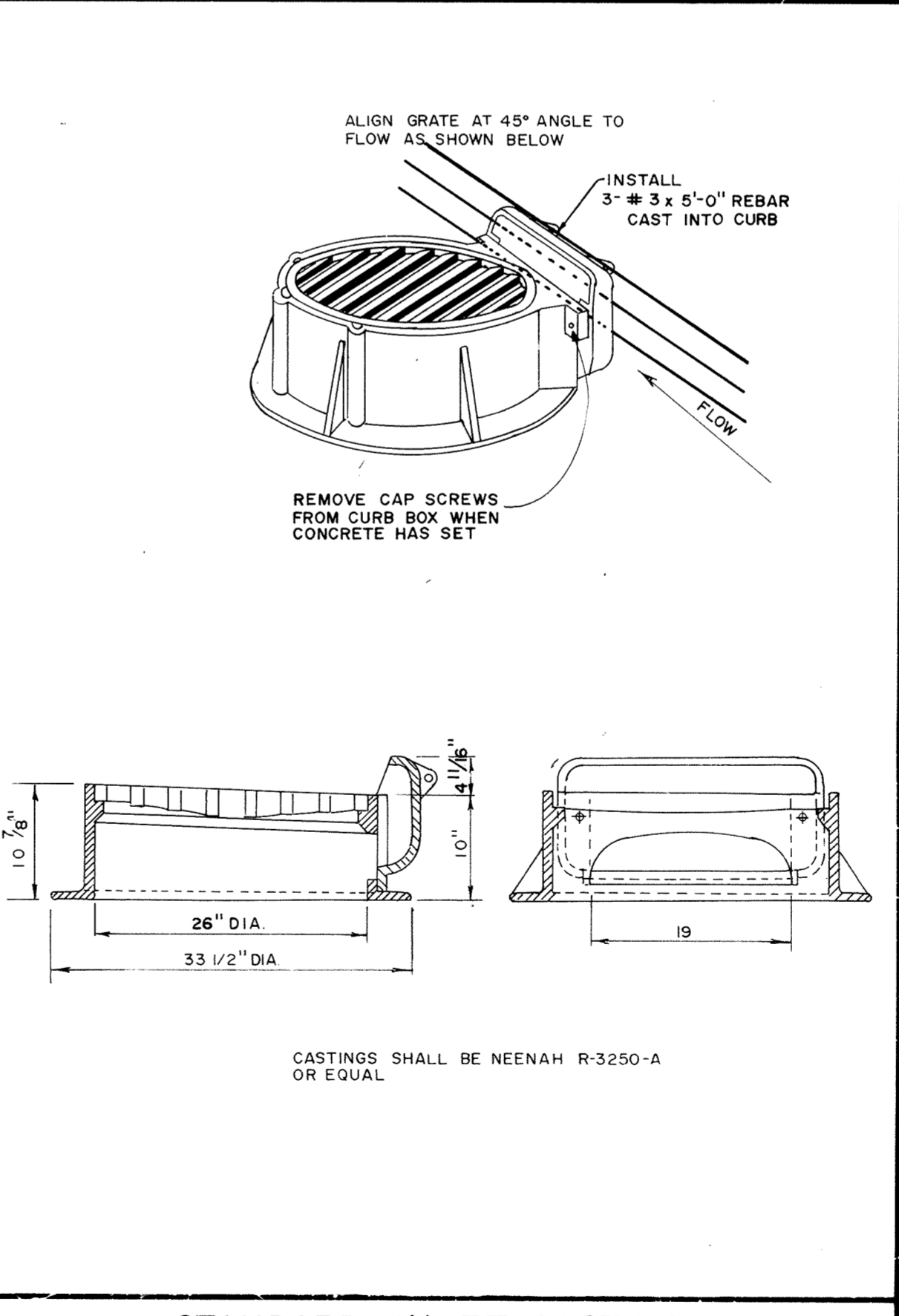
TRASH GUARD



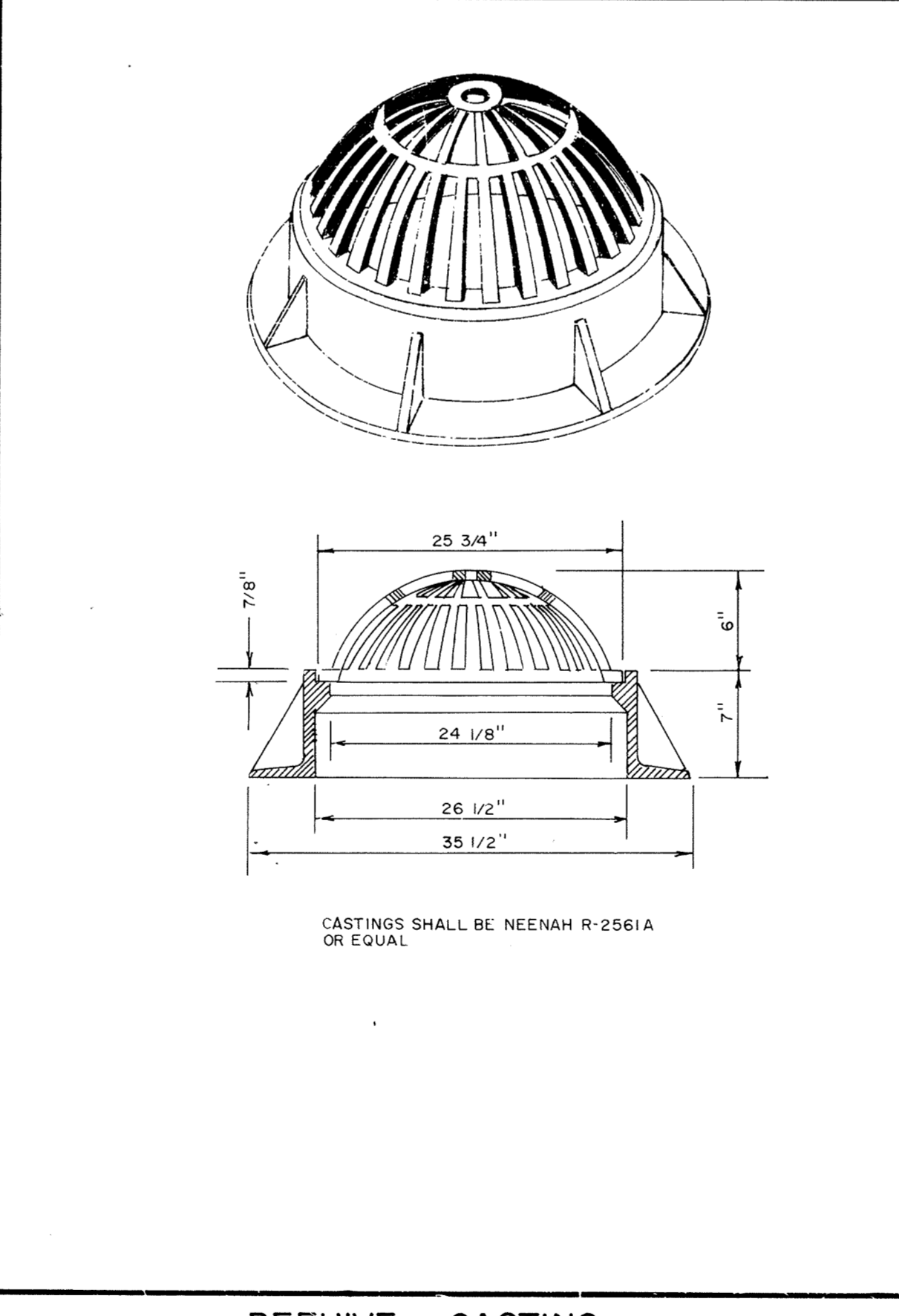
RIP-RAP INSTALLATION



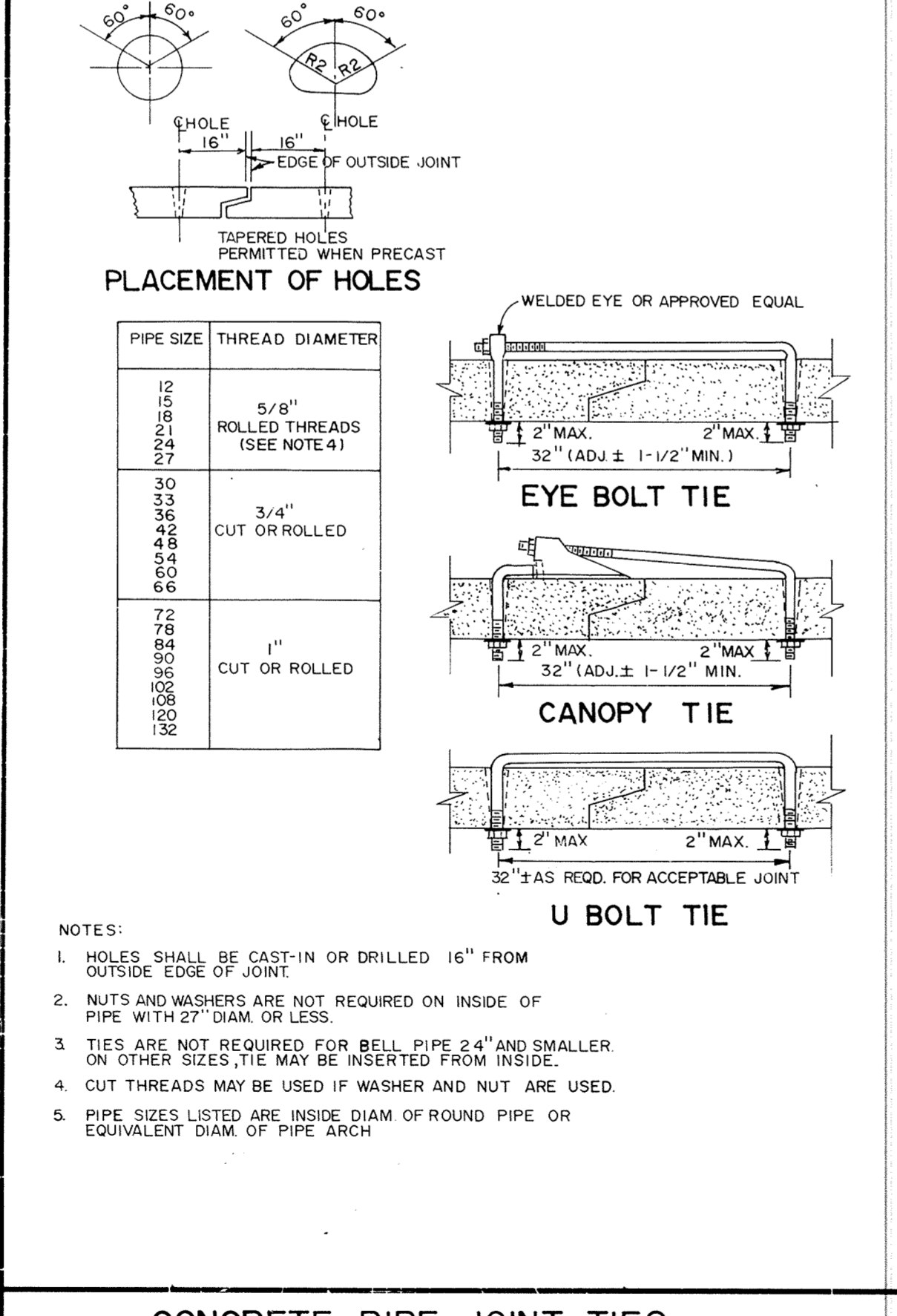
SHALLOW CATCH BASIN



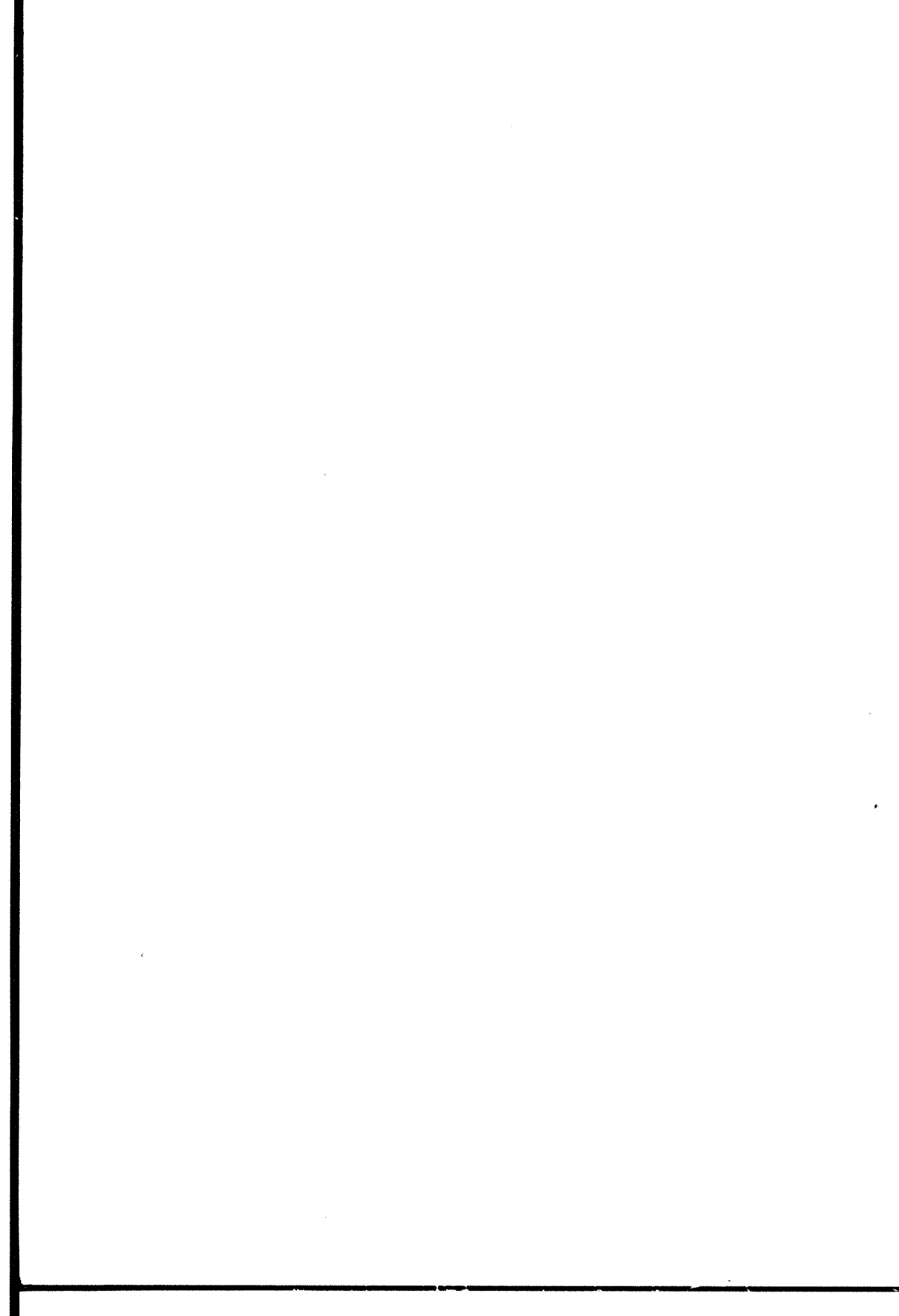
STANDARD INLET CASTING



BEEHIVE CASTING



CONCRETE PIPE JOINT TIES



REVISIONS	DATE	DESCRIPTION	DESIGNED

CHECKED _____ DRAWN MRJ _____ GRAPHIC SCALE 0 HORIZ. NONE 0 VERT. _____	DATE <u>MAR 1991</u> SHEET <u>6</u> OF <u>7</u> SHEETS PROJECT NO. <u>230-102-30</u>
-------------------------------------------------------------------------------------	--------------------------------------------------------------------------------------

**MSA** CONSULTING ENGINEERS  
**Maier Stewart & Associates Inc.**  
 1959 SLOAN PLACE (612) 774-6021 ST. PAUL, MINNESOTA 55117

CITY OF ELK RIVER  
 STORM SEWER DETAILS