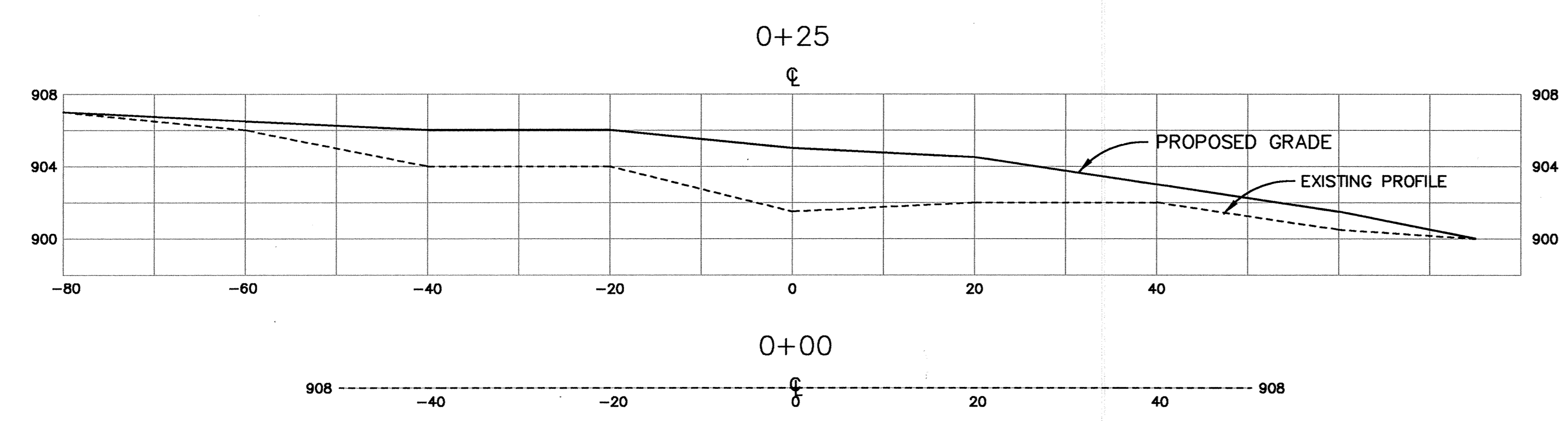
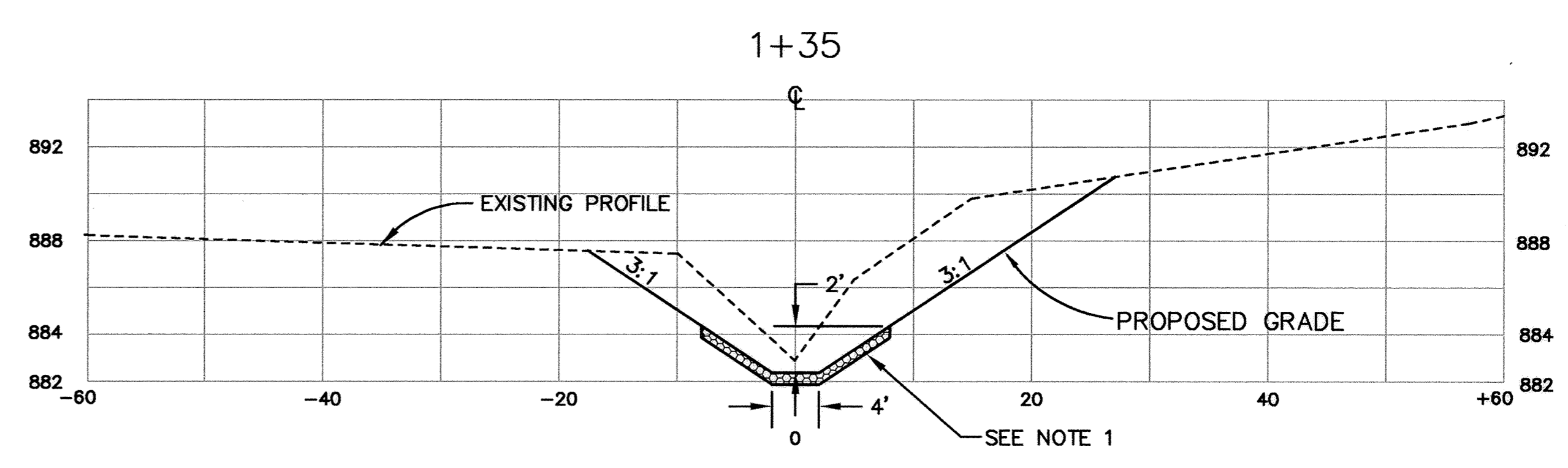
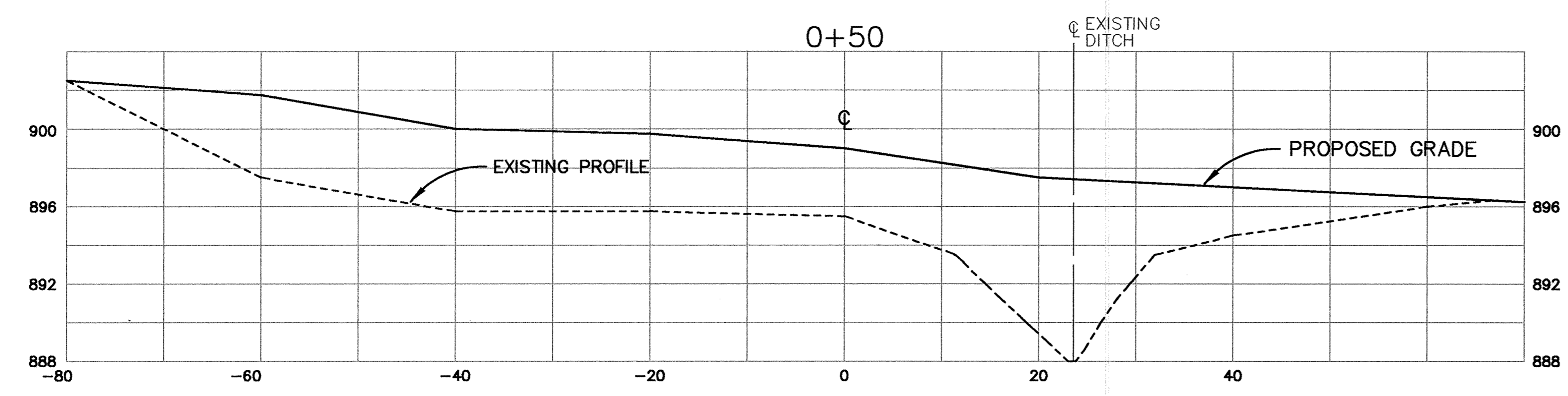
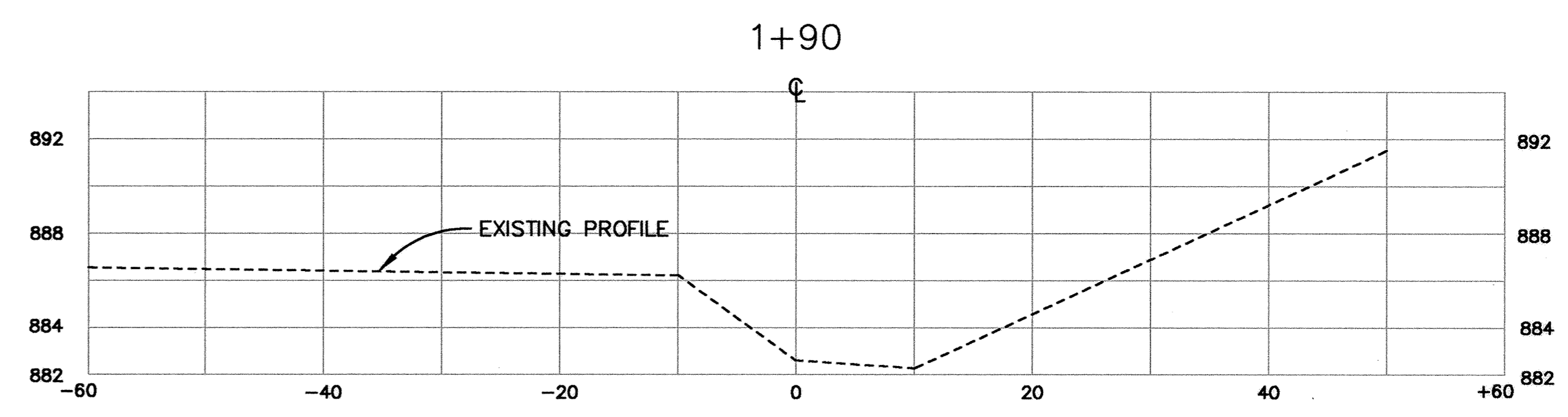
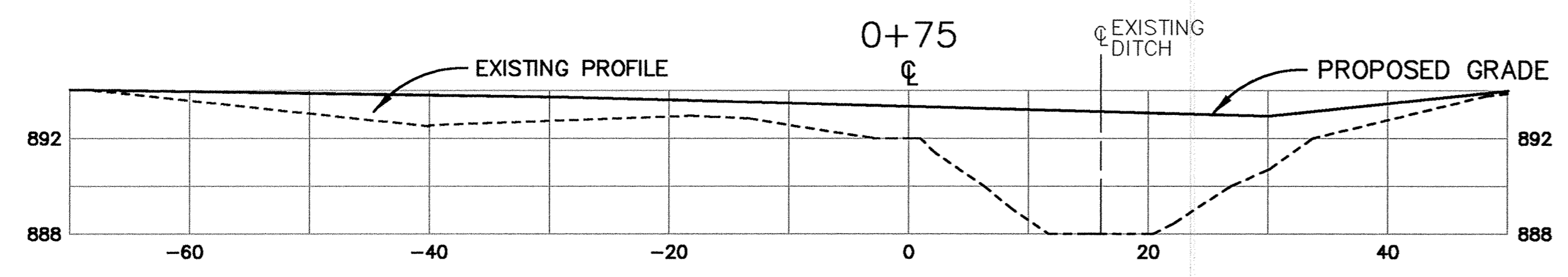
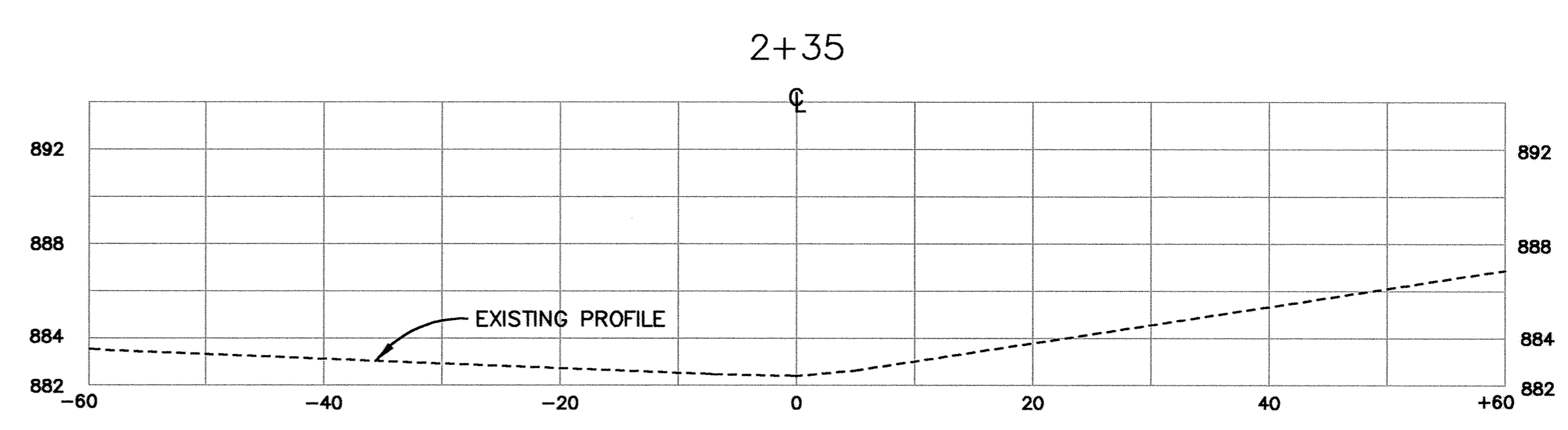
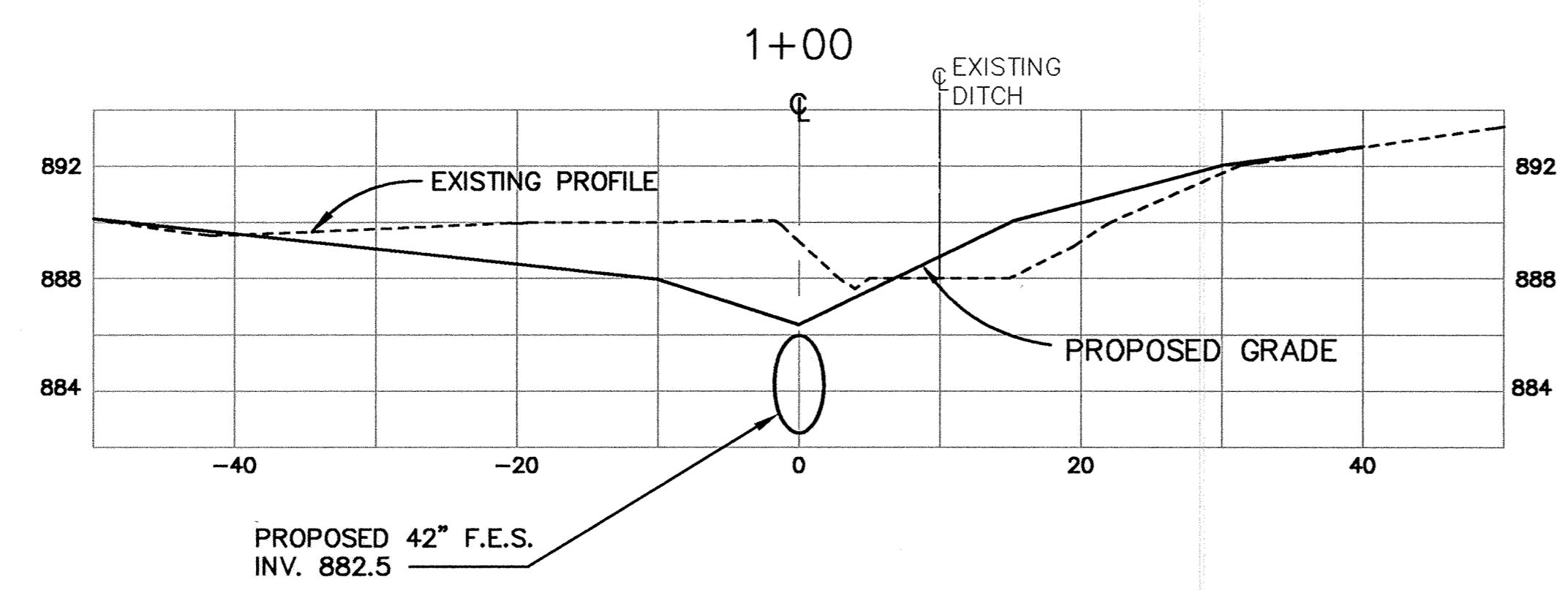
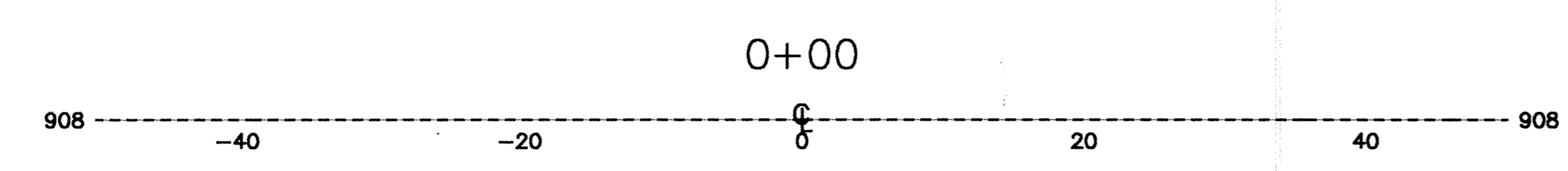
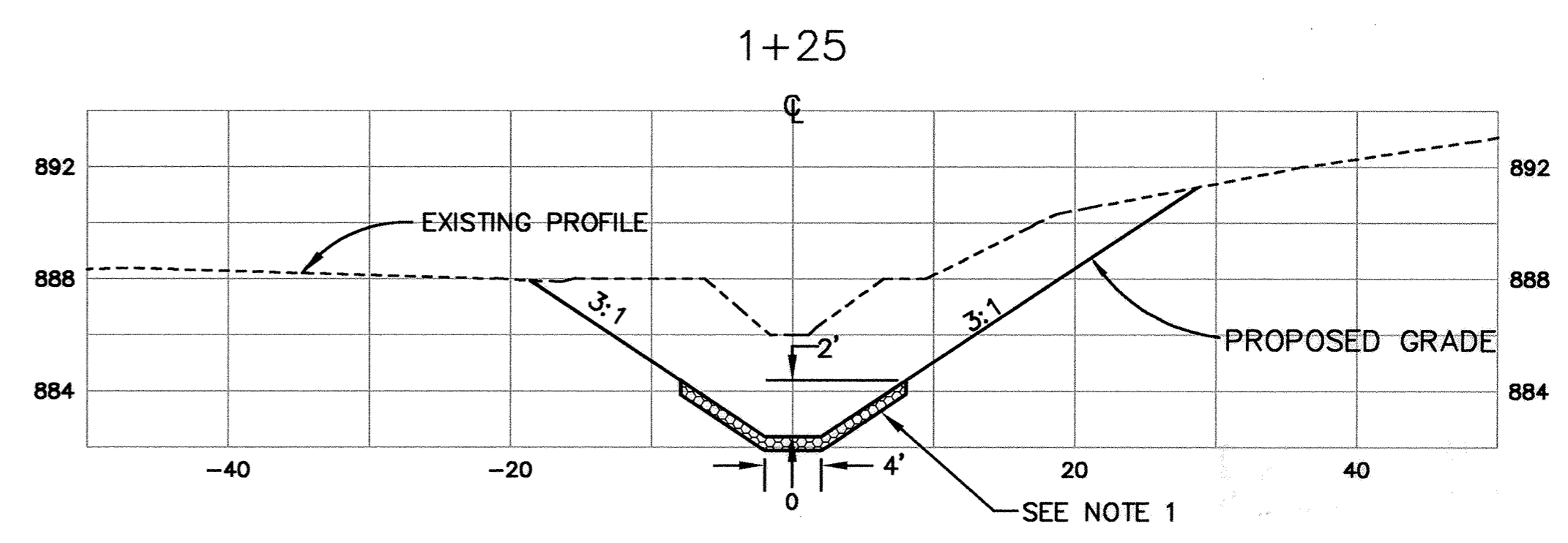


SAECO PROJECTS • NEW URGENT, MINNESOTA
REGISTERED PROFESSIONAL ENGINEER
PROJECT NO. 230-211
DATE APR. 1994



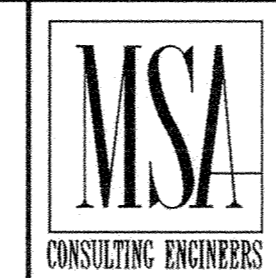
- NOTES:
1. RIP-RAP SHALL BE RANDOM CLASS III 15" NOMINAL THICKNESS
 2. 3:1 DITCH SLOPES SHALL BE SEEDED WITH MN/DOT MIXTURE #500 AND PROTECTED WITH WOOD FIBER BLANKET.
 3. RESTORE DISTURBED UPLAND AREAS WITH 4" TOPSOIL AND SOD.



RECORD PLAN
JANUARY 1996

CITY OF ELK RIVER
COUNTY DITCH NO. 10
CROSS SECTIONS

I HEREBY CERTIFY THAT THIS PLAN, SPECIFICATION, OR REPORT WAS PREPARED BY ME OR UNDER MY DIRECT SUPERVISION AND THAT I AM A DULY REGISTERED PROFESSIONAL ENGINEER UNDER THE LAWS OF THE STATE OF MINNESOTA.
Kevin J. Mauer
DATE 5/12/94 REG. NO. 15314



1326 ENERGY PARK DRIVE
ST. PAUL, MINNESOTA 55108
(612) 644-4389
9800 SHELARD PARKWAY
MINNEAPOLIS, MINNESOTA 55441
(612) 546-0432

REVISIONS	DATE	DESCRIPTION	DESIGNED	CHKD	DRAWN
			DFB	IPC	IPC

GRAPHIC SCALE
0 HORIZ. 10'
0 VERT. 5'

DATE APR. 1994 SHEET 9 OF 11 SHEETS PROJECT NO. 230-211