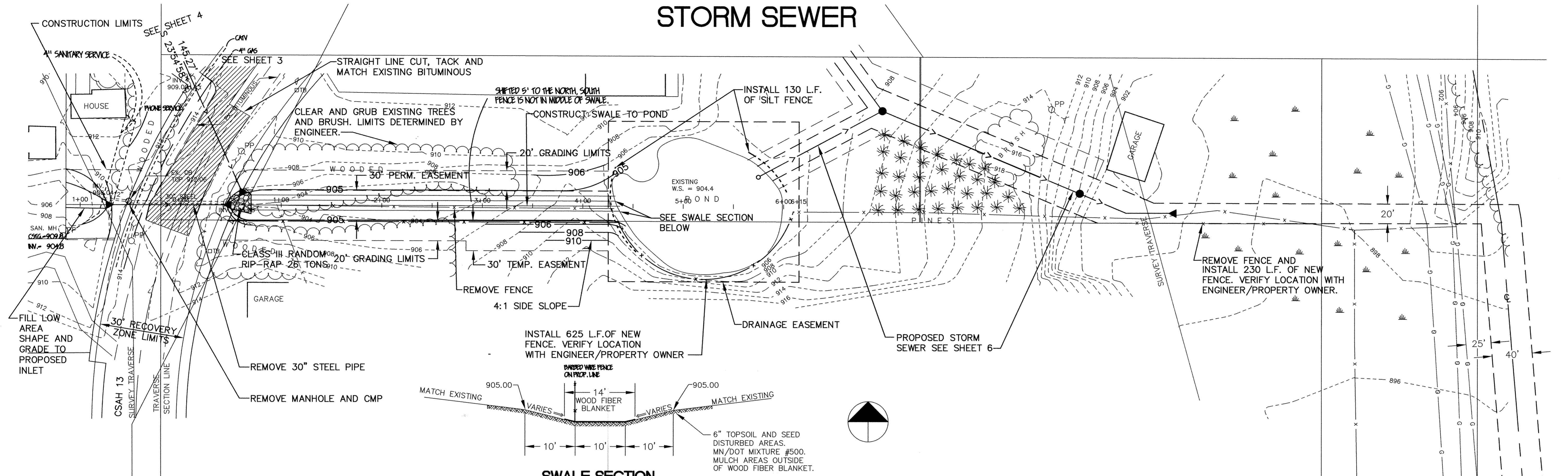
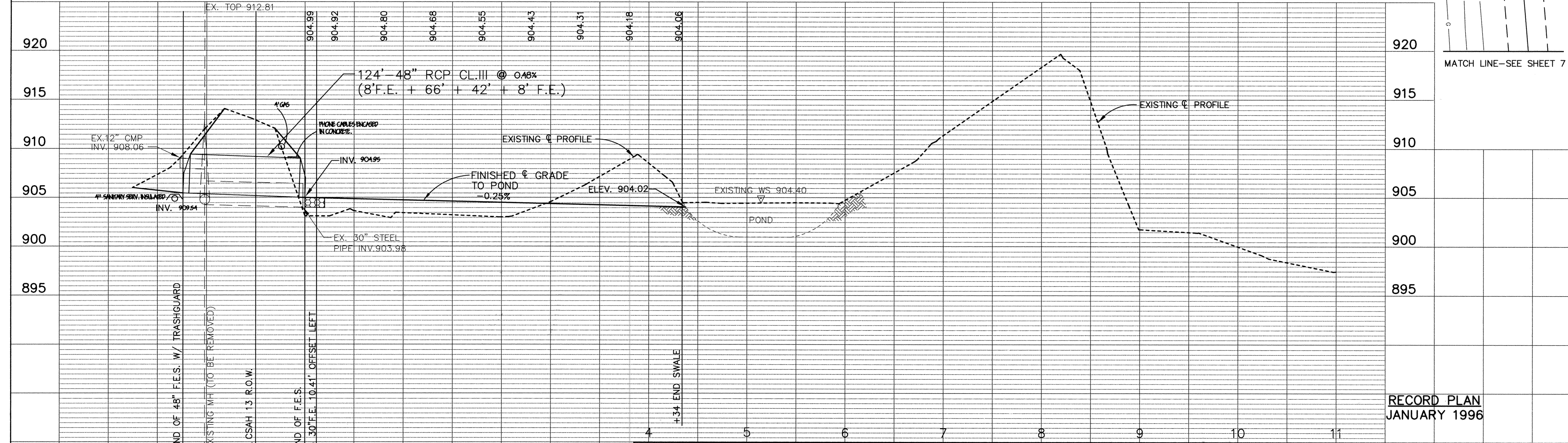
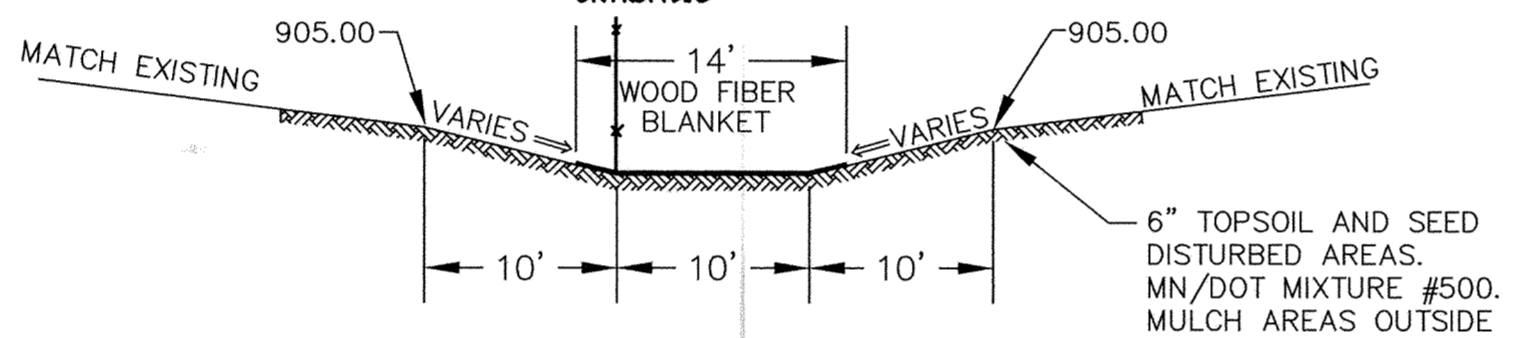


STORM SEWER



SWALE SECTION



RECORD PLAN
JANUARY 1996

I HEREBY CERTIFY THAT THIS PLAN, SPECIFICATION, OR REPORT WAS PREPARED BY ME OR UNDER MY DIRECT SUPERVISION AND THAT I AM A DULY REGISTERED PROFESSIONAL ENGINEER UNDER THE LAWS OF THE STATE OF MINNESOTA.
 DATE 5/12/94 REG. NO. 15316



1326 ENERGY PARK DRIVE
 ST. PAUL, MINNESOTA 55108
 (612) 644-4389
 9800 SHELARD PARKWAY
 MINNEAPOLIS, MINNESOTA 55441
 (612) 546-0432

REVISIONS	DATE	DESCRIPTION	DESIGNED	DEN.

CITY OF ELK RIVER		STORM SEWER IMPROVEMENTS	
DATE	APR, 1994	SHEET	5 OF 11 SHEETS
PROJECT NO.	230-211		