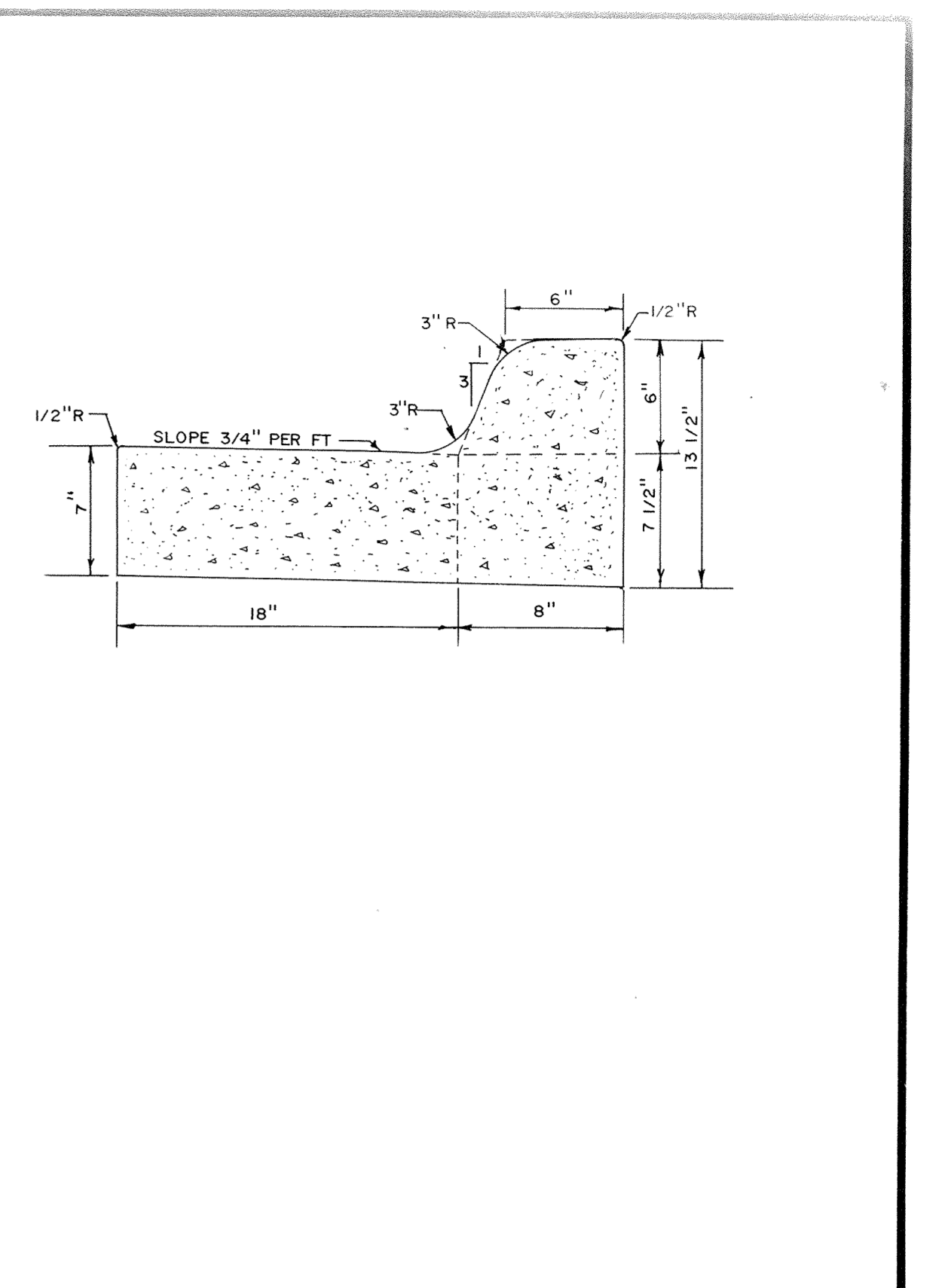


PROJECTS • NEW TOWN, MINNESOTA  
 14 000000 (BY PART NUMBER 0000)

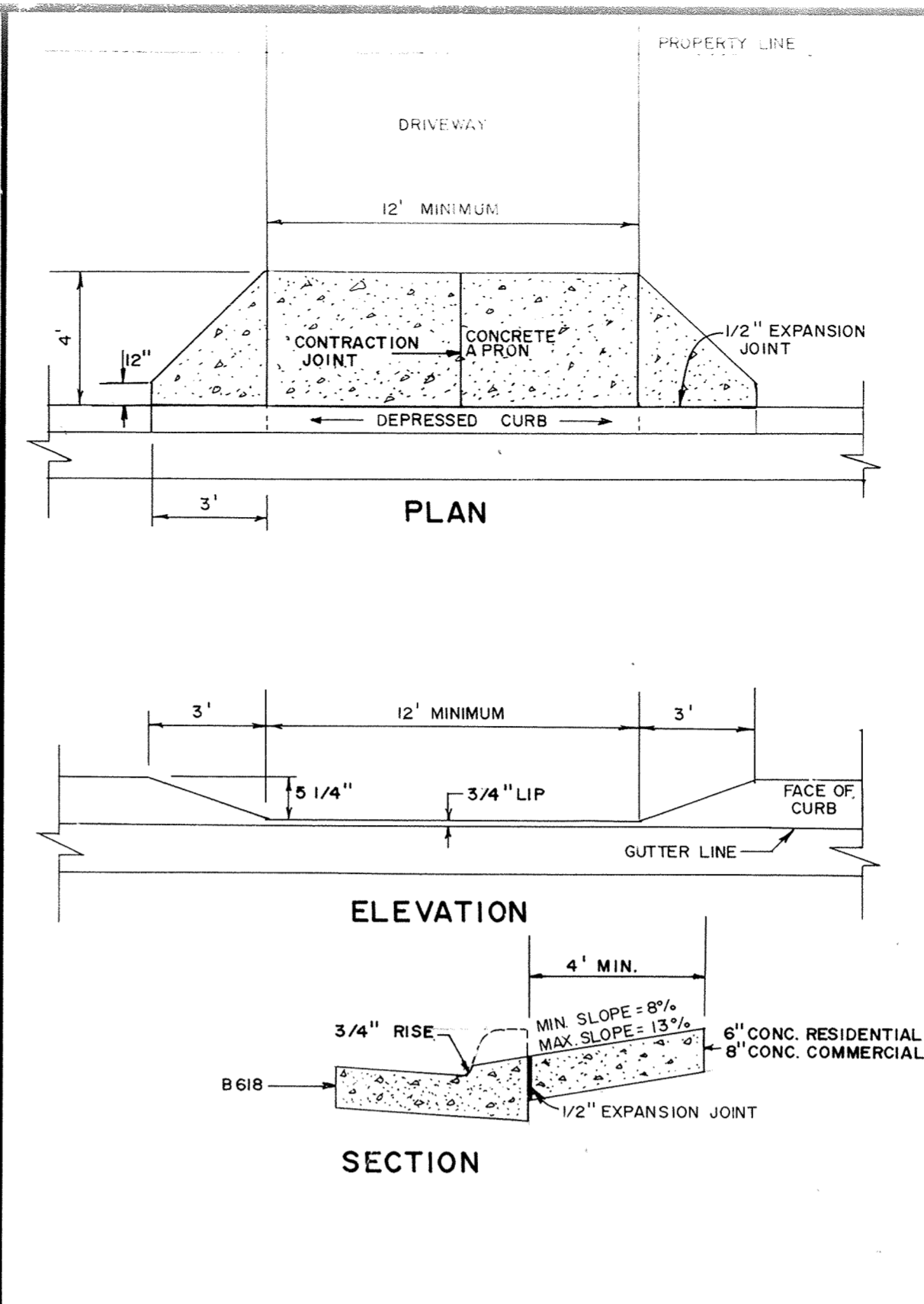
PROJECTS • NEW TOWN, MINNESOTA  
 14 000000 (BY PART NUMBER 0000)

PROJECTS • NEW TOWN, MINNESOTA  
 14 000000 (BY PART NUMBER 0000)

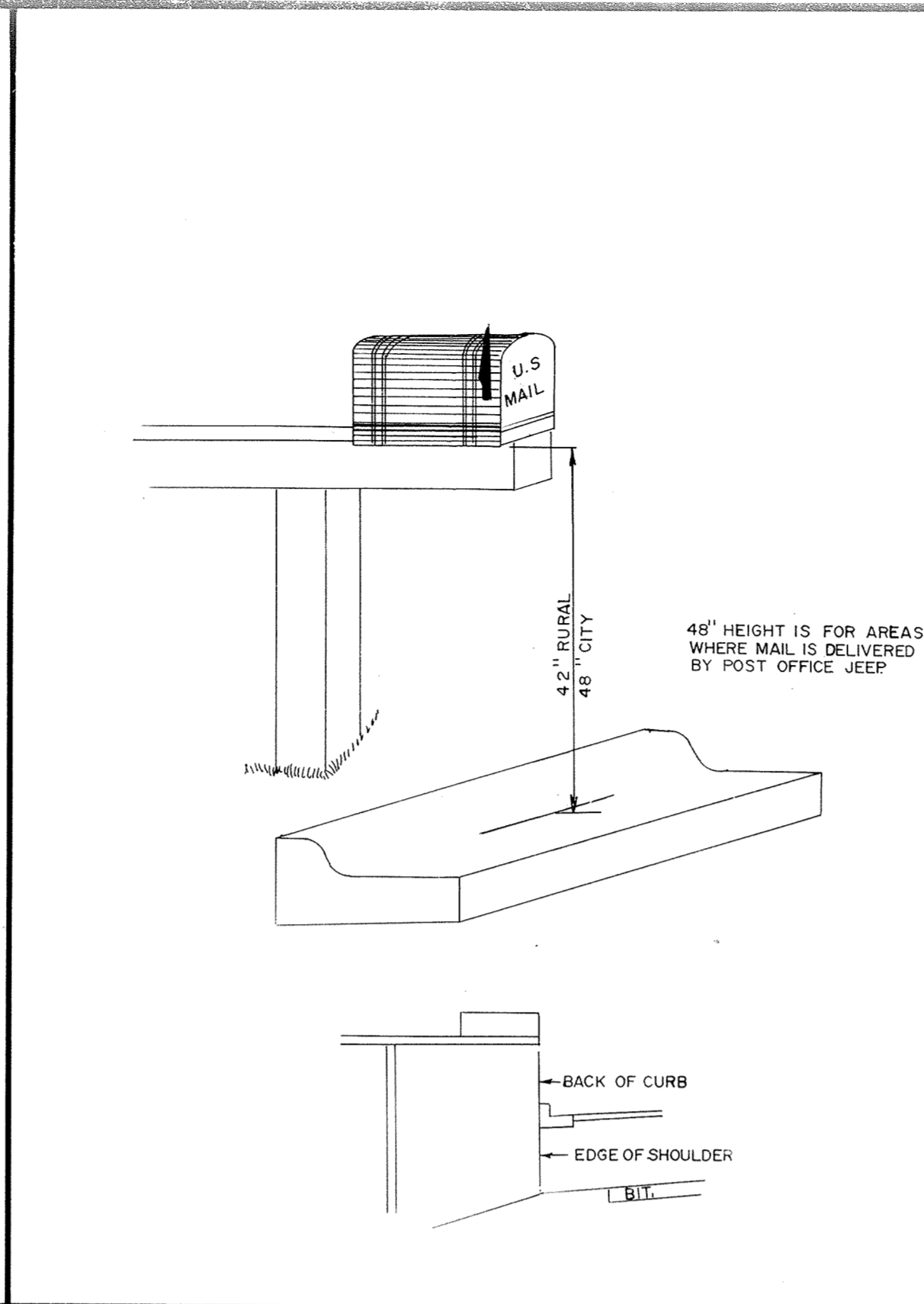
PROJECTS • NEW TOWN, MINNESOTA  
 14 000000 (BY PART NUMBER 0000)



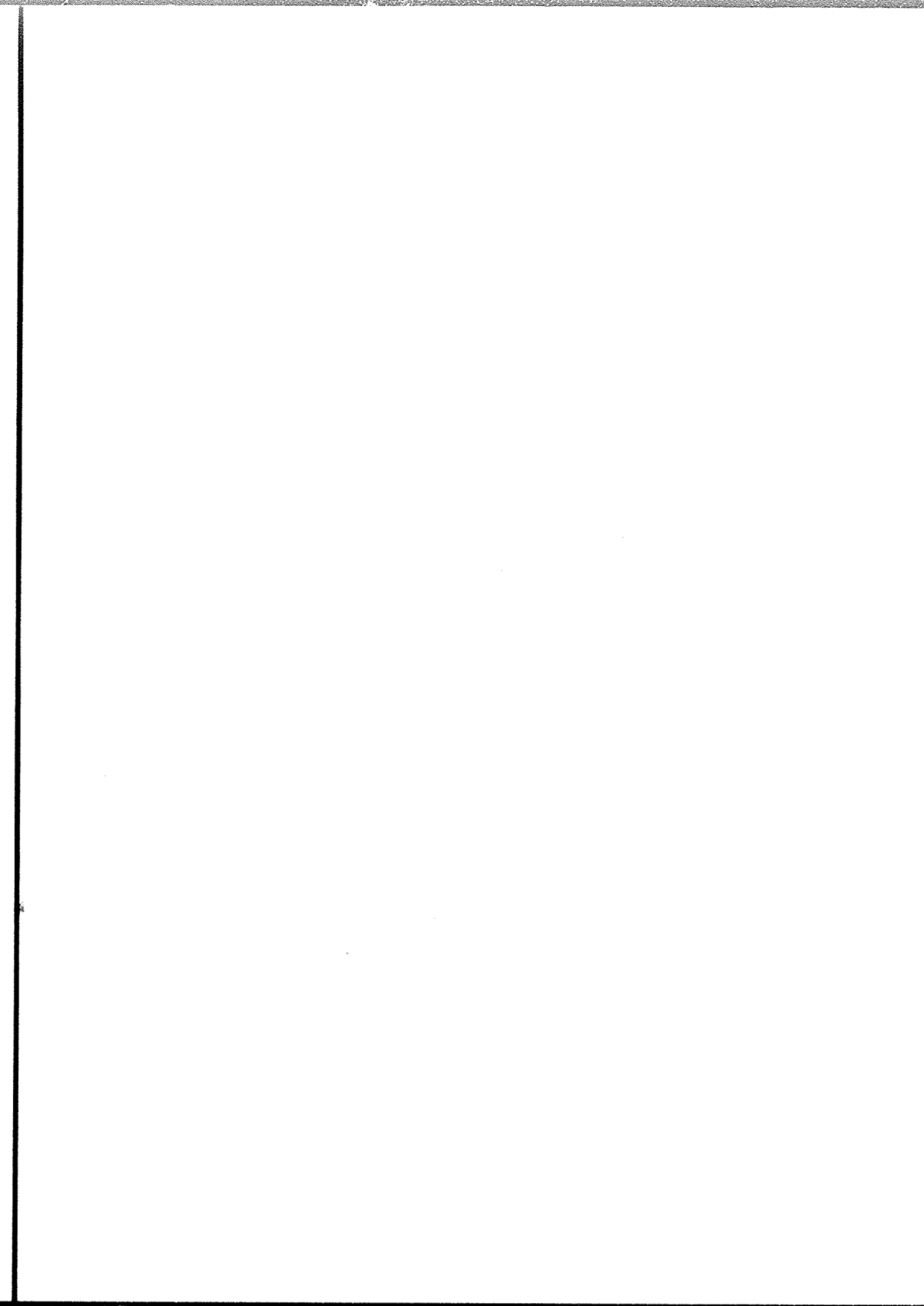
CONCRETE CURB AND GUTTER B618



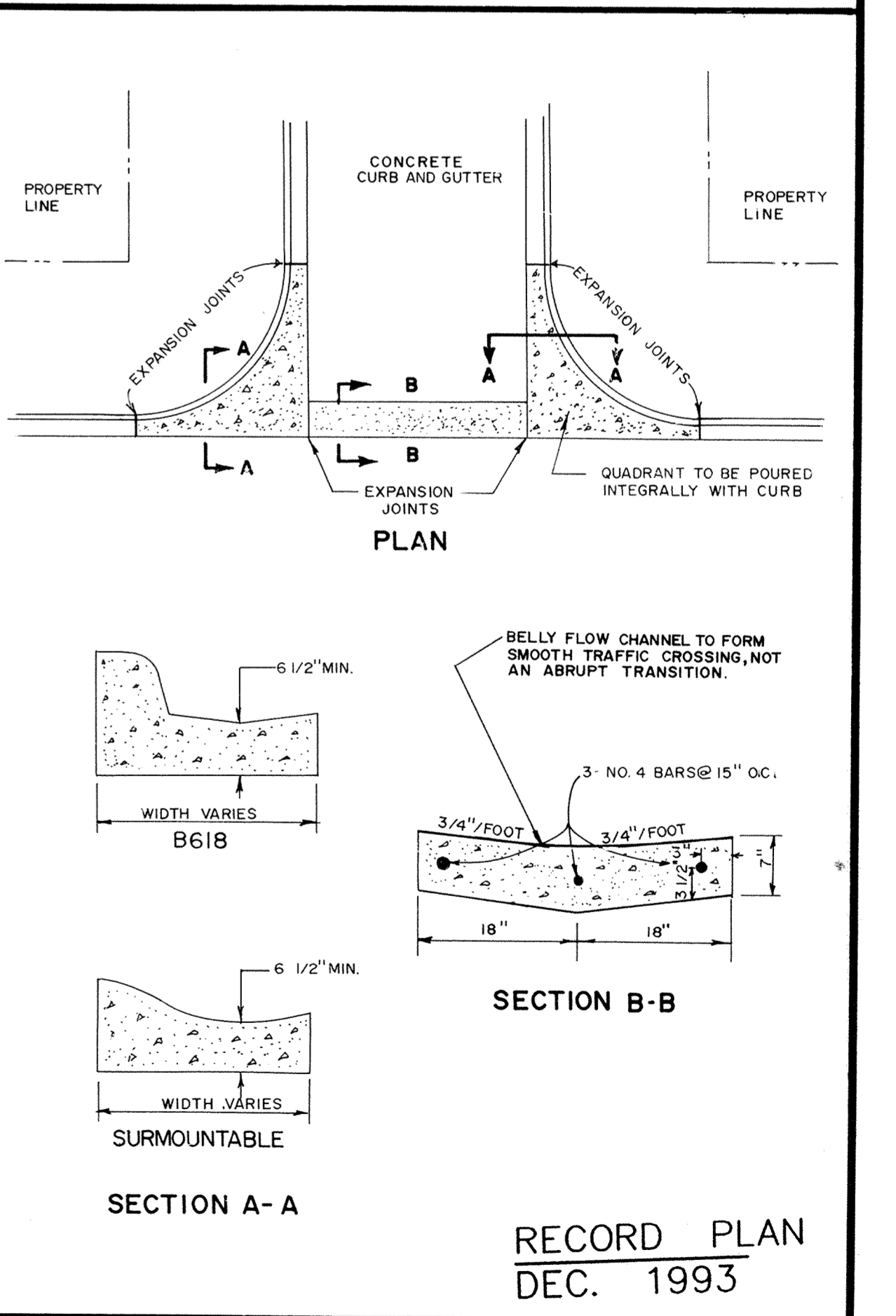
DEPRESSED CURB W/DRIVEWAY APRON



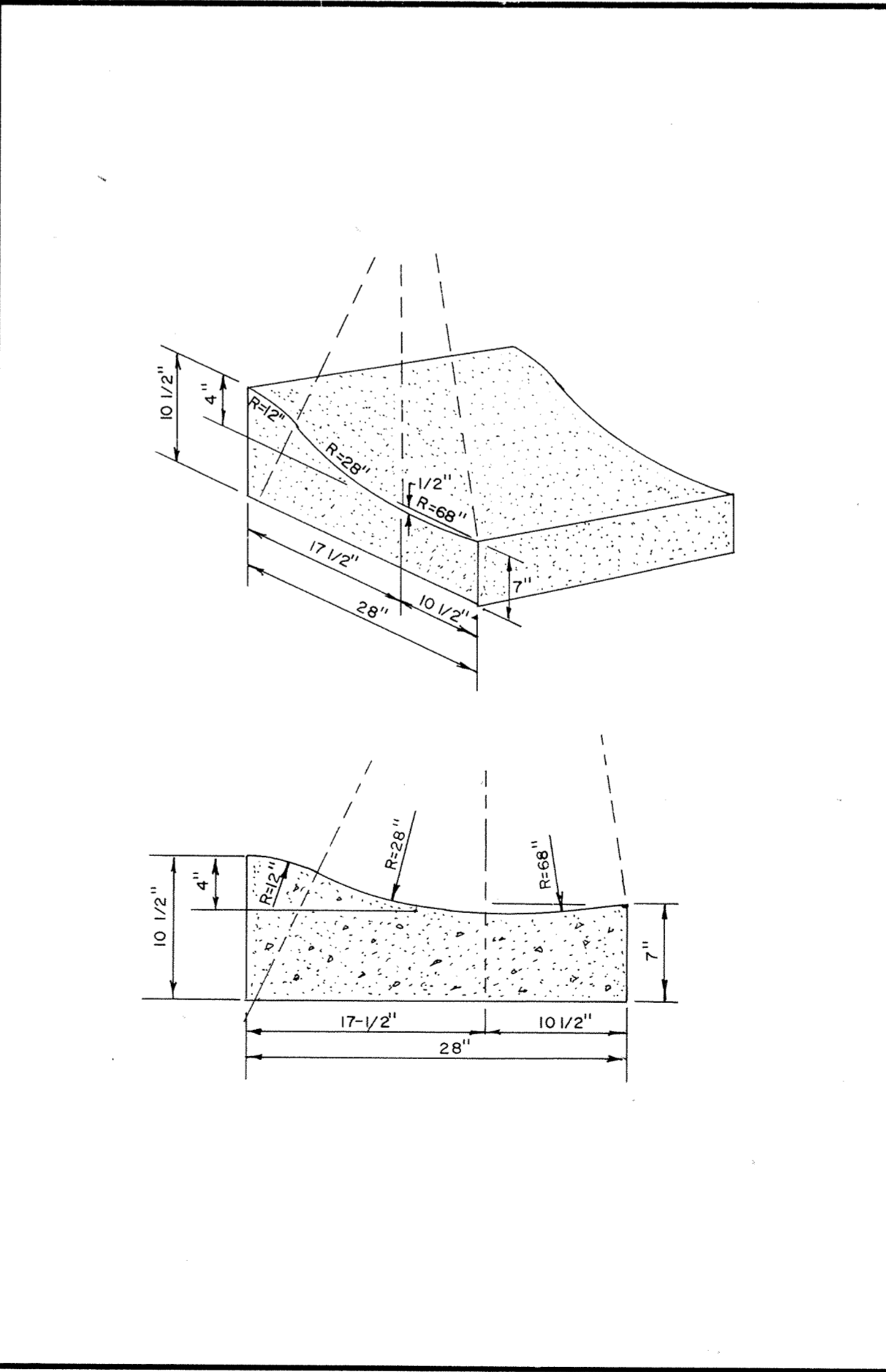
MAIL BOX



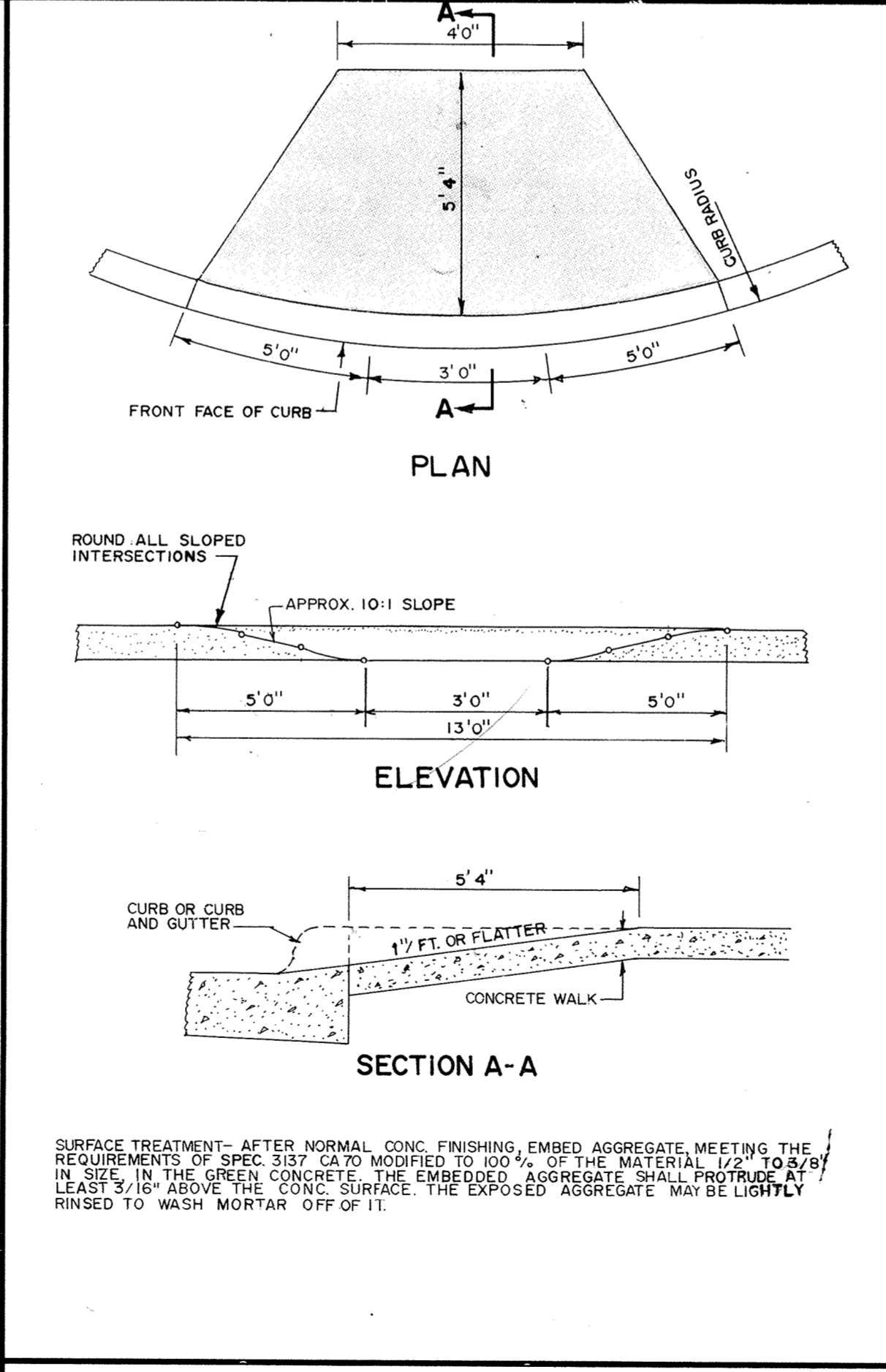
RURAL DRIVEWAY ENTRANCE



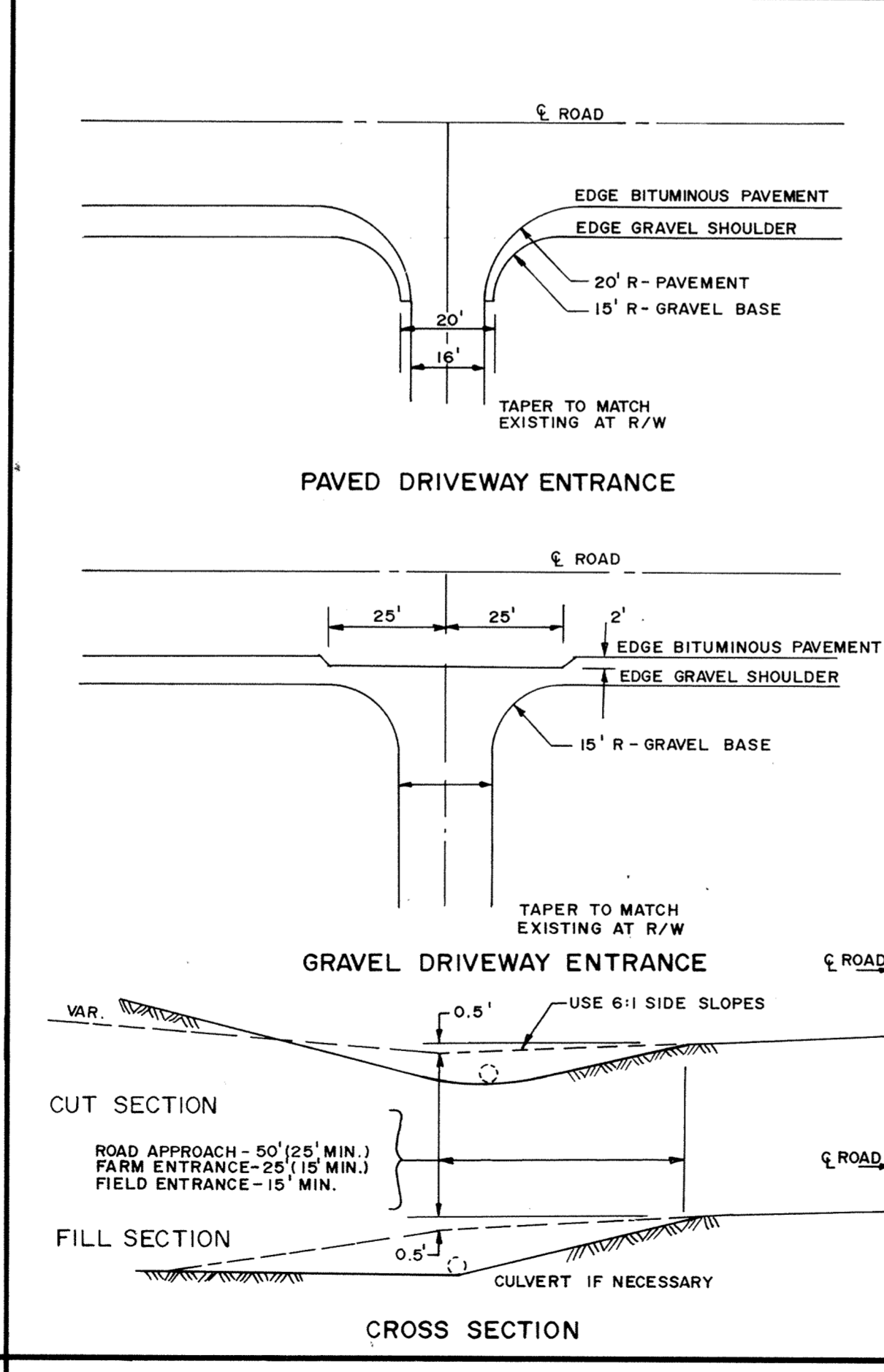
CONCRETE "V" GUTTER



SURMOUNTABLE CONCRETE CURB AND GUTTER



PEDESTRIAN CURB RAMPS



PAVED DRIVEWAY ENTRANCE  
 GRAVEL DRIVEWAY ENTRANCE

DATE <u>AUG., 1992</u>		SHEET <u>10</u> OF <u>10</u> SHEETS		PROJECT NO. <u>230-146</u>	
CITY OF ELK RIVER STREET CONSTRUCTION DETAILS					

REVISIONS	DATE	DESCRIPTION	DESIGNED
	CHECKED		
			DRAWN
			GRAPHIC SCALE
			0 HORIZ. NONE
			0 VERT.

**MSA** CONSULTING ENGINEERS  
**Maier Stewart & Associates Inc.**  
 1959 SLOAN PLACE (612) 774-6021 ST. PAUL, MINNESOTA 55117