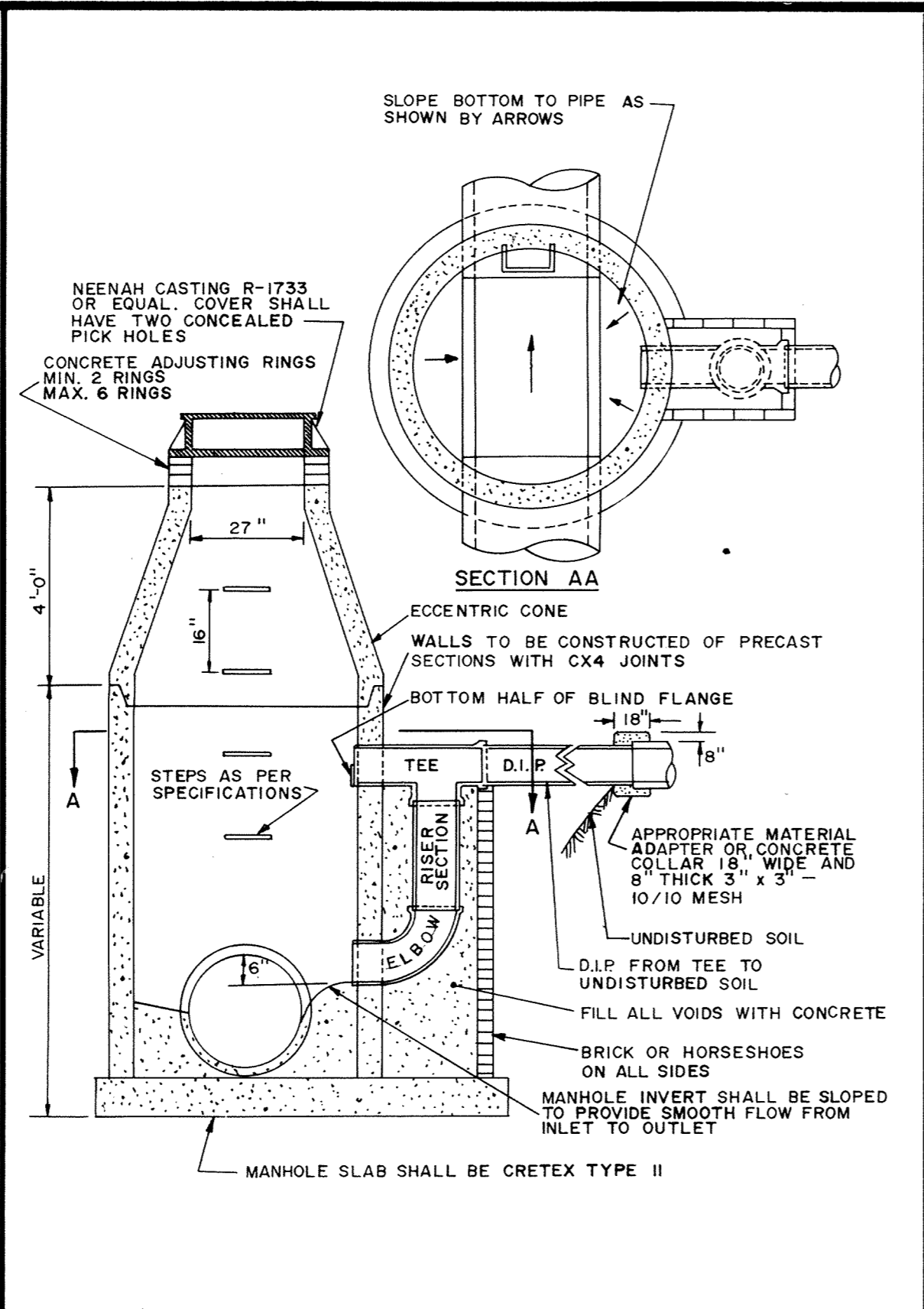
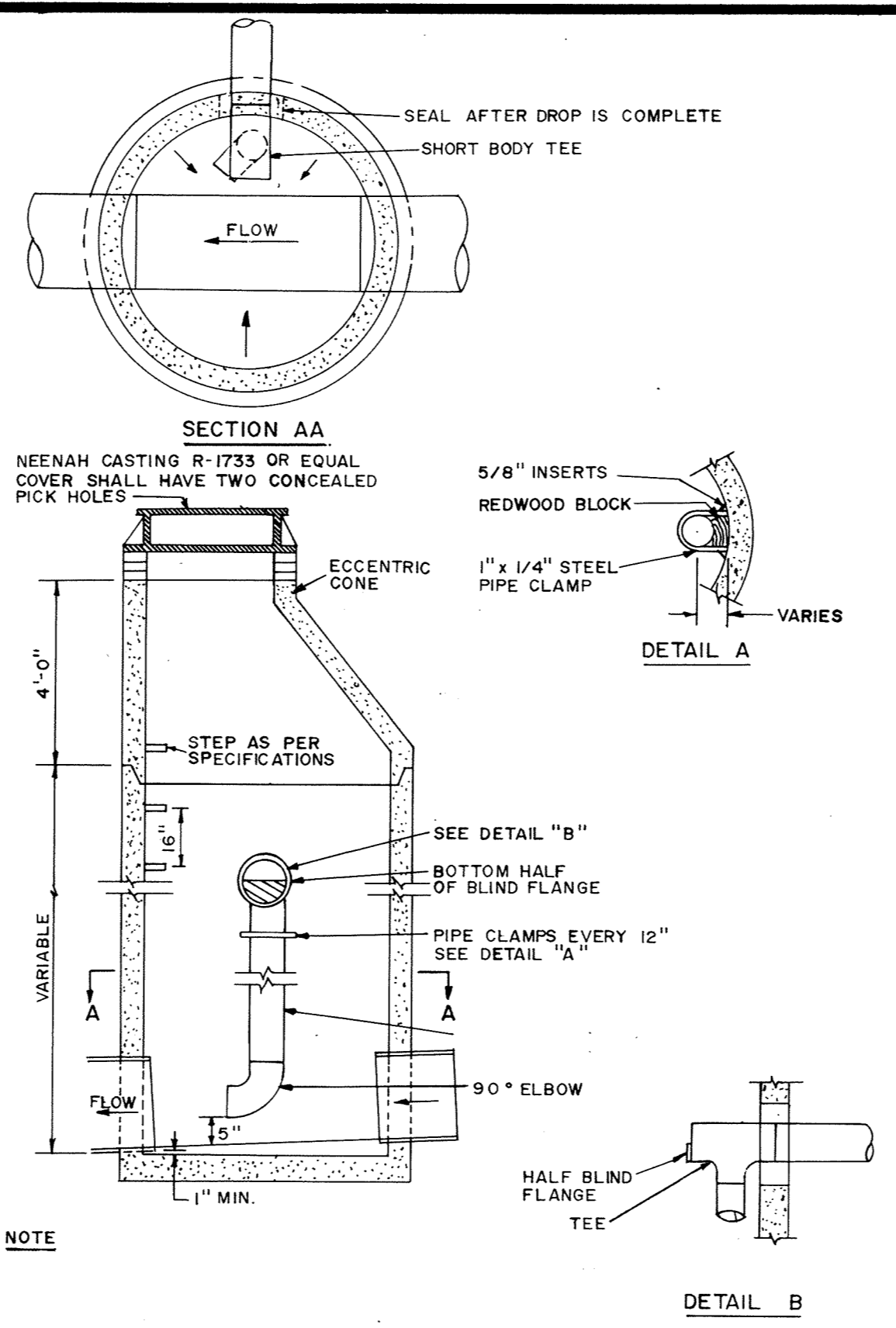


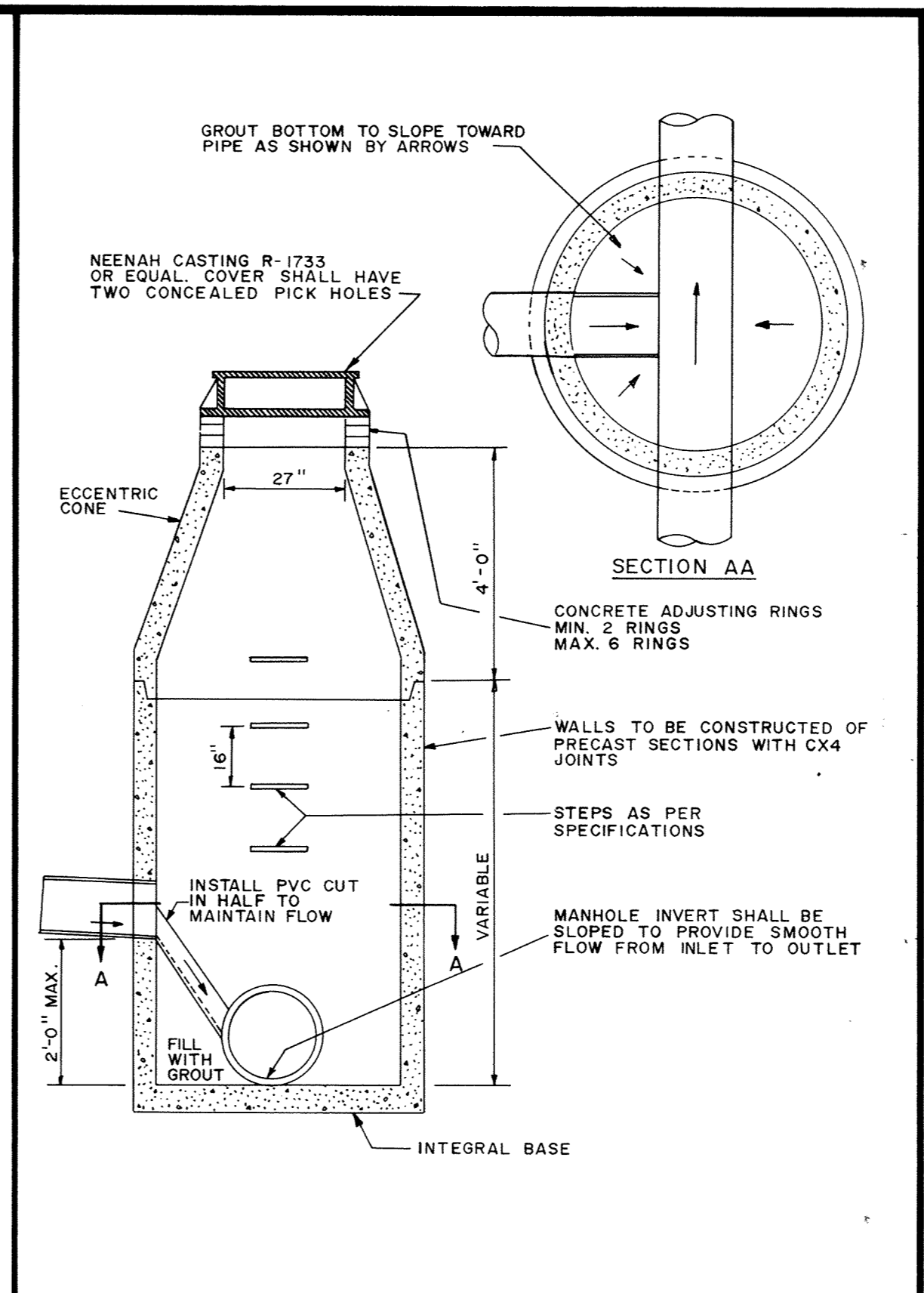
STANDARD AIR RELIEF MANHOLE



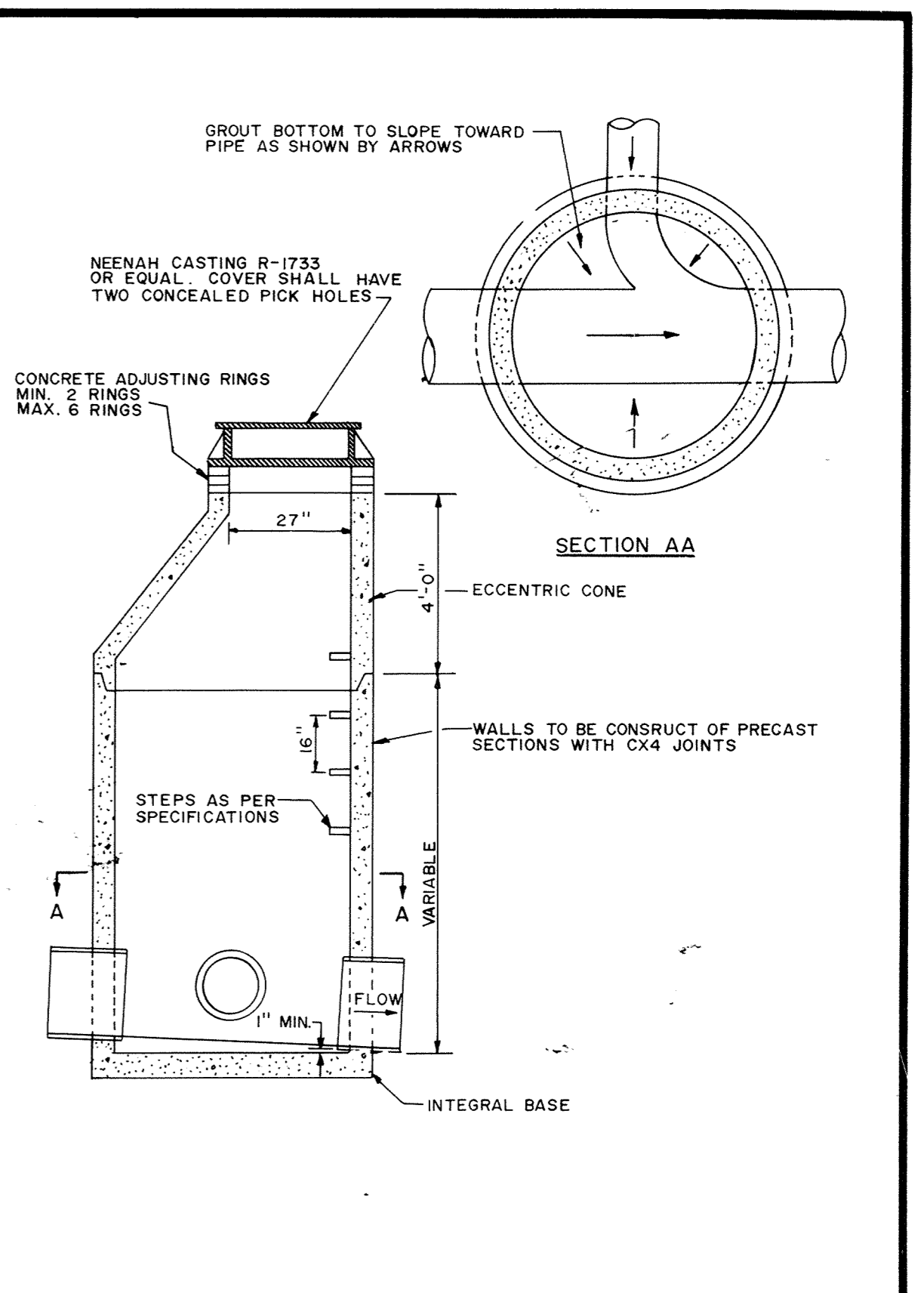
OUTSIDE DROP MANHOLE



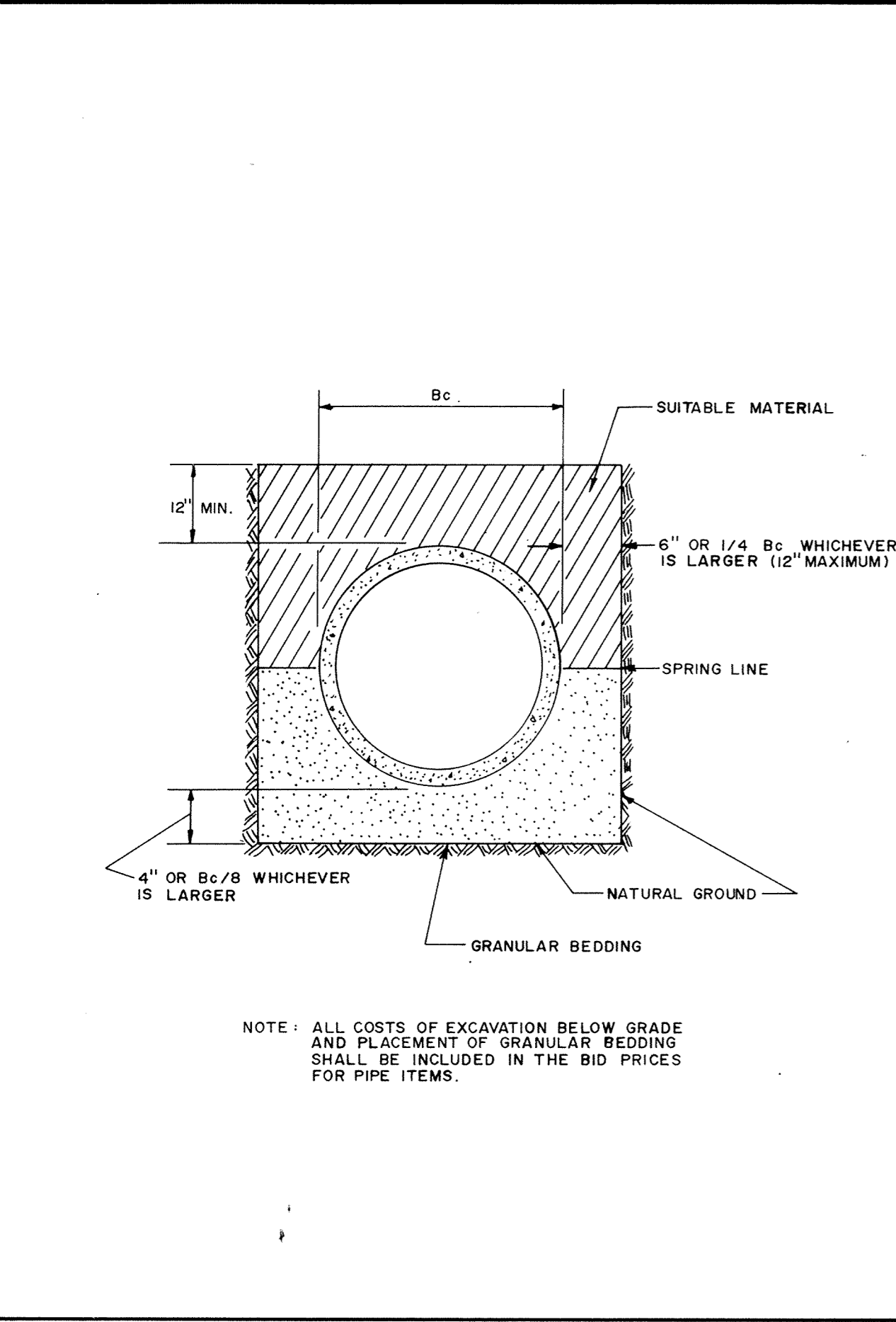
INSIDE DROP MANHOLE



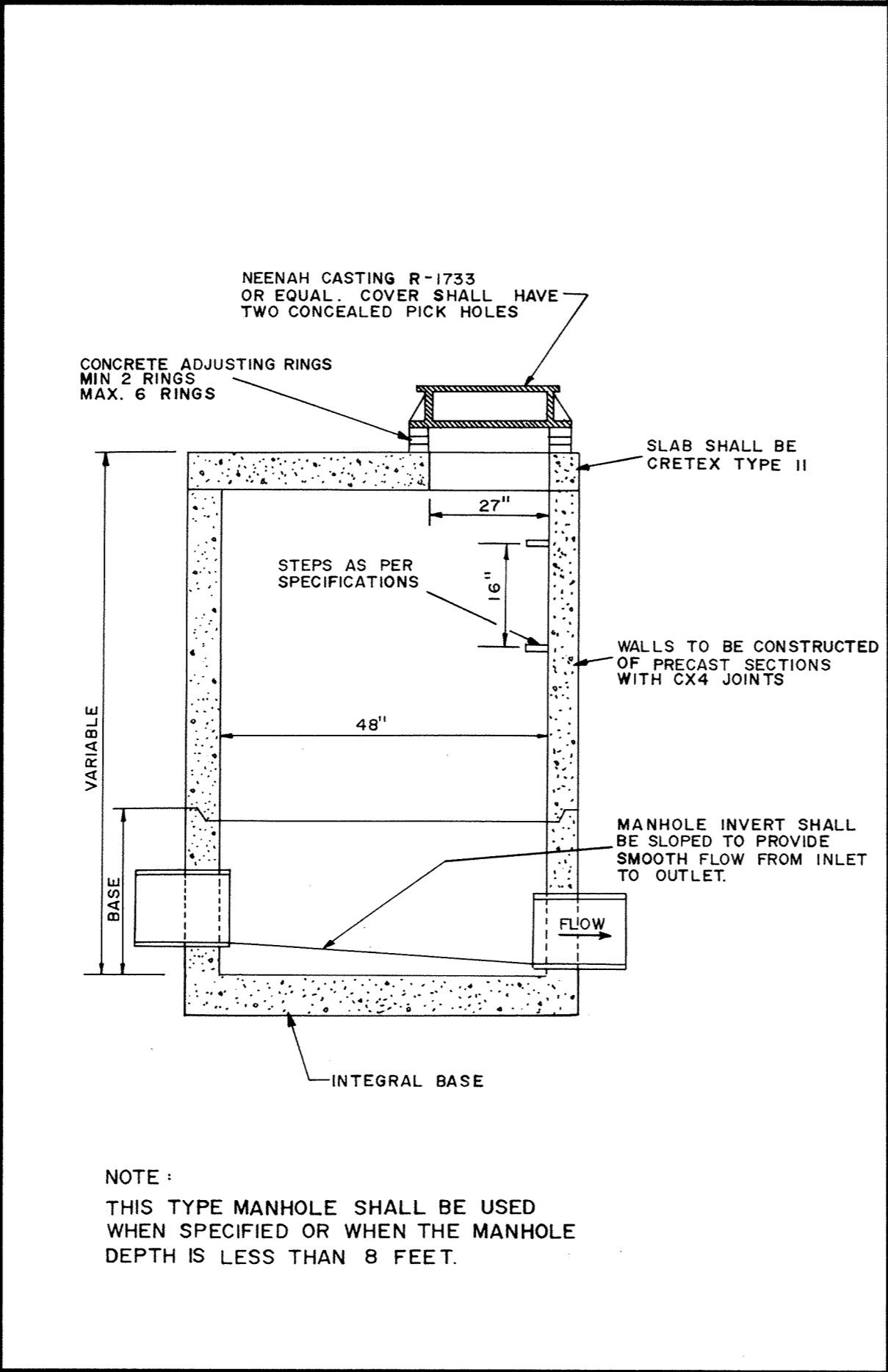
INSIDE DROP MANHOLE (2 FEET OR LESS)



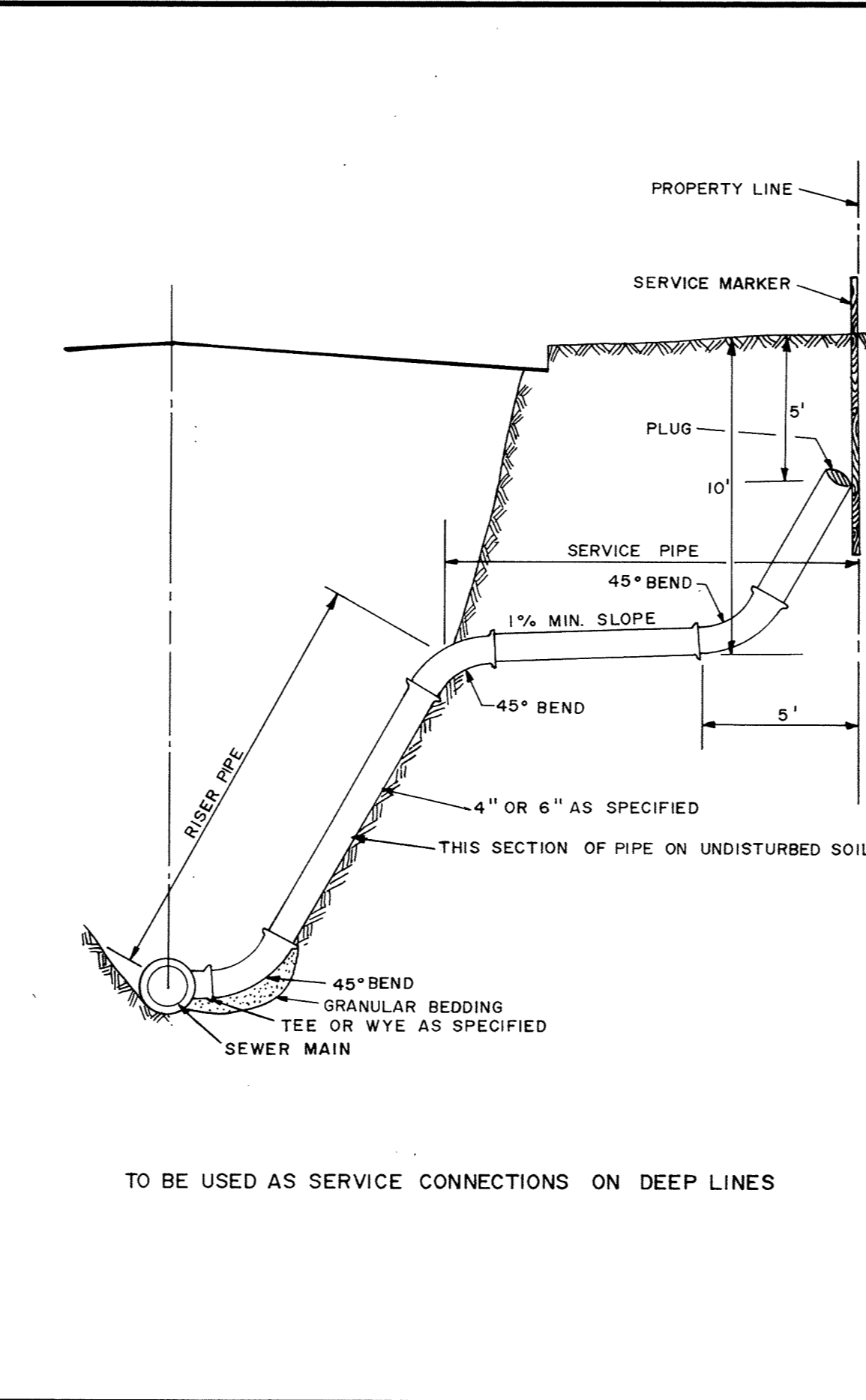
STANDARD MANHOLE



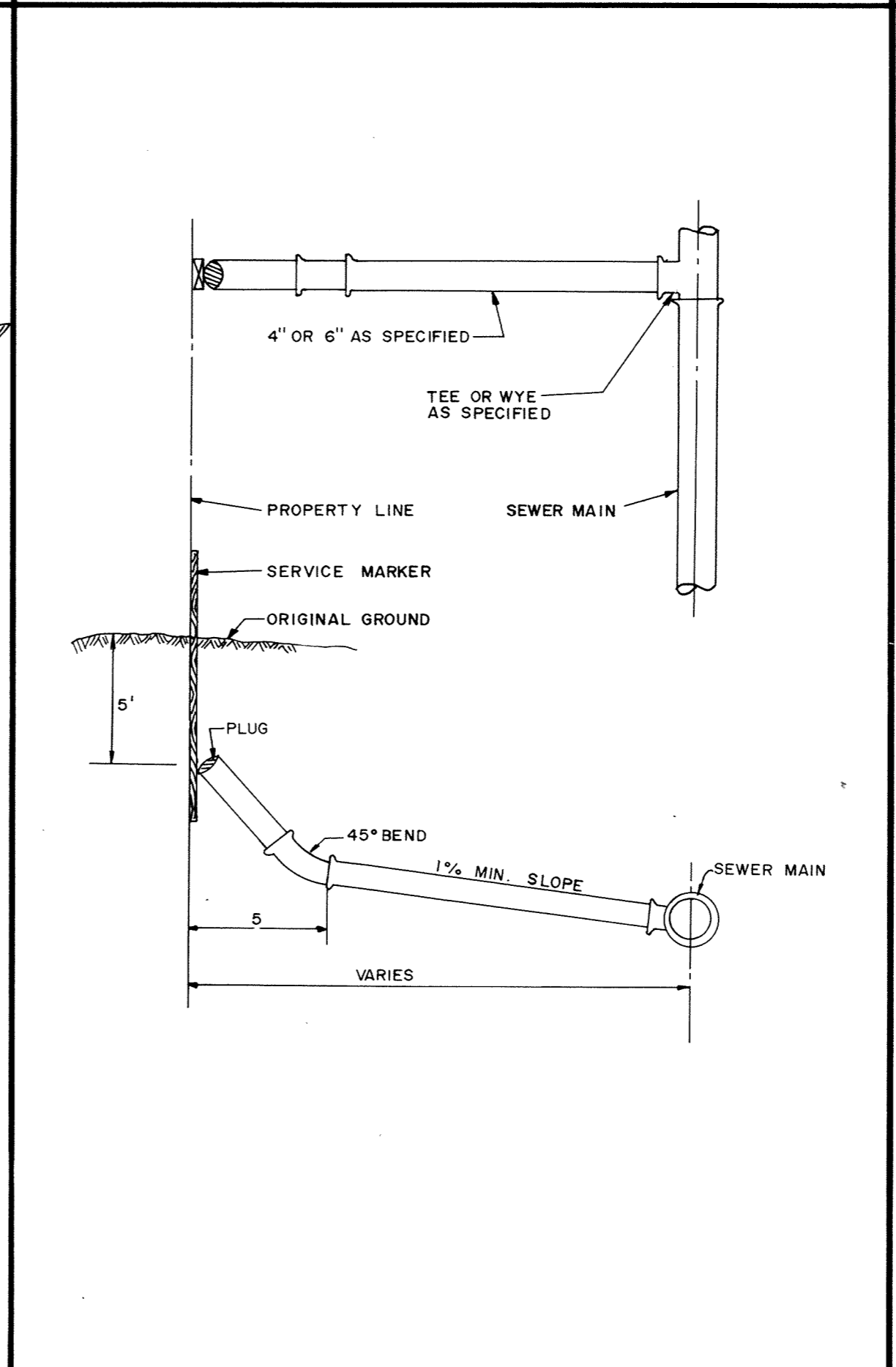
CLASS B PIPE BEDDING



SLAB TOP MANHOLE



SERVICE RISER SECTION



TYPICAL HOUSE SERVICE

RECORD PLAN
DEC. 1993

Maier Stewart & Associates Inc.
CONSULTING ENGINEERS
1959 SLOAN PLACE (612) 774 6021 ST. PAUL, MINNESOTA 55117

REVISIONS	DATE	DESCRIPTION	DESIGNED	CHECKED	DRAWN

CITY OF ELK RIVER
SANITARY SEWER DETAILS
DATE AUG. 1992 SHEET 7 OF 10 SHEETS PROJECT NO. 230-146

DRAWING NUMBER 4STRE 92

MINNESOTA BLUEPRINT