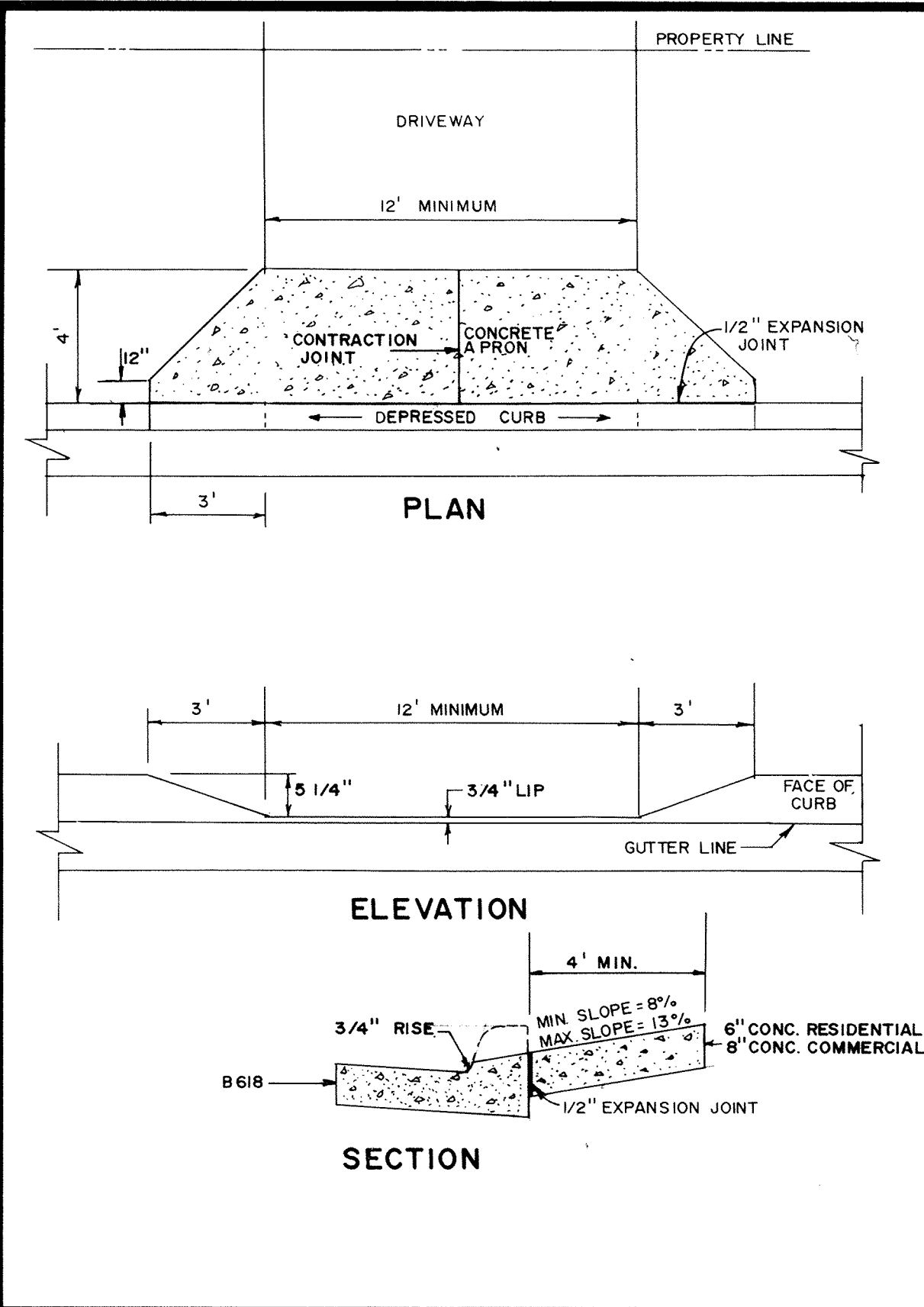
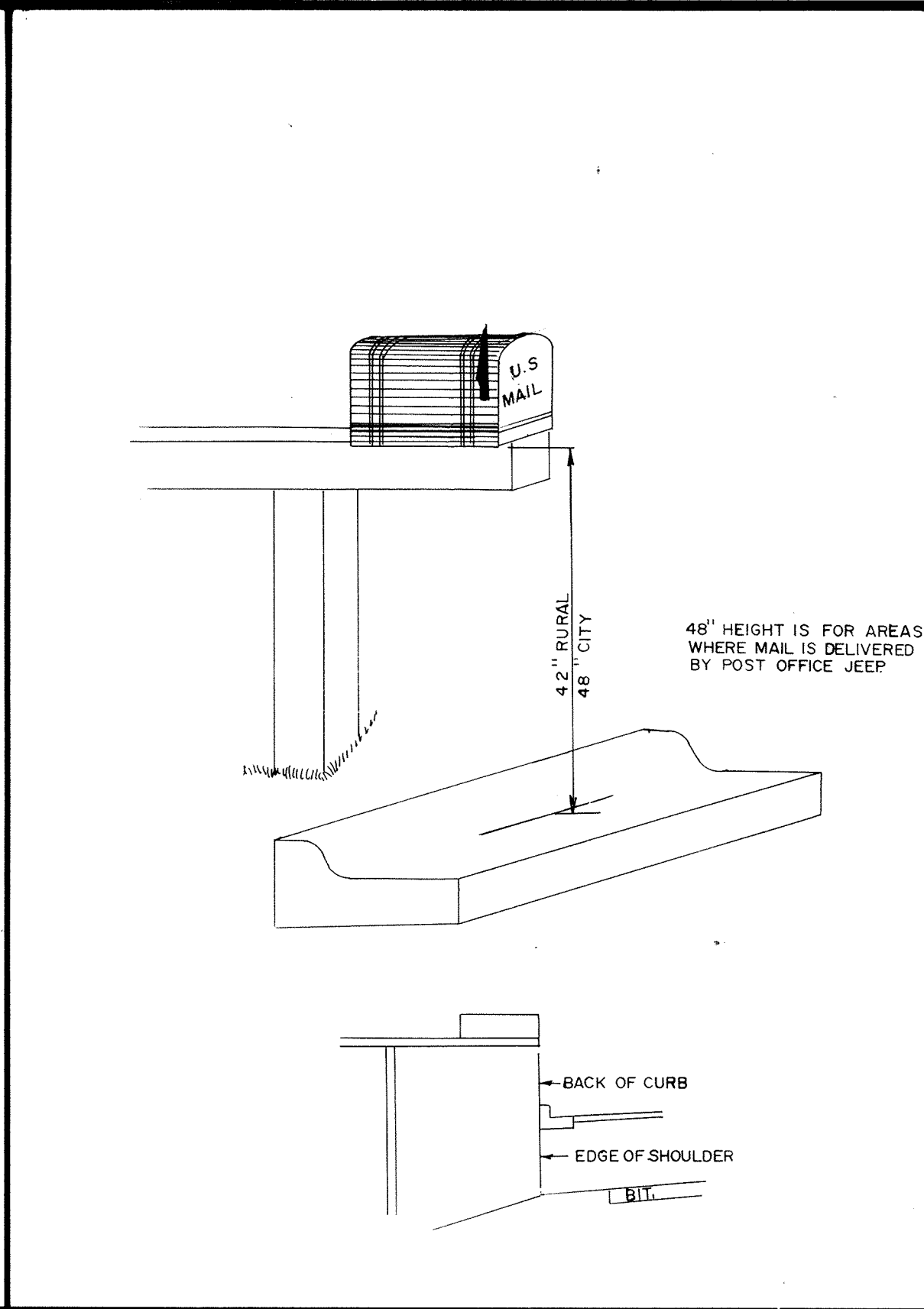


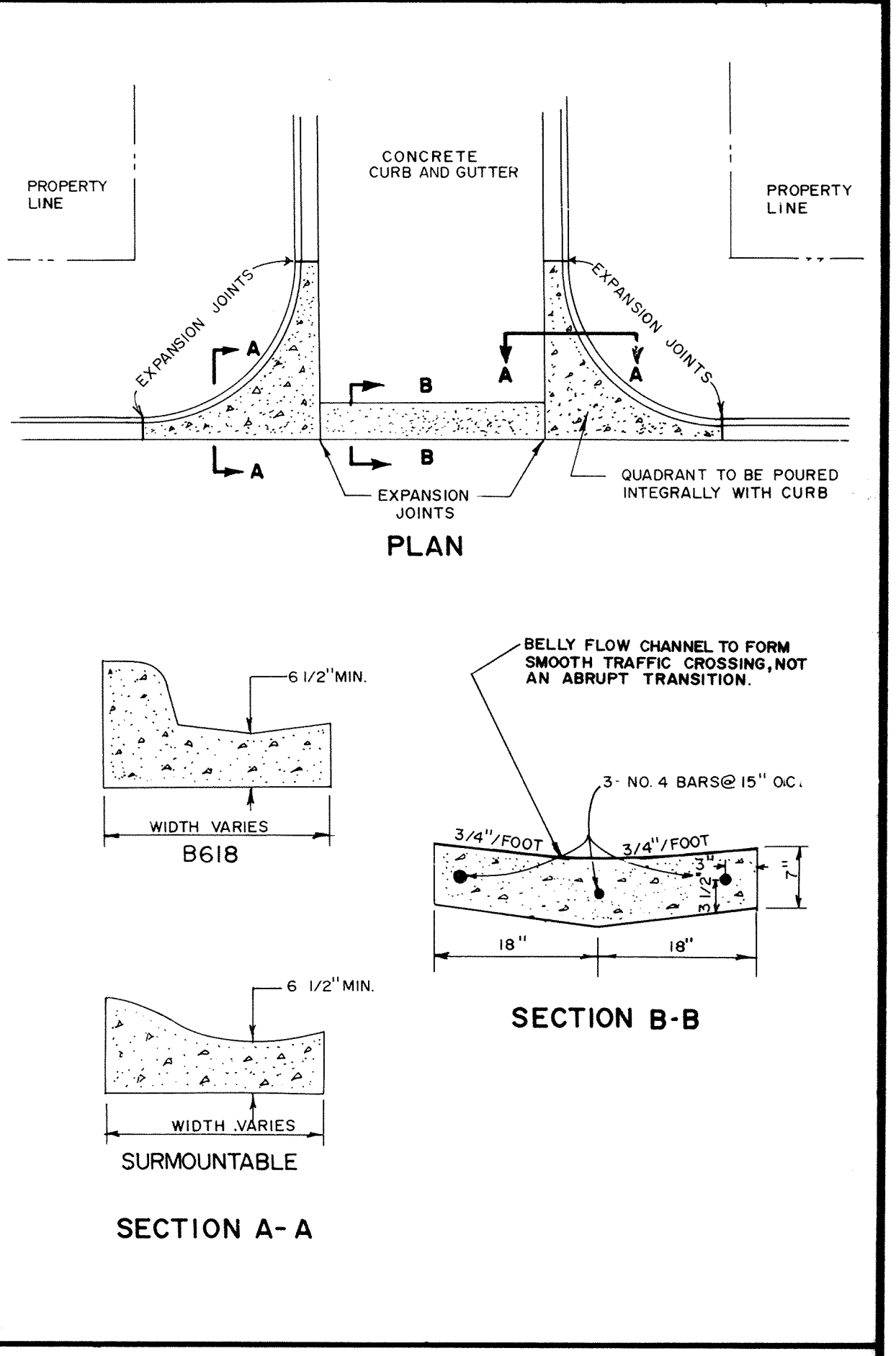
CONCRETE CURB AND GUTTER B624



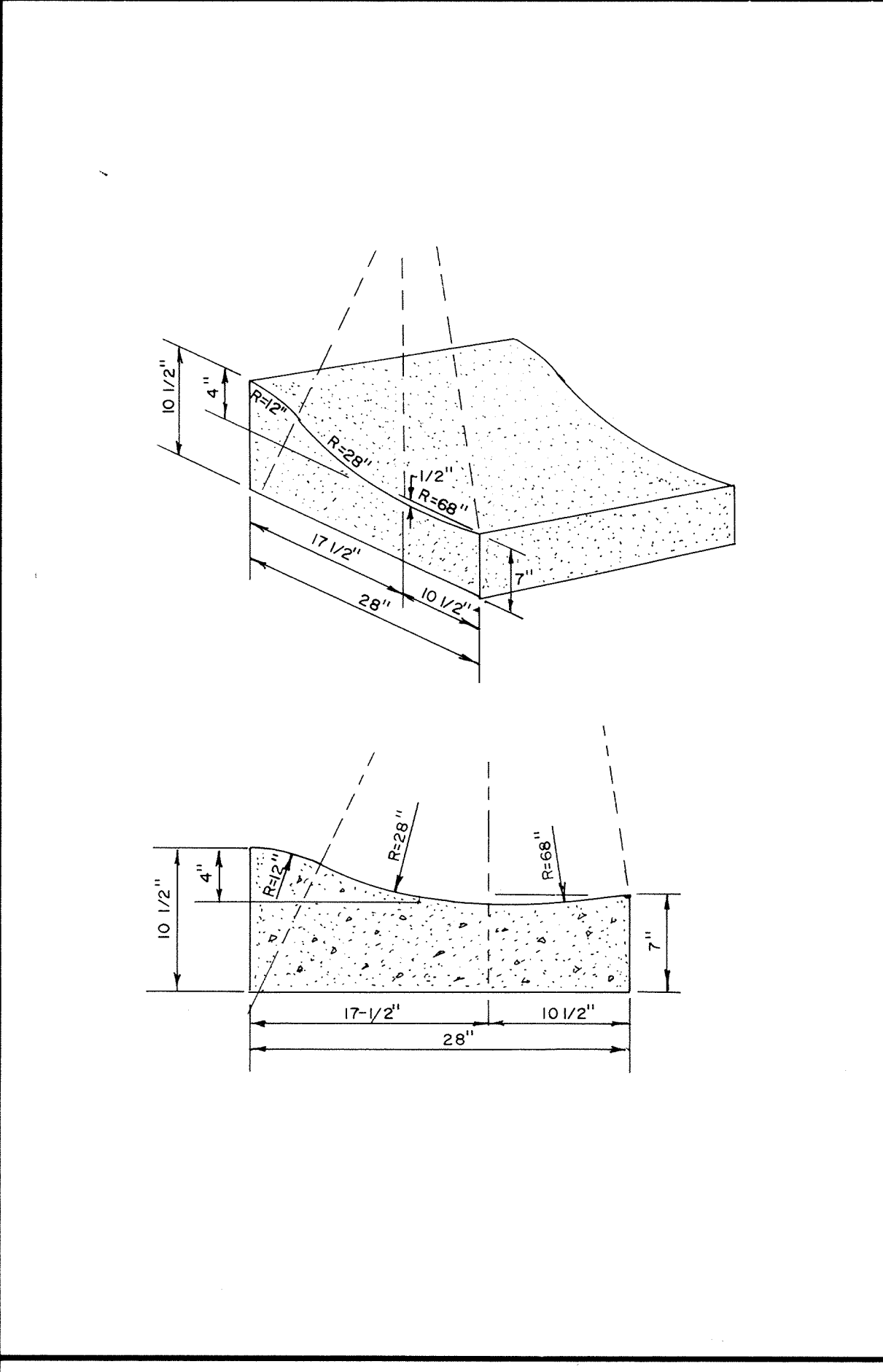
DEPRESSED CURB W/DRIVEWAY APRON



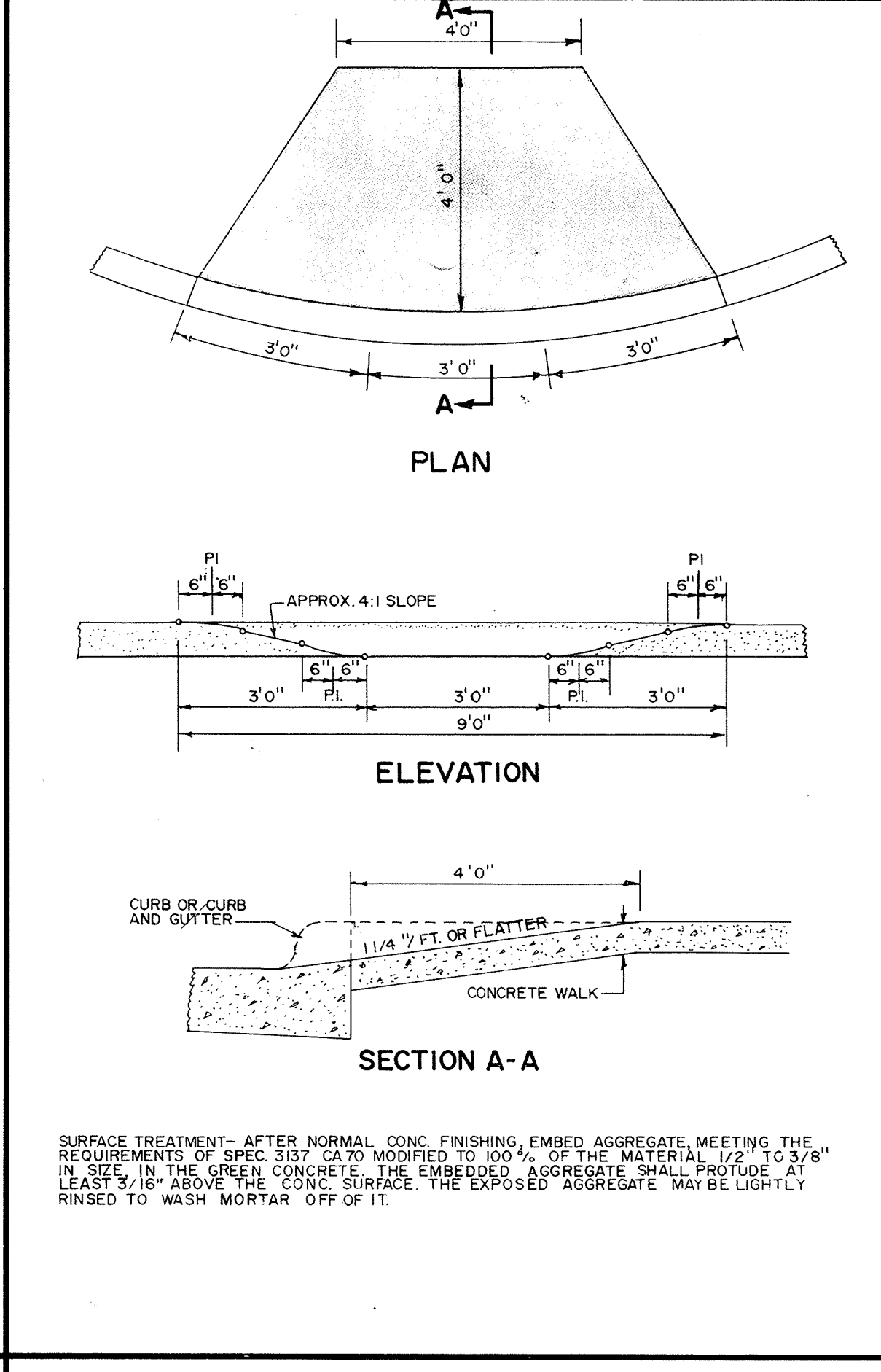
MAIL BOX



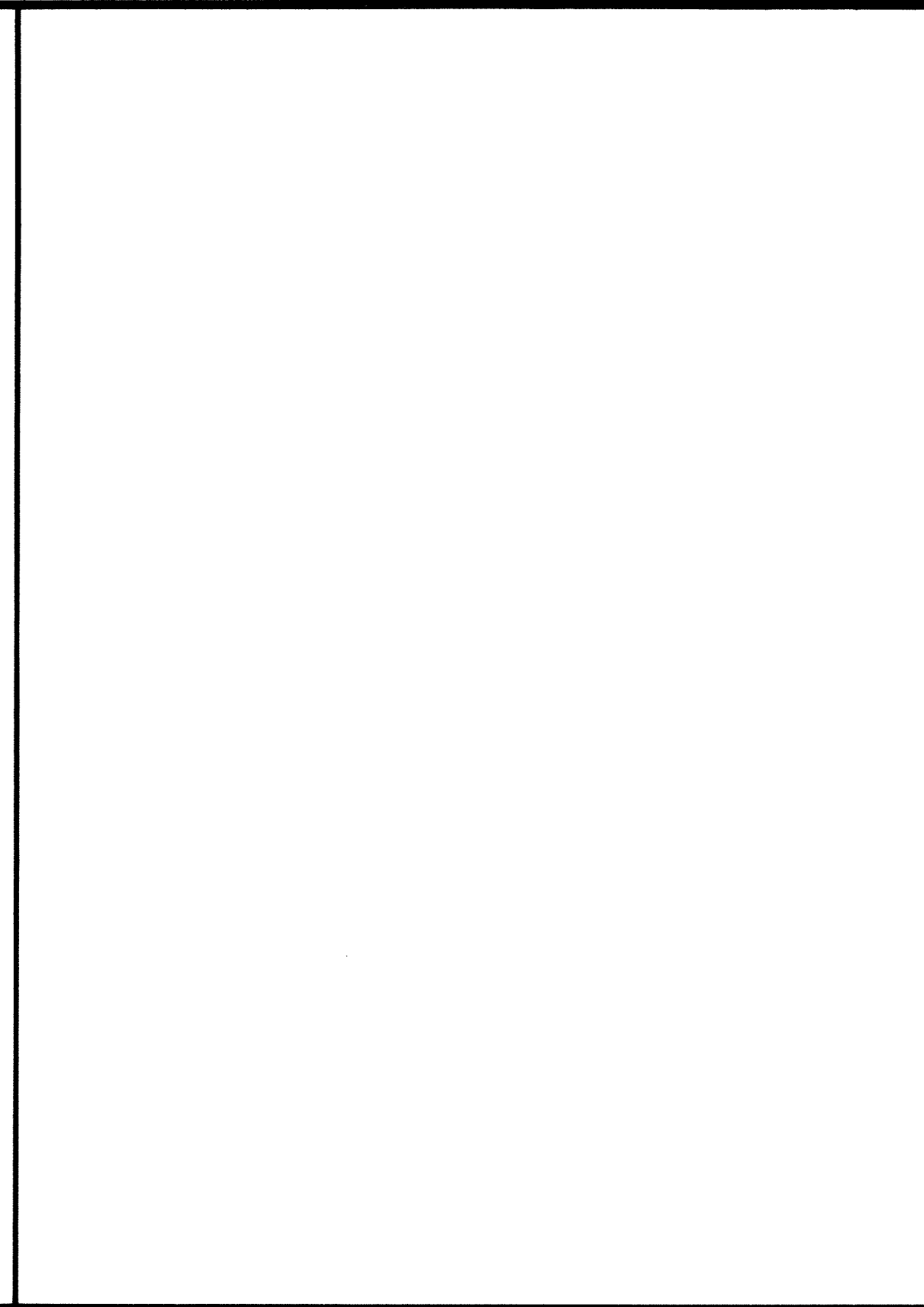
CONCRETE "V" GUTTER



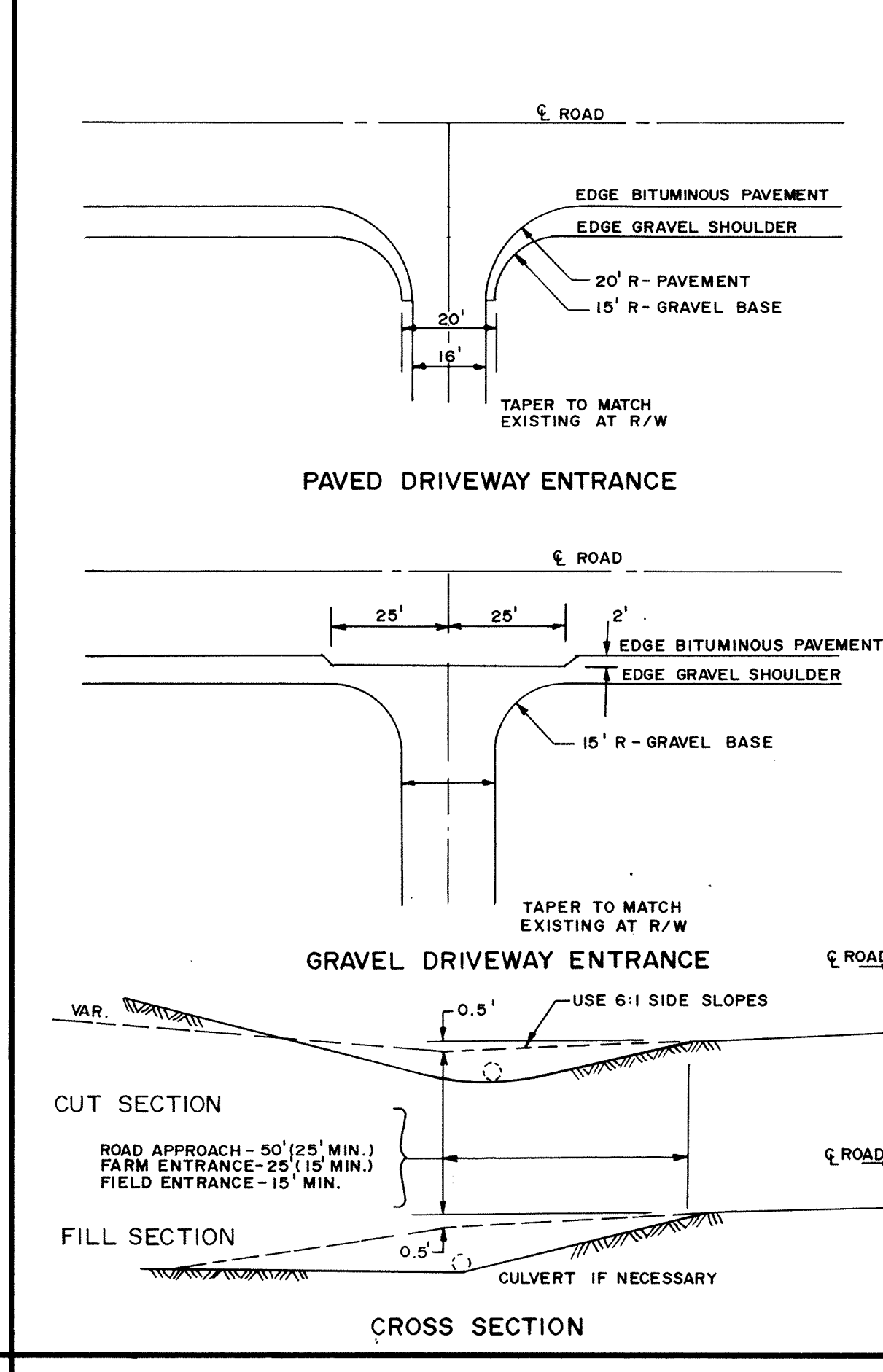
SURMOUNTABLE CONCRETE CURB AND GUTTER



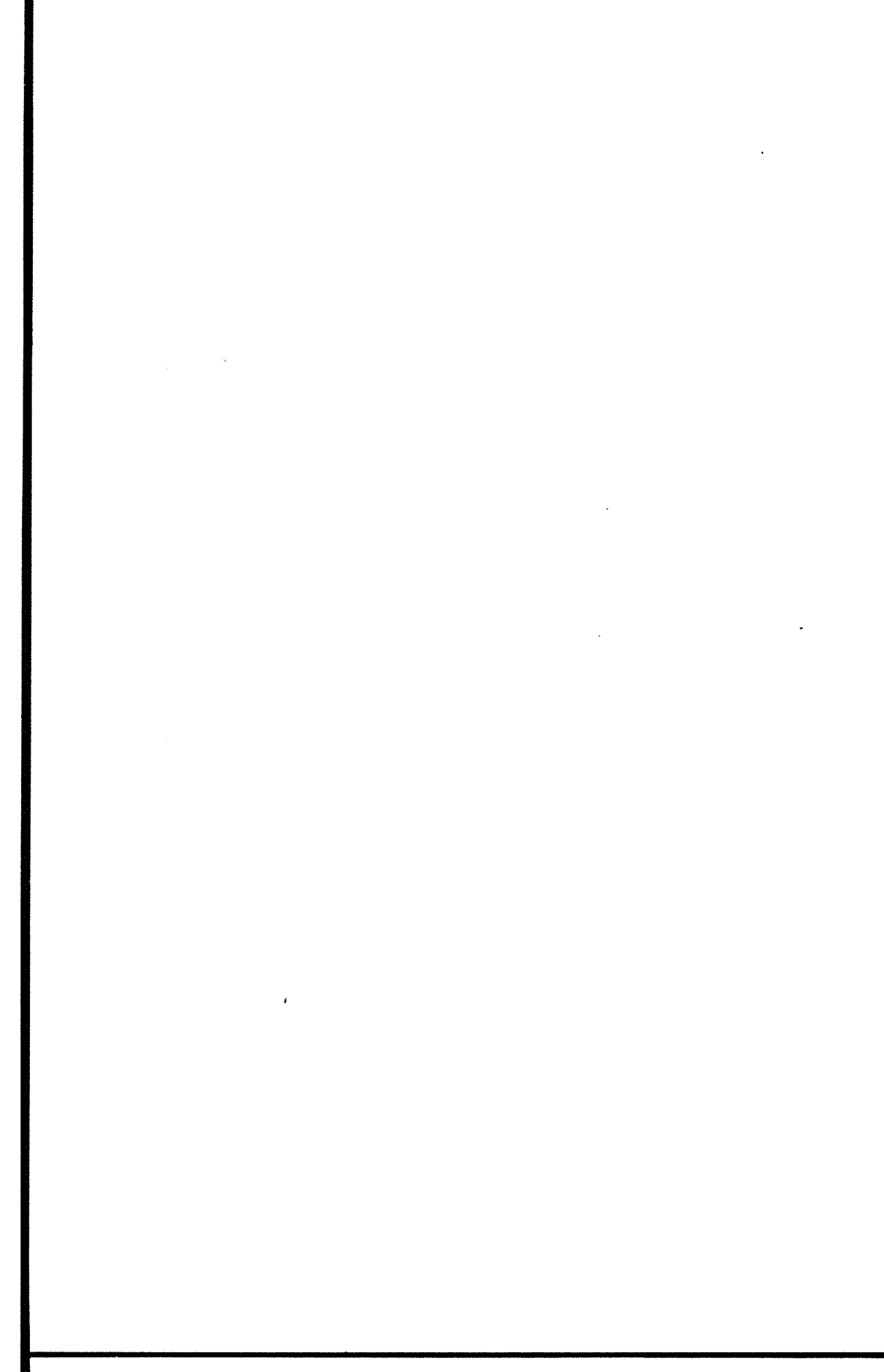
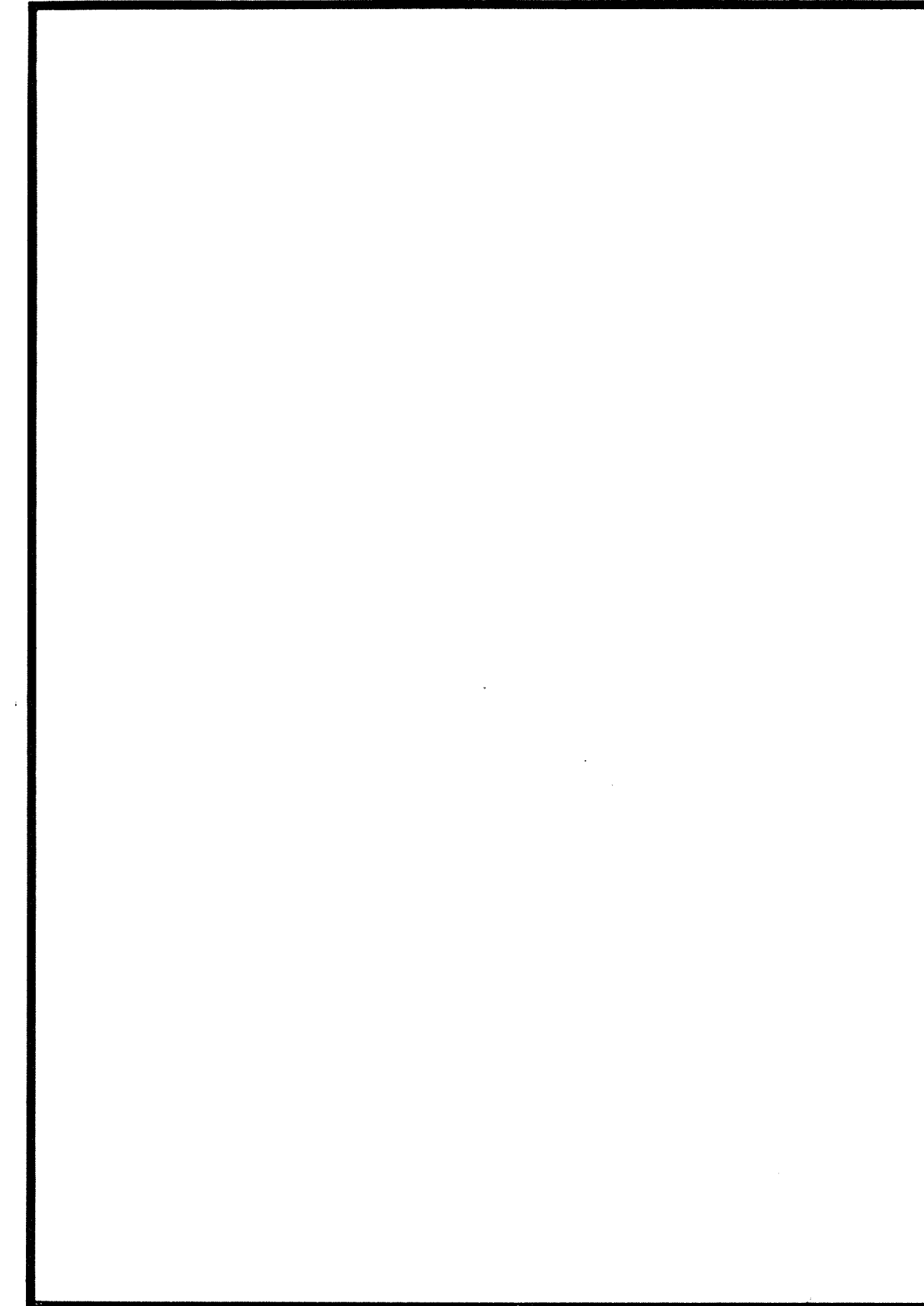
PEDESTRIAN CURB RAMPS



RURAL DRIVEWAY ENTRANCE



PAVED DRIVEWAY ENTRANCE
GRAVEL DRIVEWAY ENTRANCE



DATE	DESCRIPTION	DESIGNED	CHECKED	DRAWN

Maier Stewart & Associates Inc.
CONSULTING ENGINEERS
1959 SLOAN PLACE (612) 774-6021 ST. PAUL, MINNESOTA 55117

SHERBURNE COUNTY
S.A.P. 71-601-13
STREET CONSTRUCTION DETAILS

DATE FEB. 1991 SHEET 27 OF 28 SHEETS PROJECT NO. 231-001