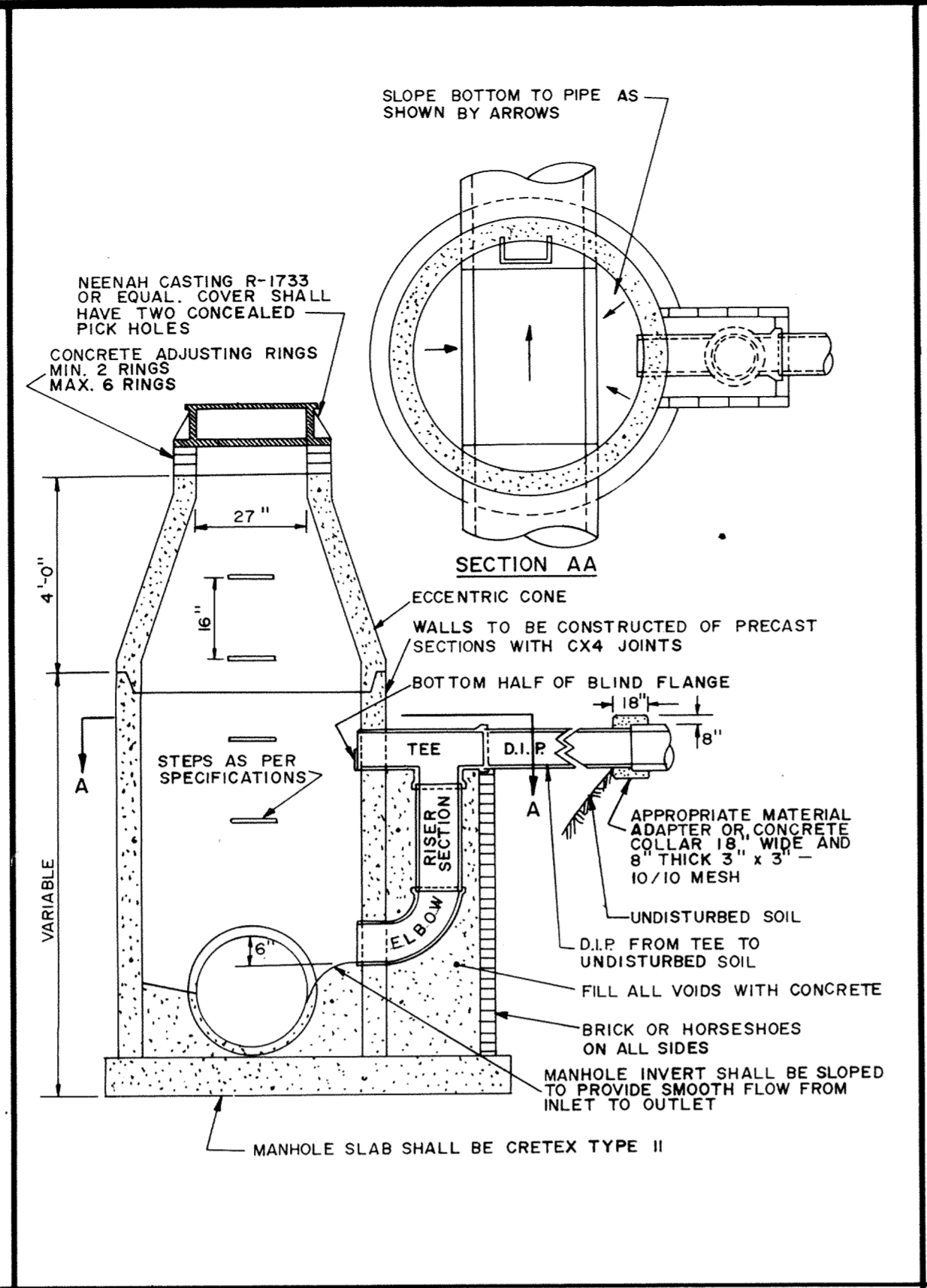
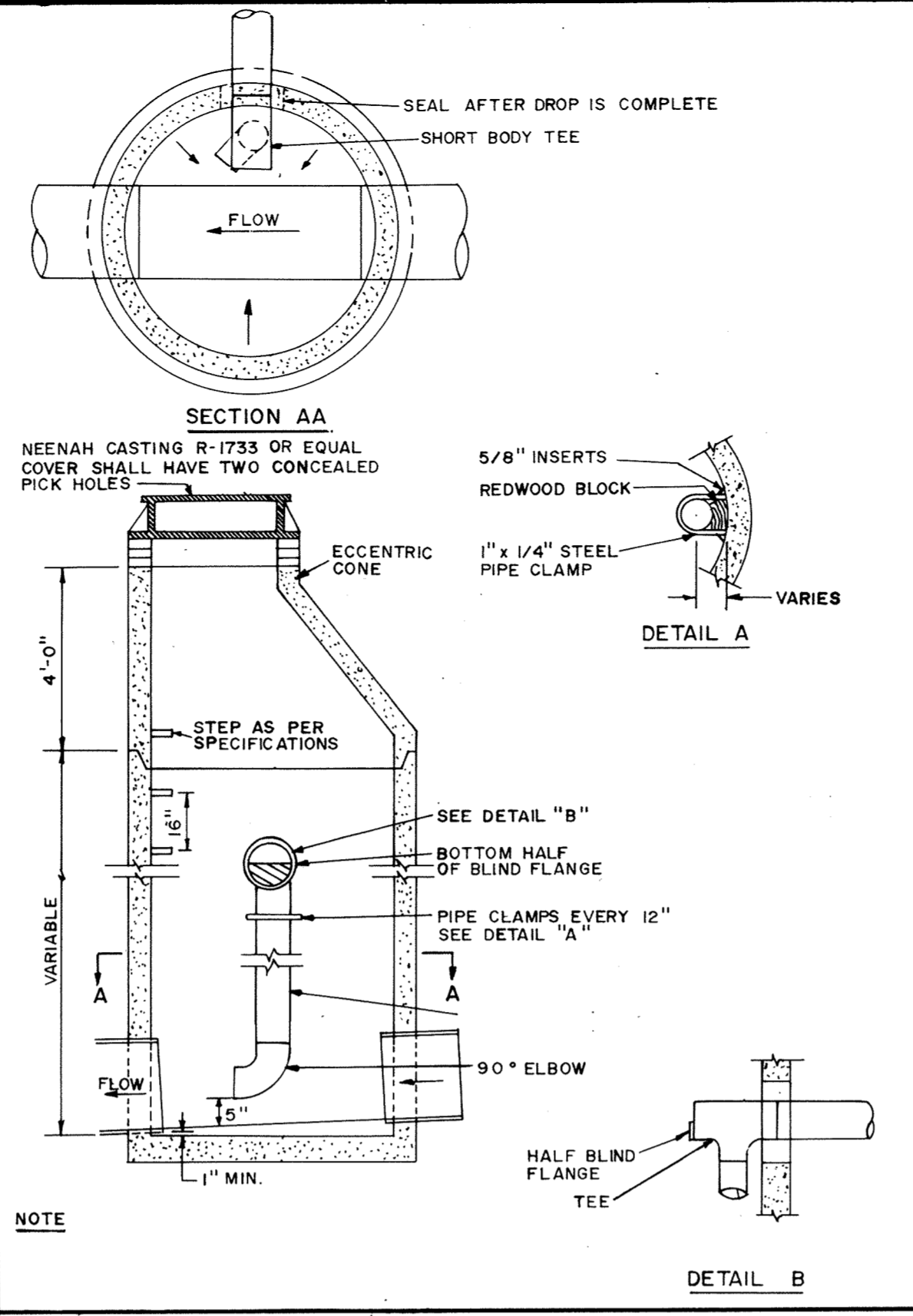


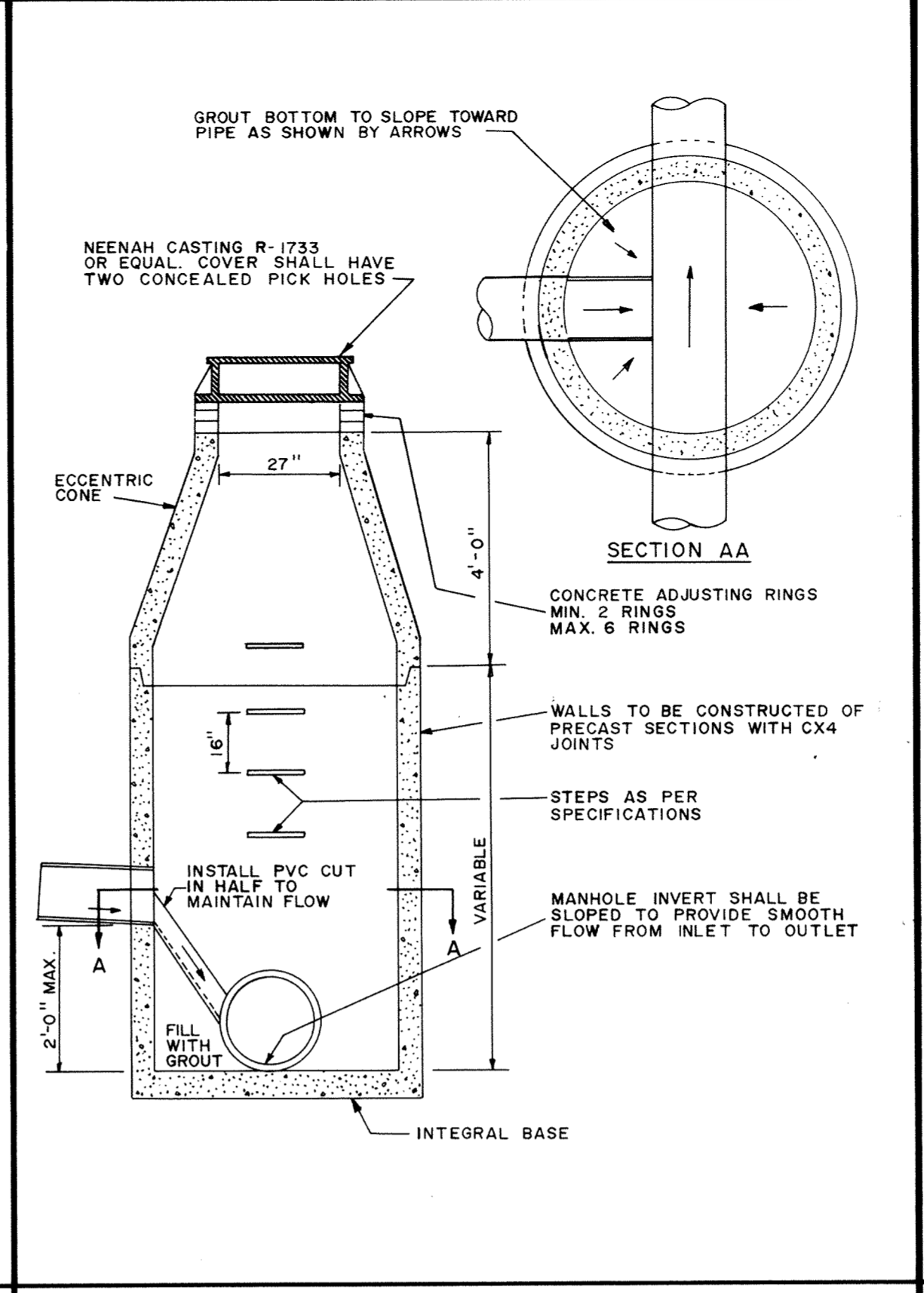
STANDARD AIR RELIEF MANHOLE



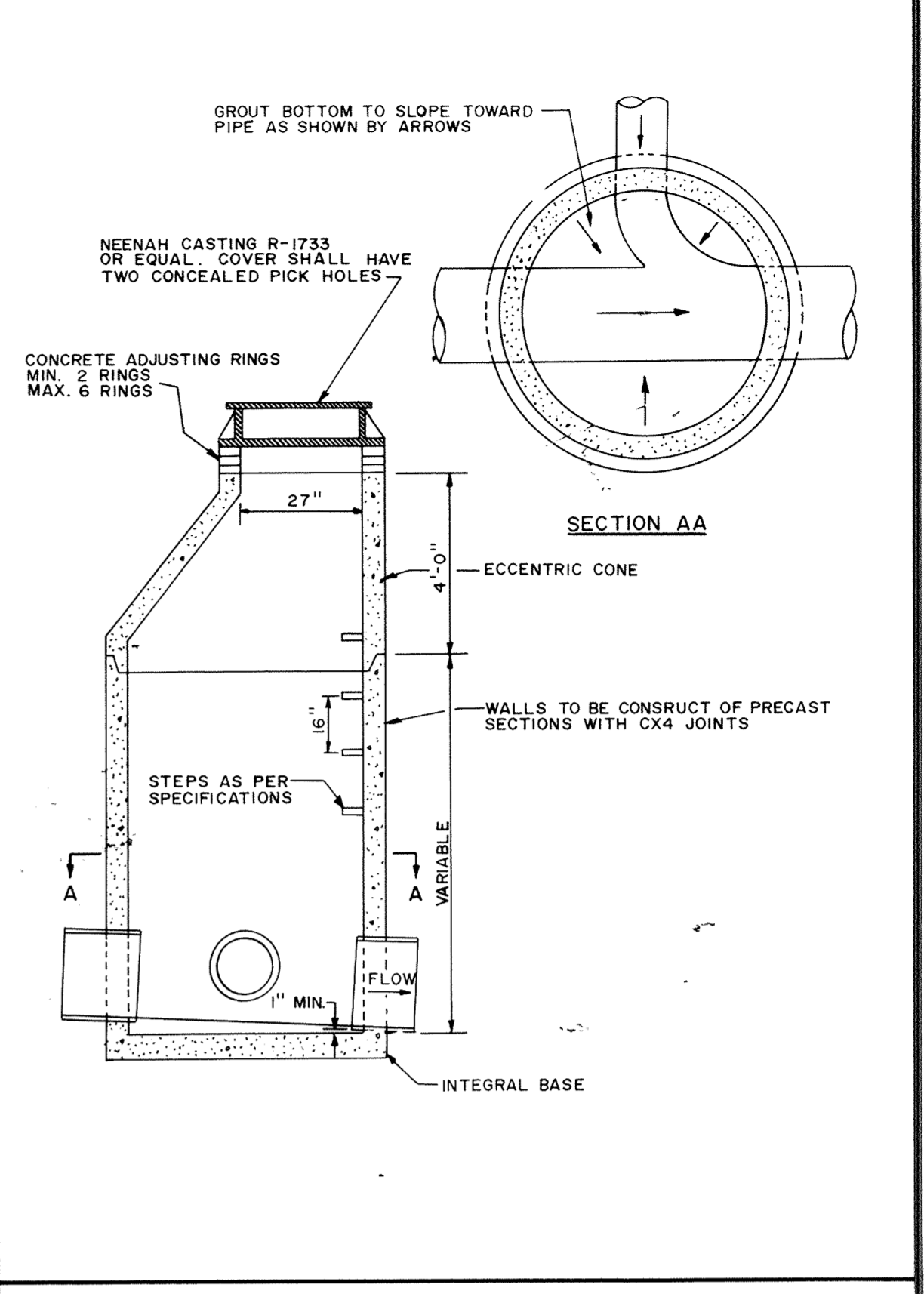
OUTSIDE DROP MANHOLE



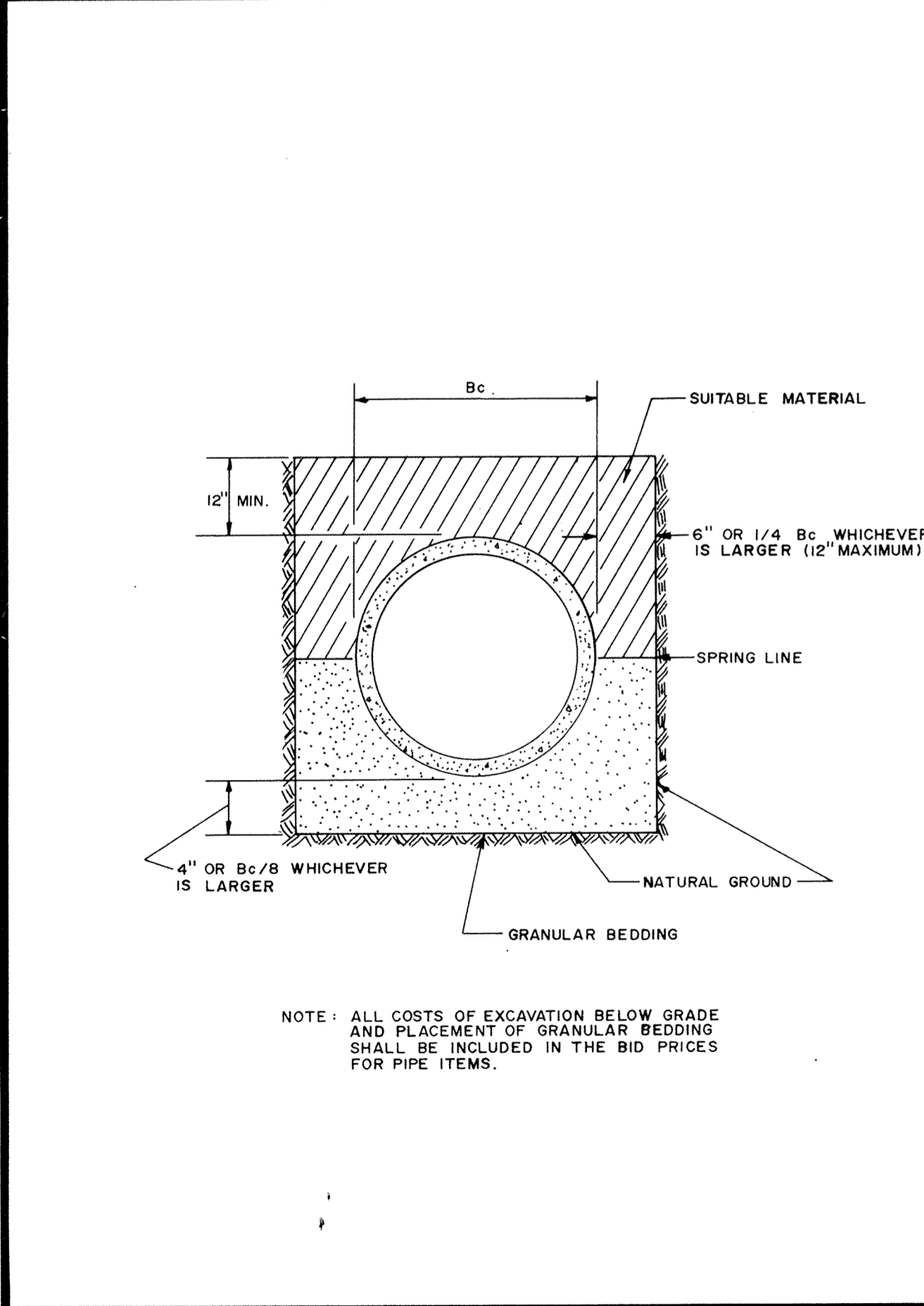
INSIDE DROP MANHOLE



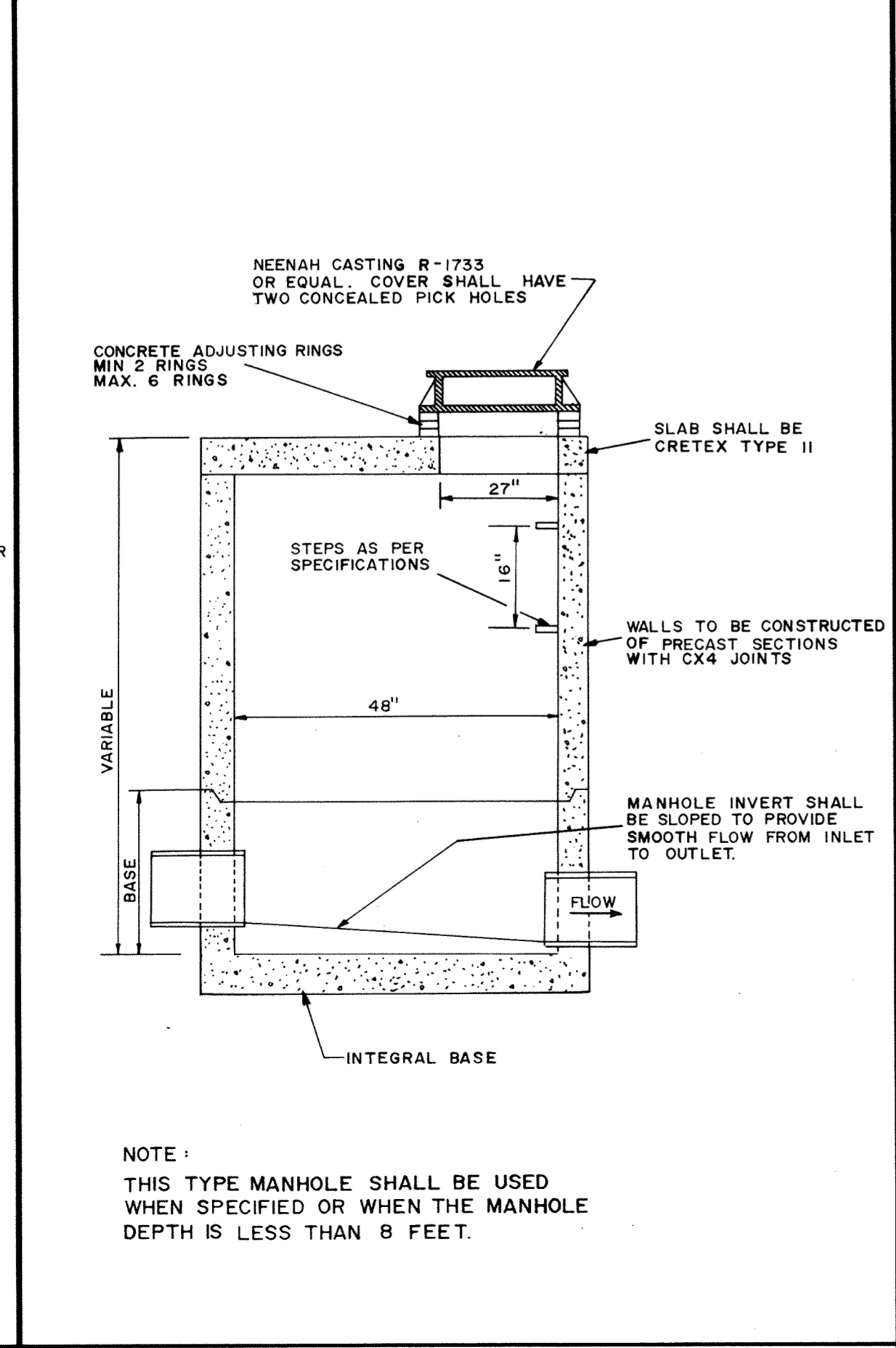
INSIDE DROP MANHOLE (2 FEET OR LESS)



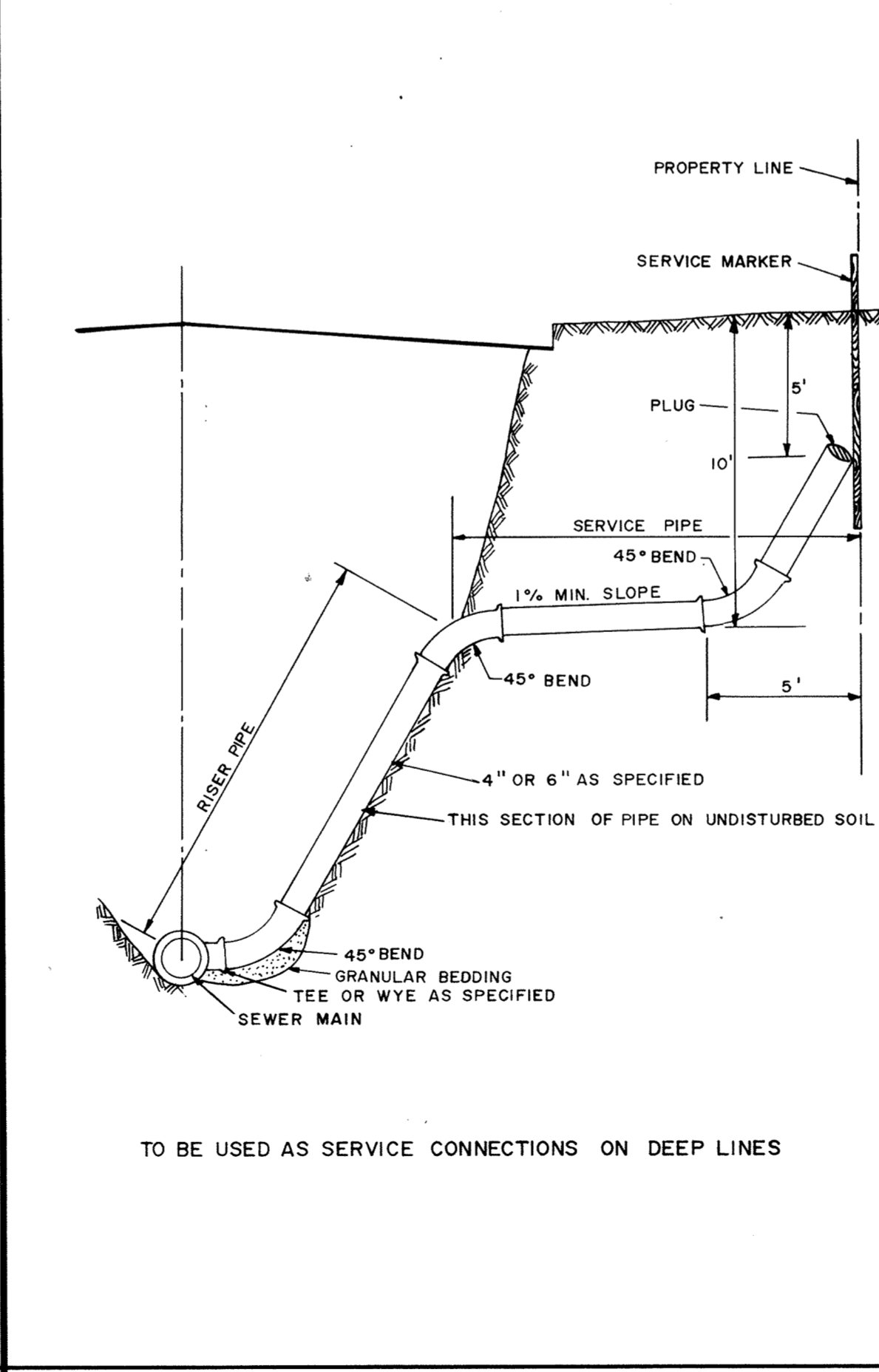
STANDARD MANHOLE



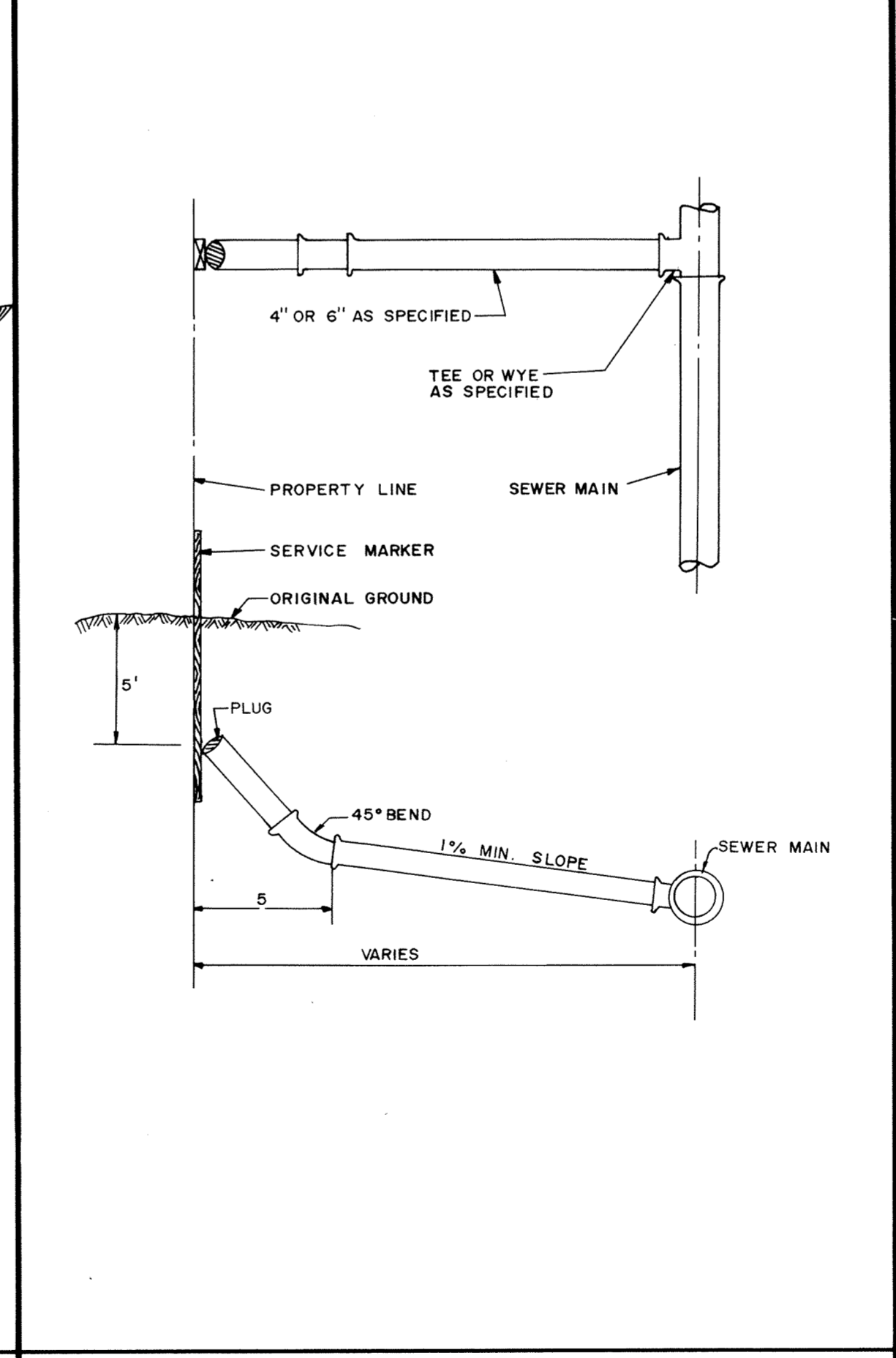
CLASS B PIPE BEDDING



SLAB TOP MANHOLE



SERVICE RISER SECTION



TYPICAL HOUSE SERVICE

MINNESOTA BLUEPRINT

**Maier Stewart & Associates Inc.**  
CONSULTING ENGINEERS

1959 SLOAN PLACE (612) 774 6021 ST. PAUL, MINNESOTA 55117

REVISIONS	DATE	DESCRIPTION	DESIGNED
			DRAWN
			GRAPHIC SCALE
			0 HORIZ. NONE
			0 VERT.

**SHERBURNE COUNTY**  
S.A.P. 71-601-13  
SANITARY SEWER DETAILS

DATE FEB. 1991 SHEET 25 OF 28 SHEETS PROJECT NO. 231 OOI

DRAWING NUMBER 1CSAH 91 25

DRAWING NUMBER

DRAWING NUMBER

DRAWING NUMBER