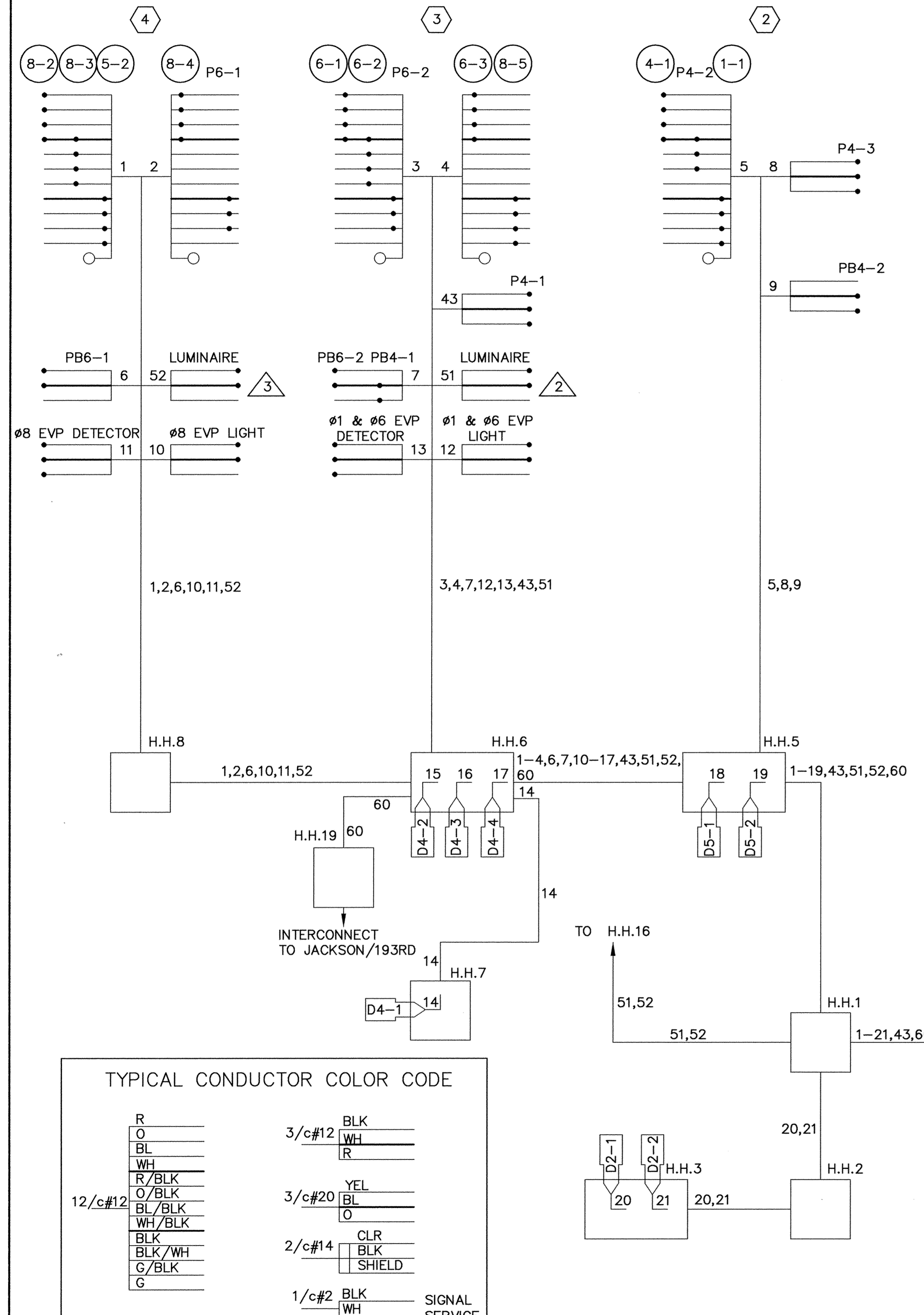
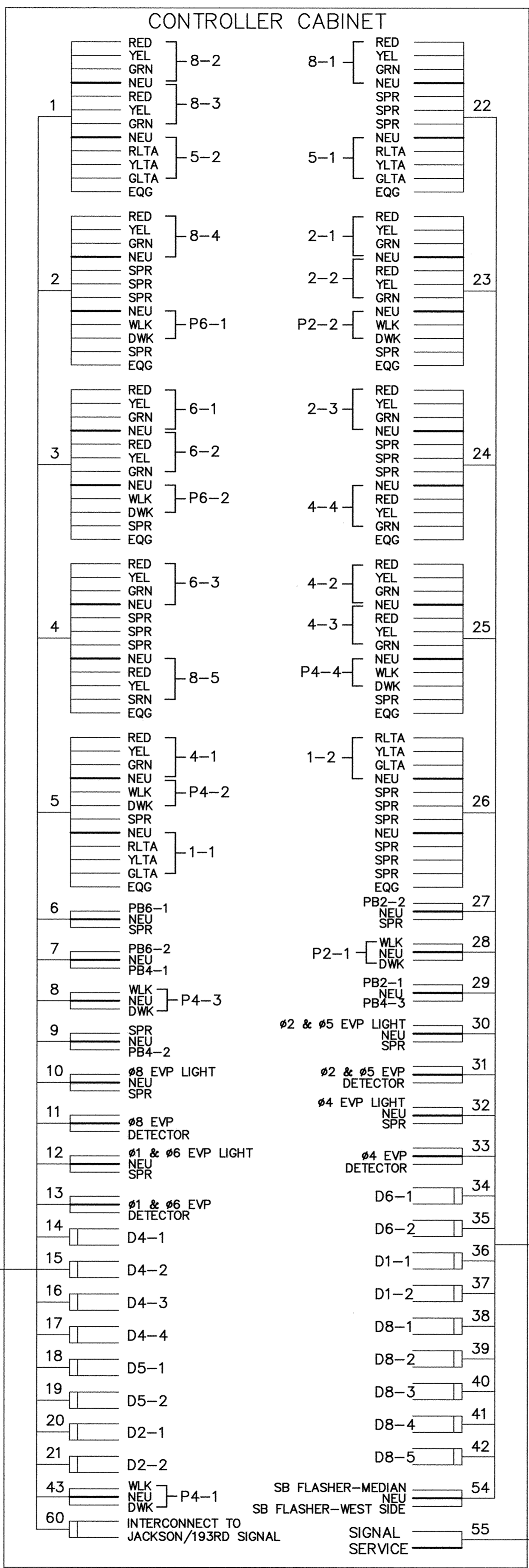


SAECO PRODUCTS • NEW HOPE, MINNESOTA  
REPRODUCED BY PART NUMBER 1930  
FEDERAL BUREAU OF INVESTIGATION



#### TYPICAL CONDUCTOR COLOR CODE

R	3/c#12	BLK	
O		WH	
BL		R	
WH			
R/BLK	3/c#20	YEL	
O/BLK		BL	
BL/BLK		WH	
WH/BLK		O	
BLK	2/c#14	CLR	
BLK/WH		BLK	
G/BLK		SHIELD	
G	1/c#2	BLK	SIGNAL SERVICE
		WH	

NOTE:  
ALL TERMINAL BLOCK CONNECTIONS SHALL BE ARRANGED AS SPECIFIED ABOVE.

I HEREBY CERTIFY THAT THIS PLAN, SPECIFICATION, OR REPORT WAS PREPARED BY ME OR UNDER MY DIRECT SUPERVISION AND THAT I AM A DULY REGISTERED PROFESSIONAL ENGINEER UNDER THE LAWS OF THE STATE OF MINNESOTA.

*George M. Stuenkel*  
DATE 5/12/97 REG. NO. 21849

**MSA**  
CONSULTING ENGINEERS

1326 ENERGY PARK DRIVE  
ST. PAUL, MINNESOTA 55108  
(612) 644-4389

REVISIONS	DATE	DESCRIPTION	DESIGNED	CHECKED	DRAWN
	5/9/97	PER MNDOT REVIEW			

GRAPHIC SCALE  
0 NA  
VERT. NA

CITY OF ELK RIVER  
TRUNK HIGHWAY 169 AT 197TH AVENUE  
S.A.P. 204-116-01  
RECORD PLAN  
FIELD WIRING DIAGRAM  
DECEMBER 1998

DATE DEC. 1996 SHEET 6 OF 9 SHEETS PROJECT NO. 230-306