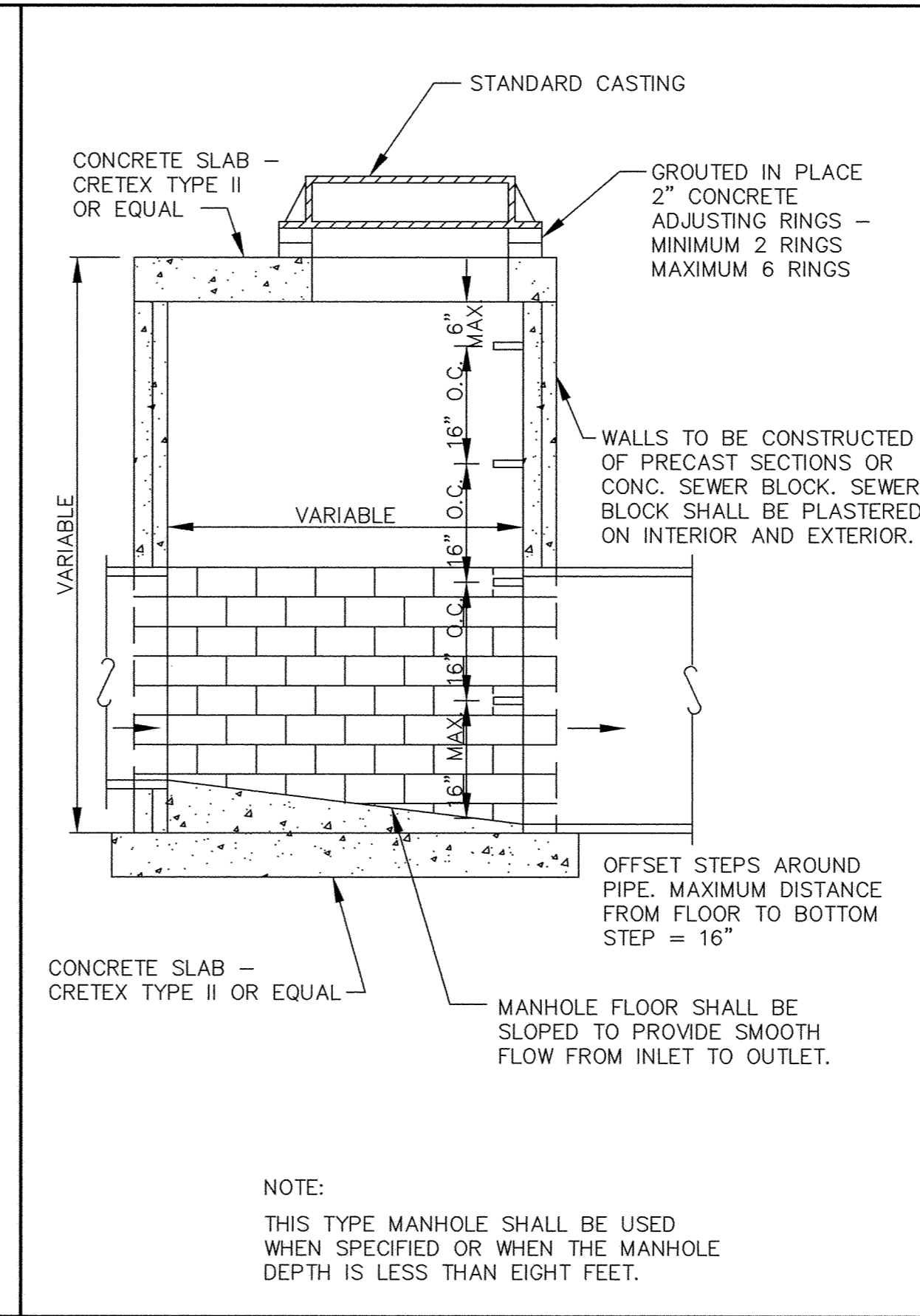
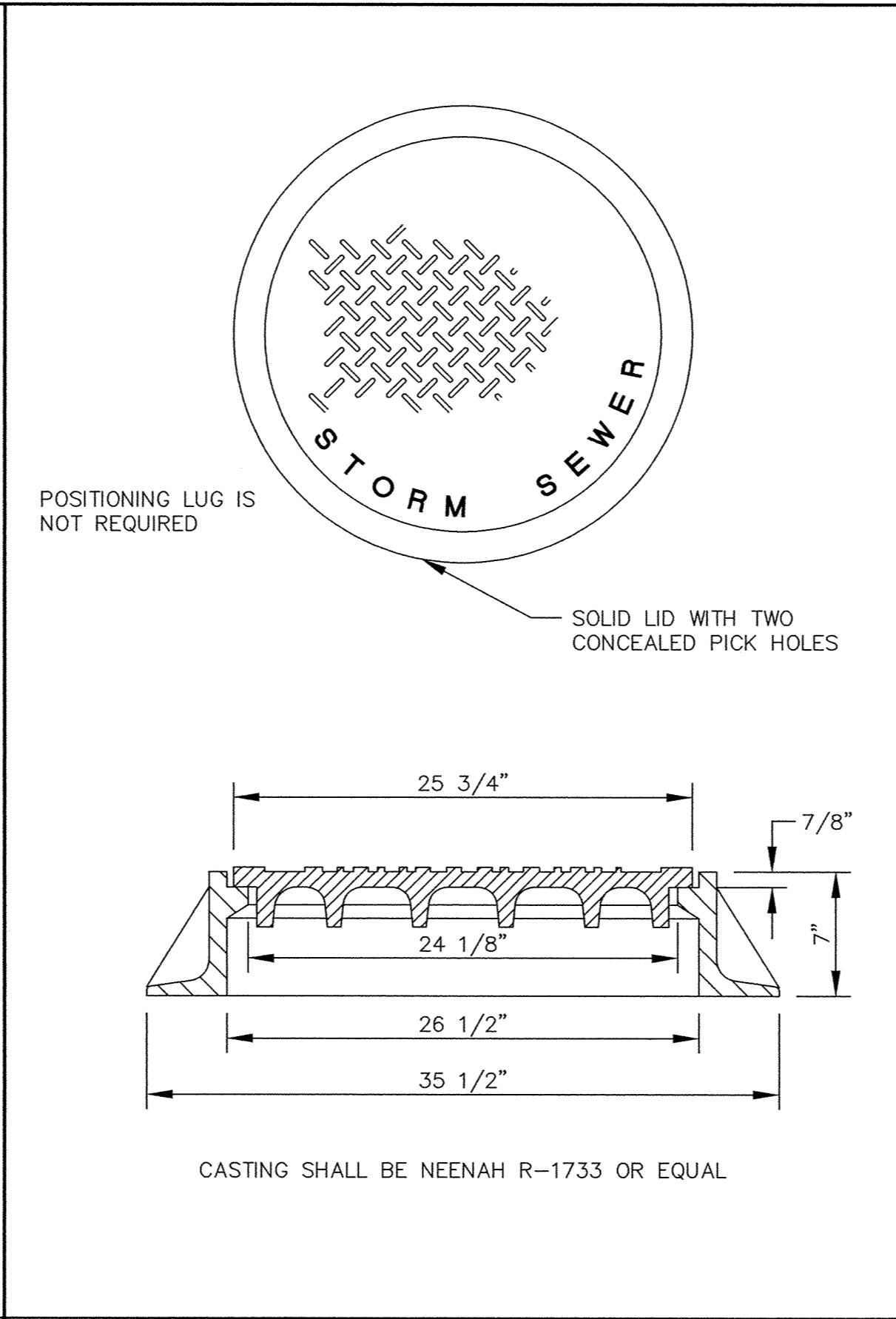


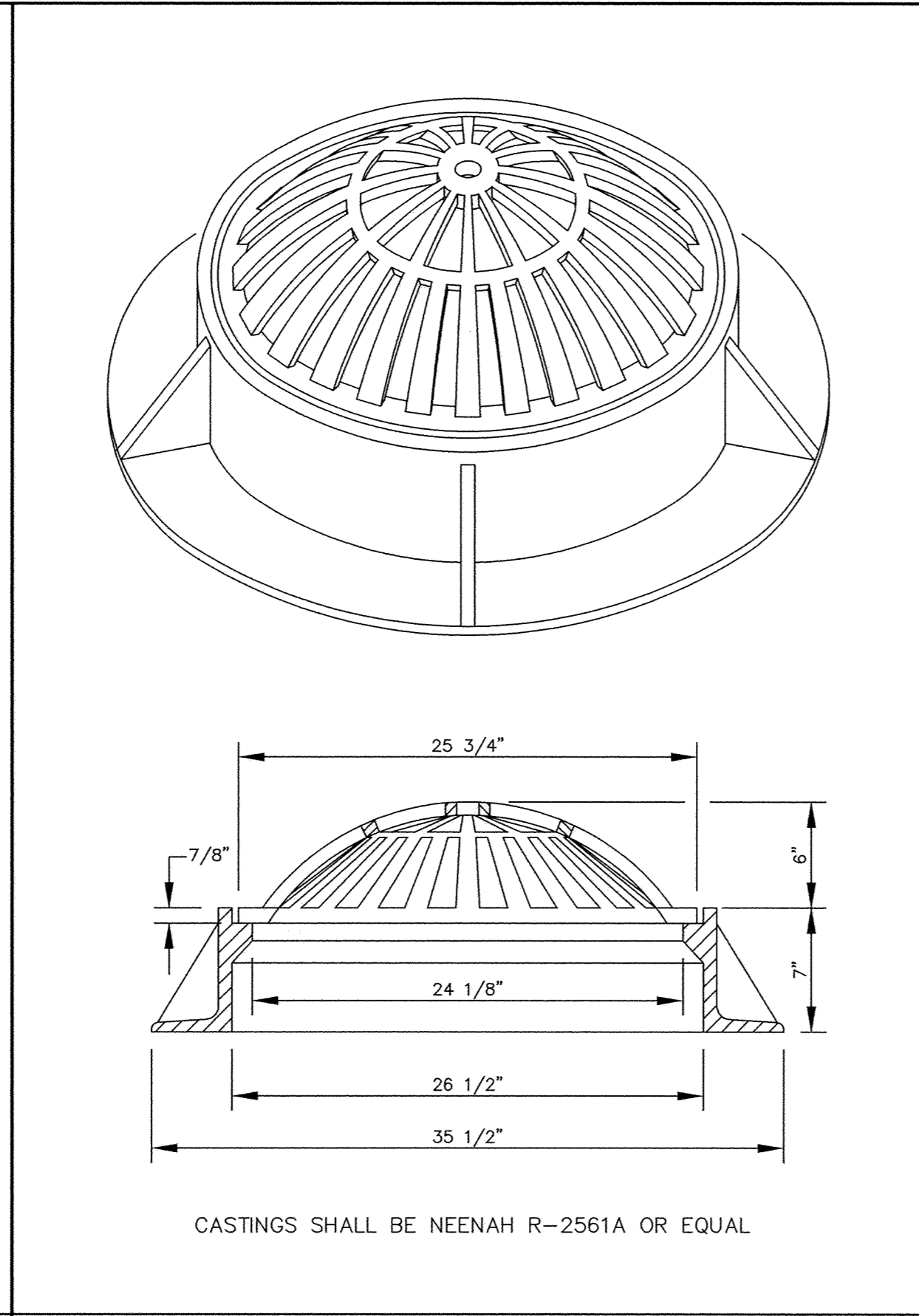
STANDARD MANHOLE



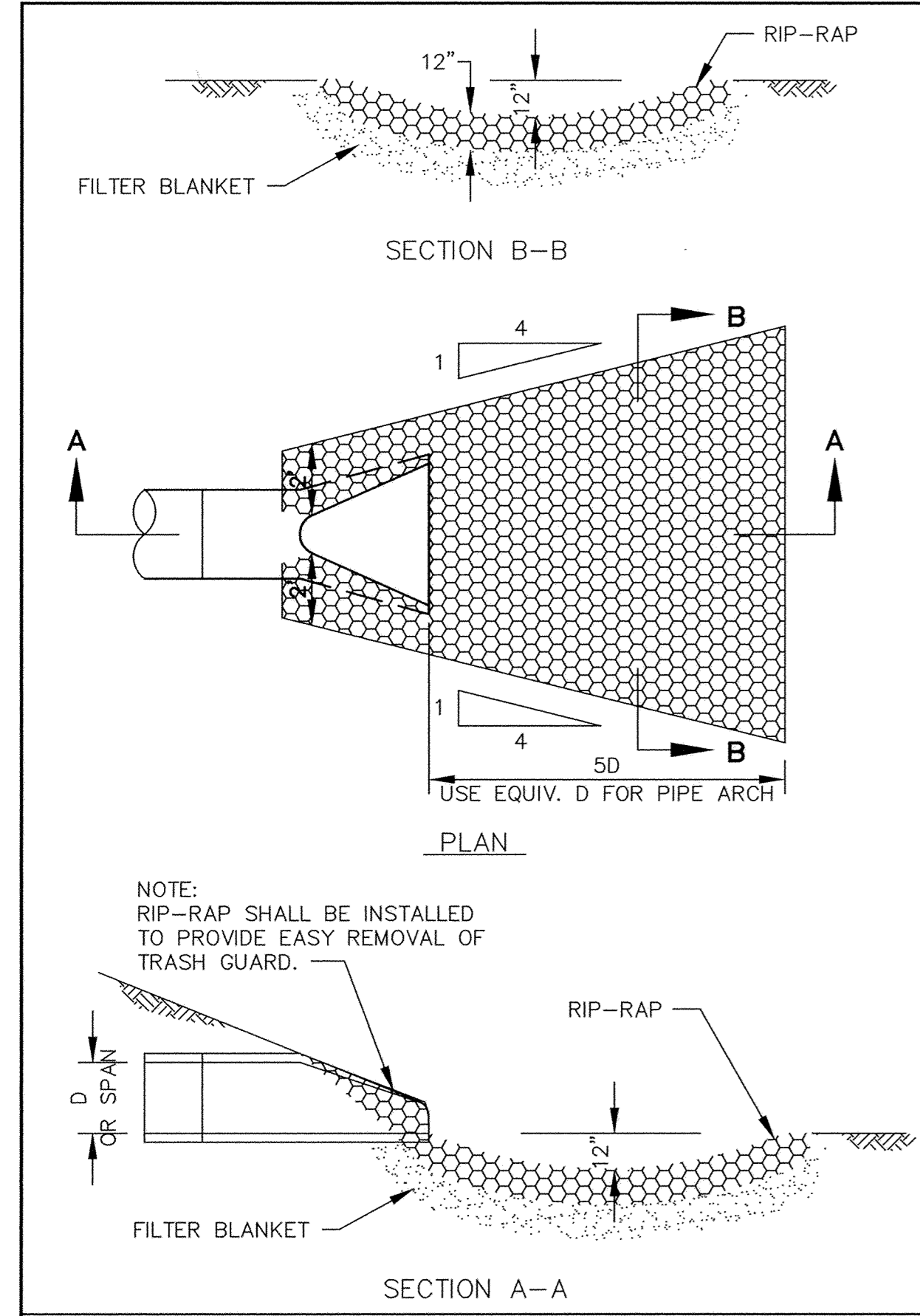
SLAB TOP MANHOLE



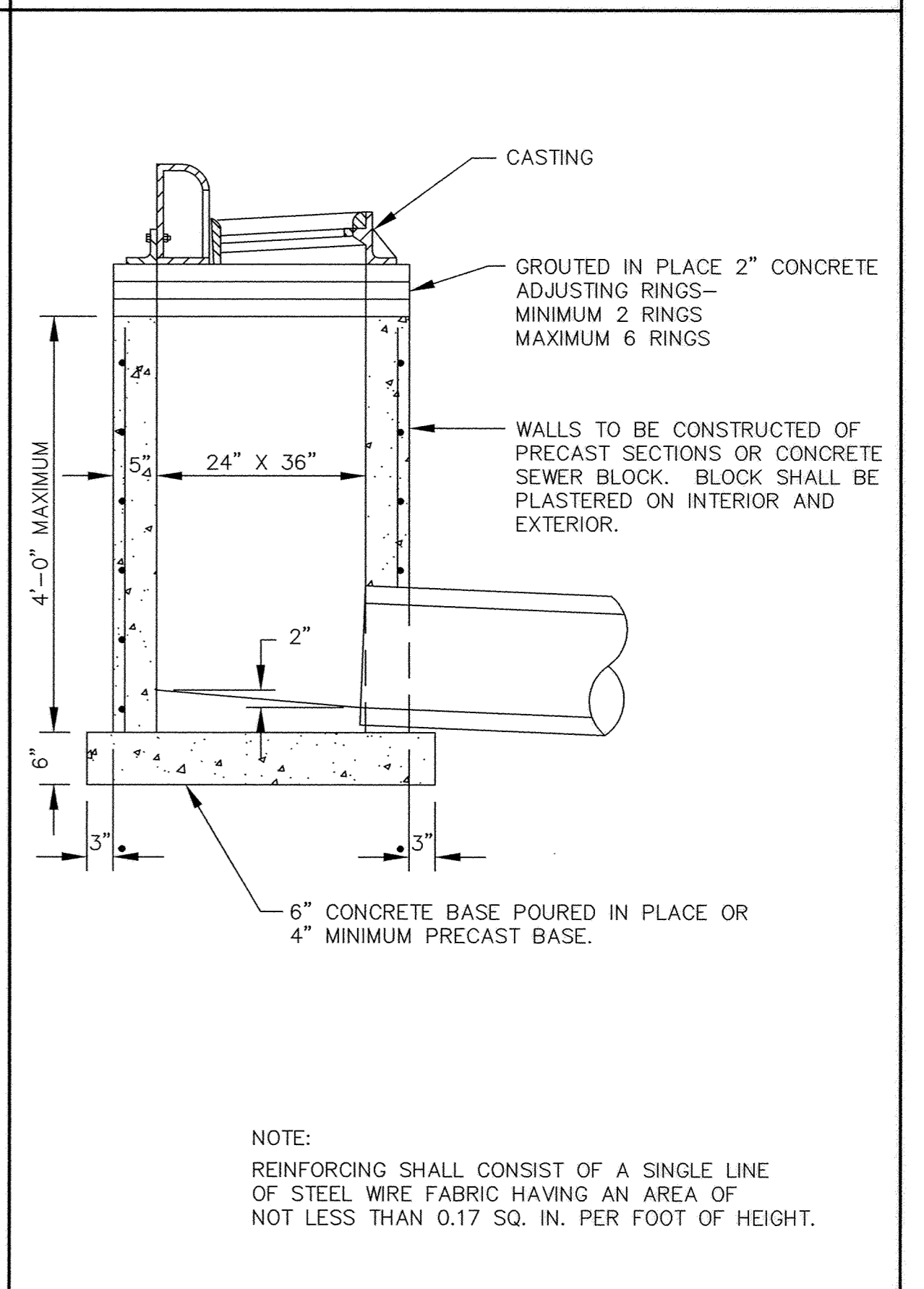
STANDARD MANHOLE CASTING



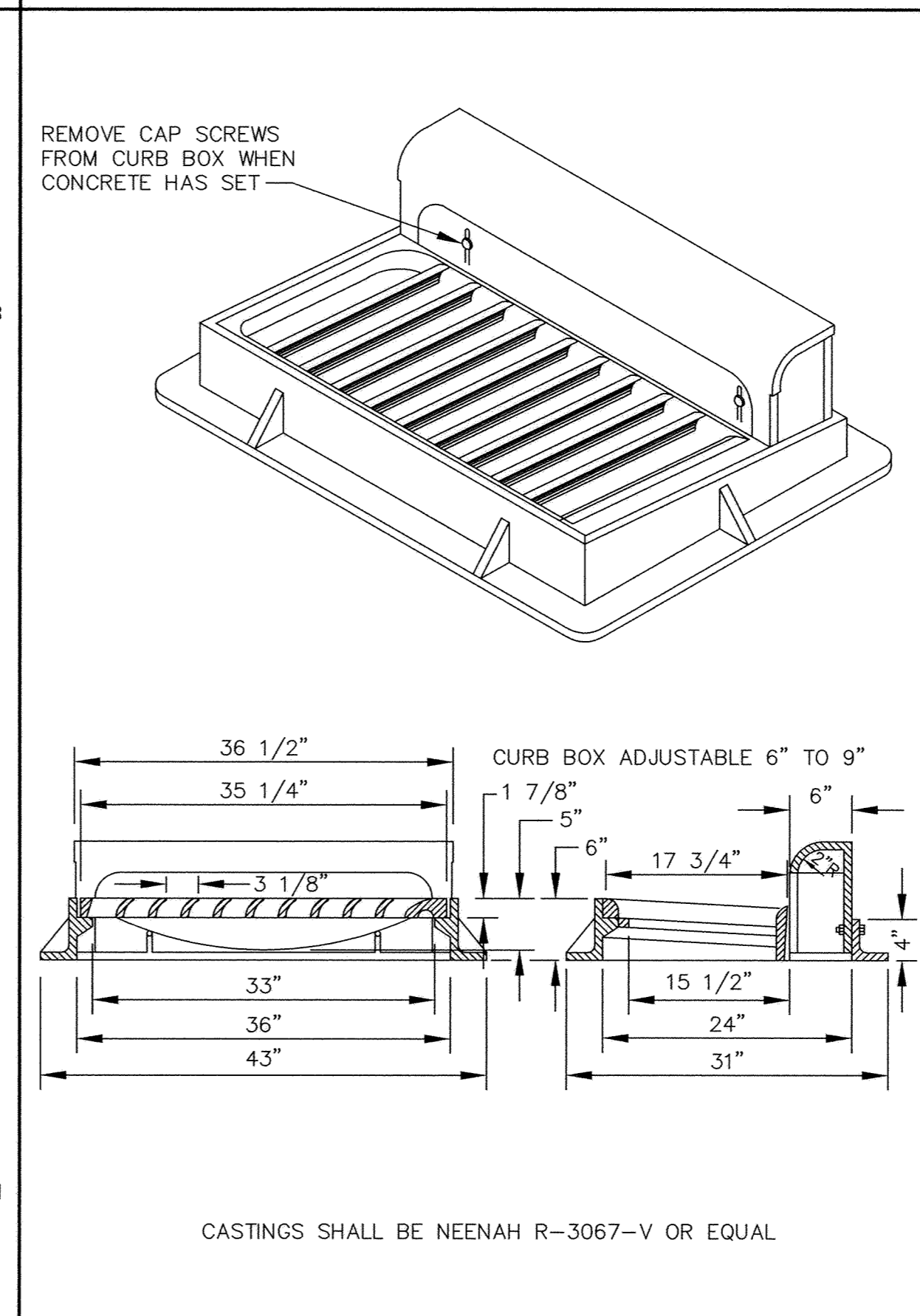
BEEHIVE CASTING



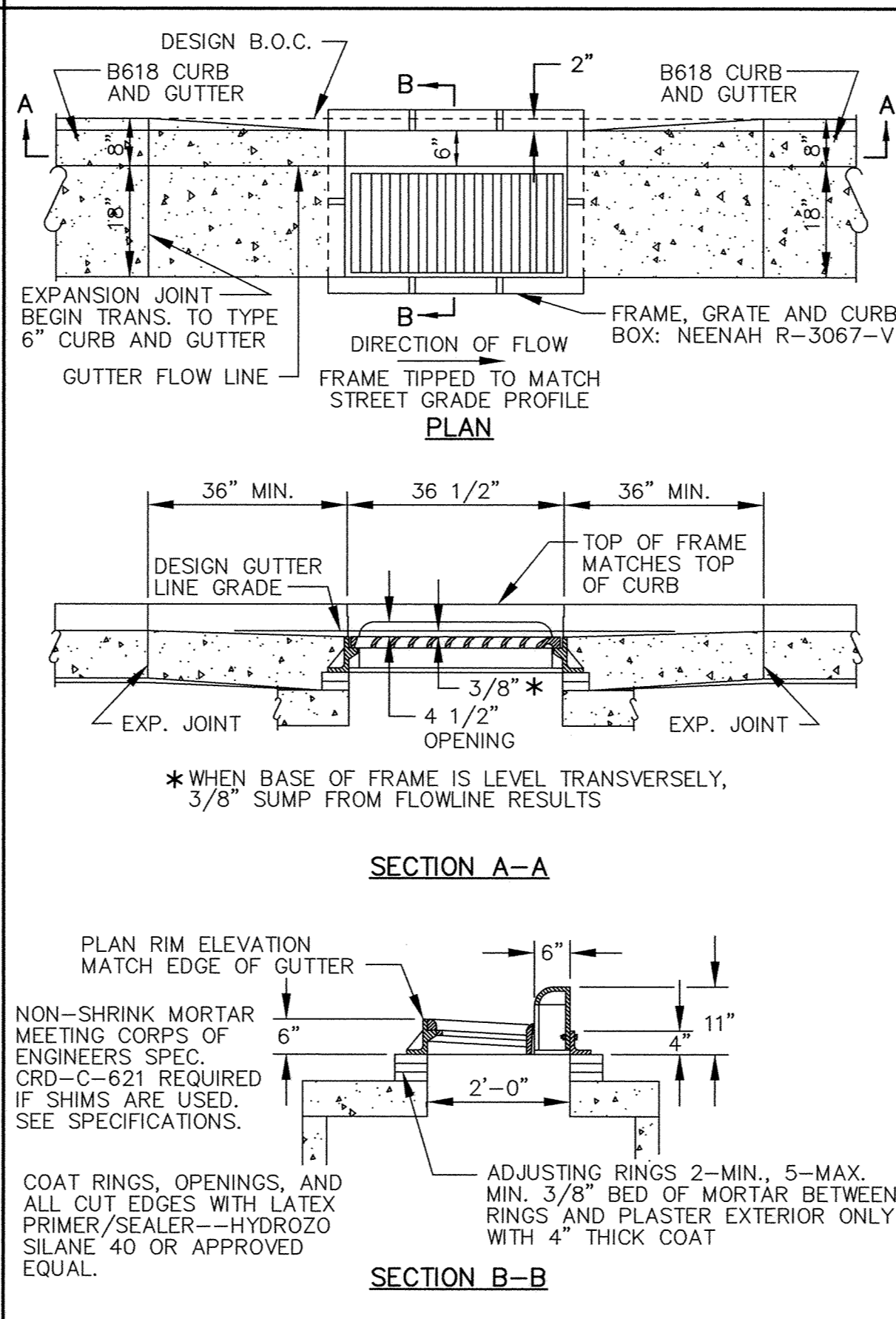
RIP-RAP INSTALLATION



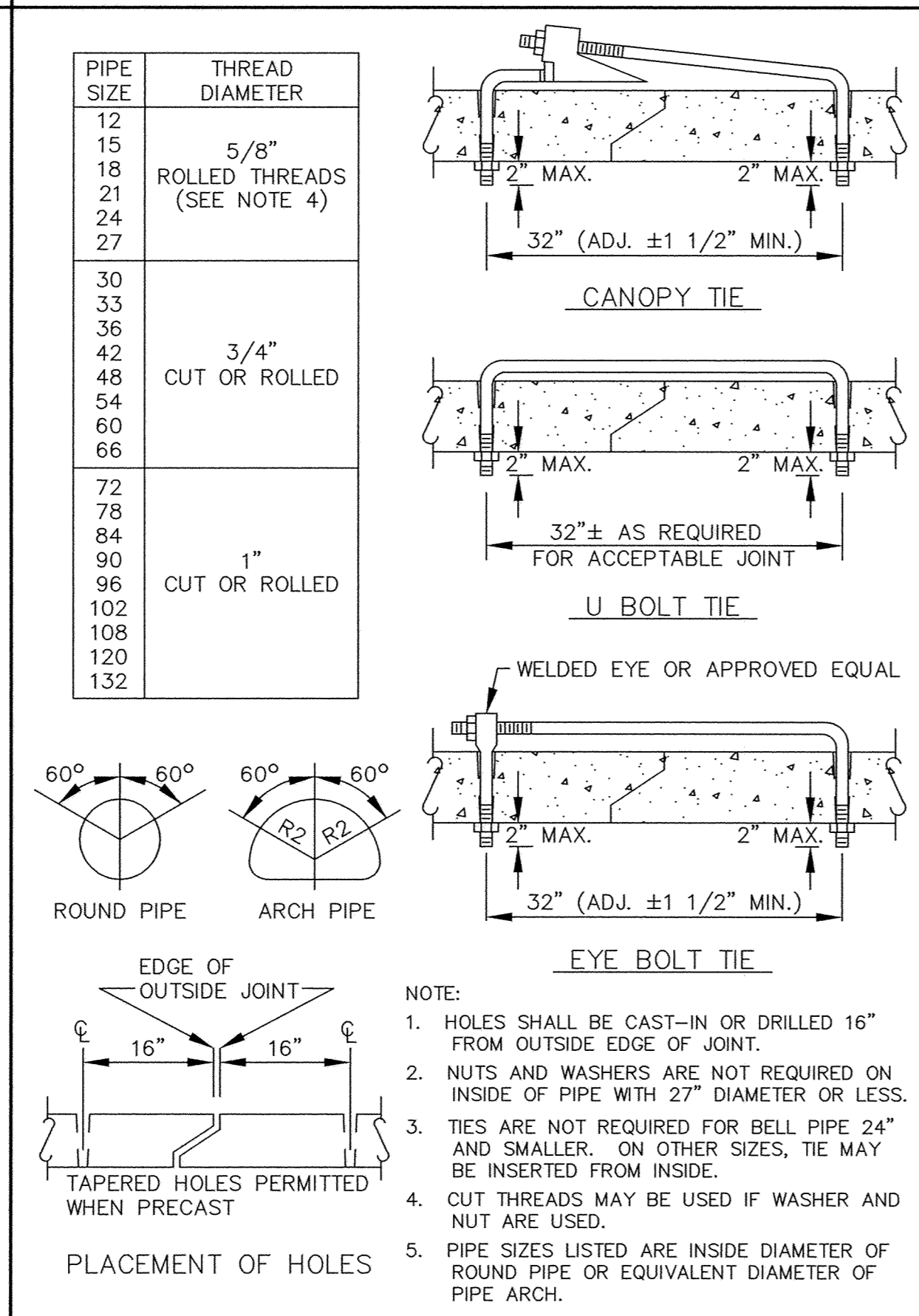
SHALLOW CATCH BASIN



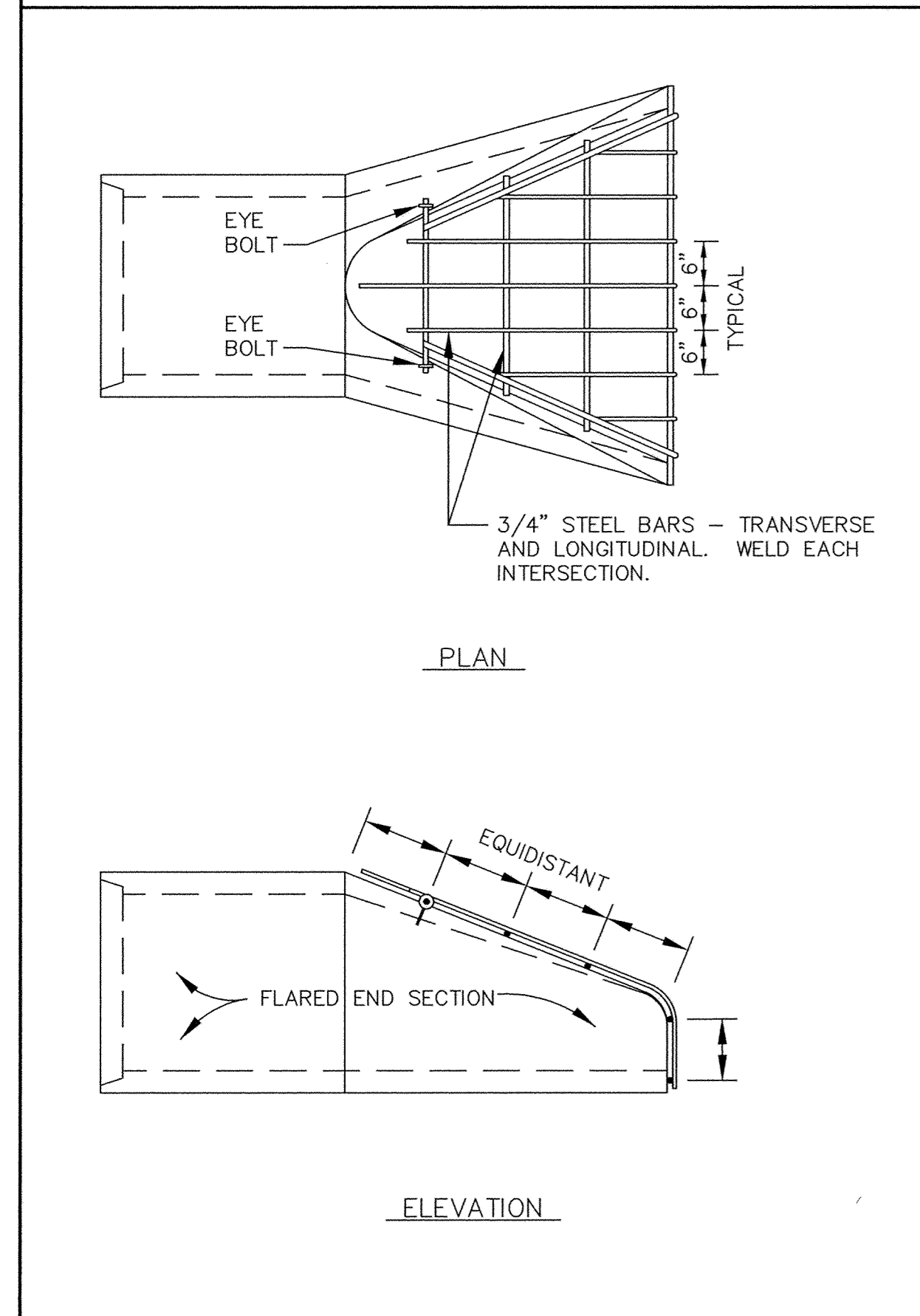
STANDARD INLET CASTING



CATCH BASIN FRAME PLACEMENT
B618 CURB AND GUTTER



CONCRETE PIPE JOINT TIES



TRASH GUARD

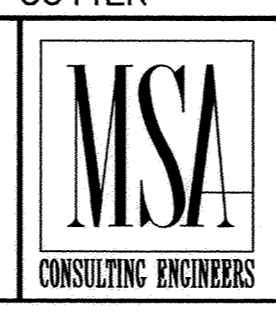
CITY OF ELK RIVER		185TH AVENUE / T.H. 10 TURN LANES	
STORM SEWER DETAILS			
DATE	JAN 1996	SHEET	40 OF 41 SHEETS
PROJECT NO.	230-277		

REVISIONS	DATE	DESCRIPTION	DESIGNED	CHECKED	DRAWN

GRAPHIC SCALE
HORIZ. N/A
VERT. 5

1326 ENERGY PARK DRIVE
ST. PAUL, MINNESOTA 55108
(612) 644-4389

5075 WAYZATA BLVD. SUITE #225
MINNEAPOLIS, MINNESOTA 55416
(612) 546-0432



I HEREBY CERTIFY THAT THIS PLAN, SPECIFICATION, OR REPORT WAS PREPARED BY ME OR UNDER MY DIRECT SUPERVISION AND THAT I AM A DULY REGISTERED PROFESSIONAL ENGINEER UNDER THE LAWS OF THE STATE OF MINNESOTA.

Scott A. Marston
DATE: 3/21/96 REG. NO. 15316

RECORD DRAWING
OCTOBER 1997

ER277-D3