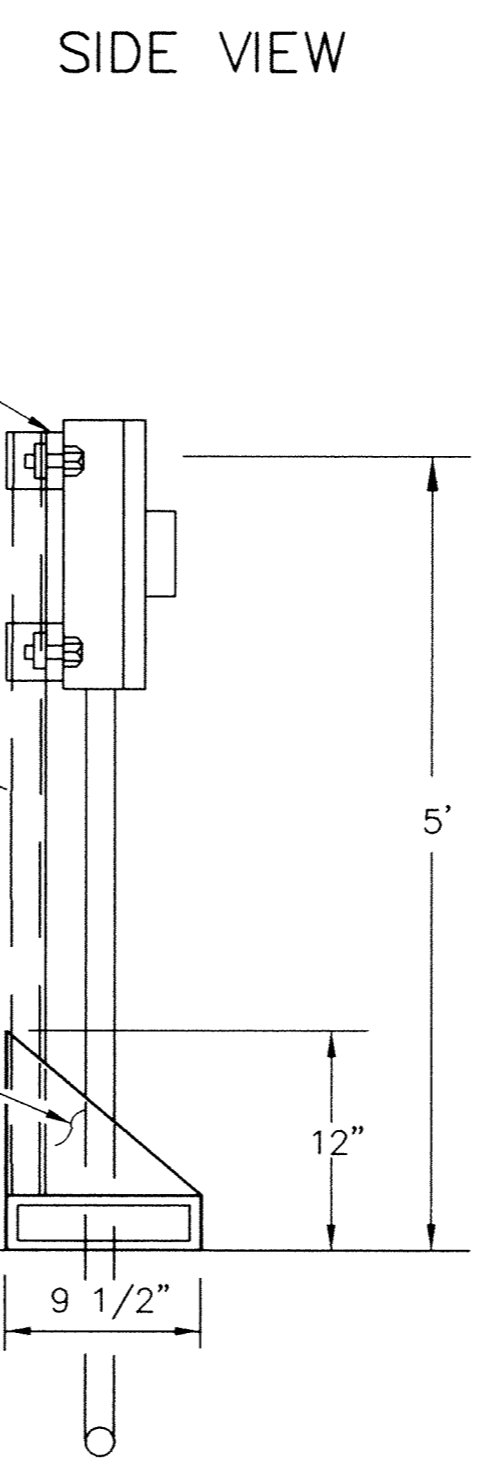
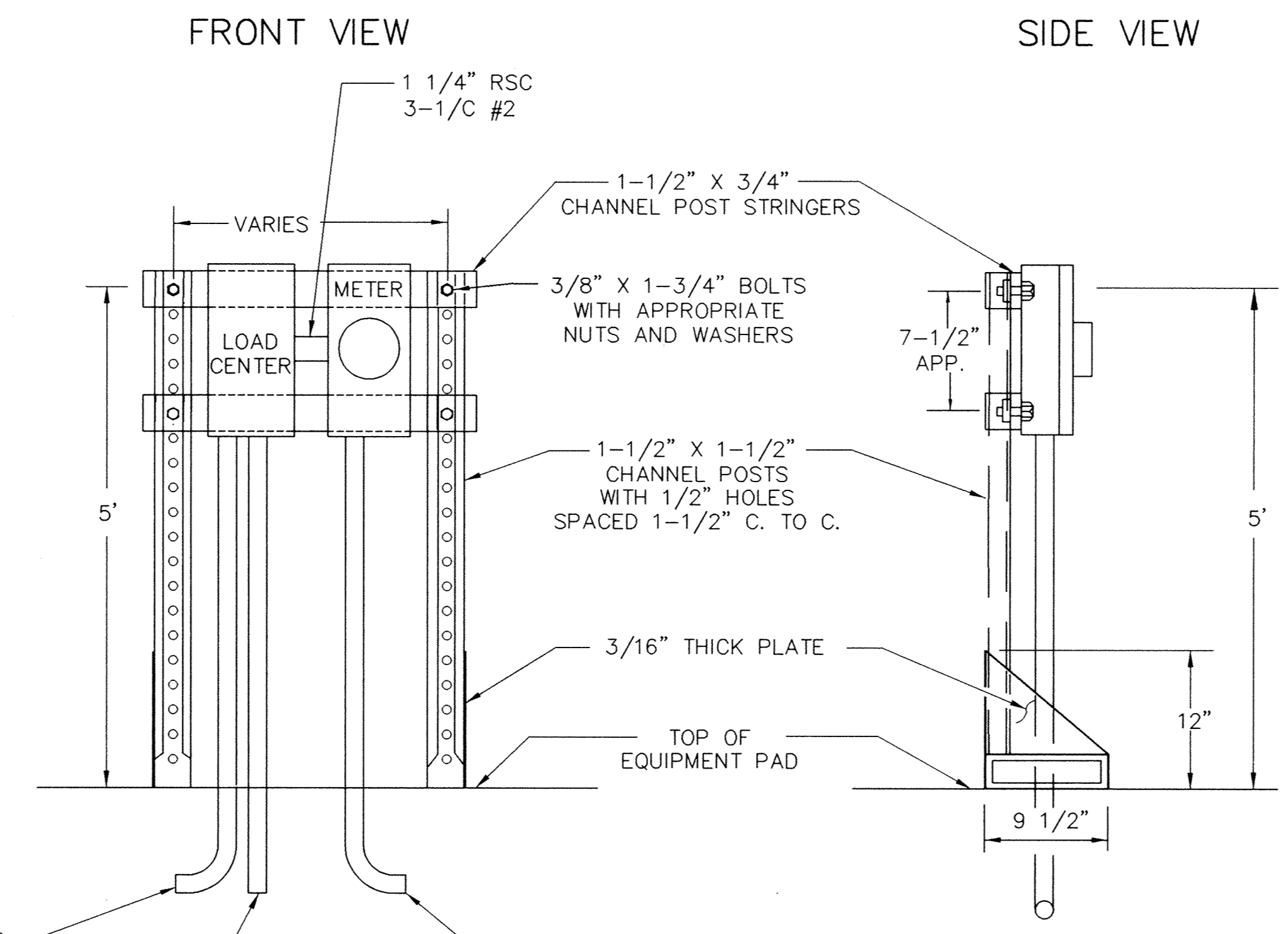
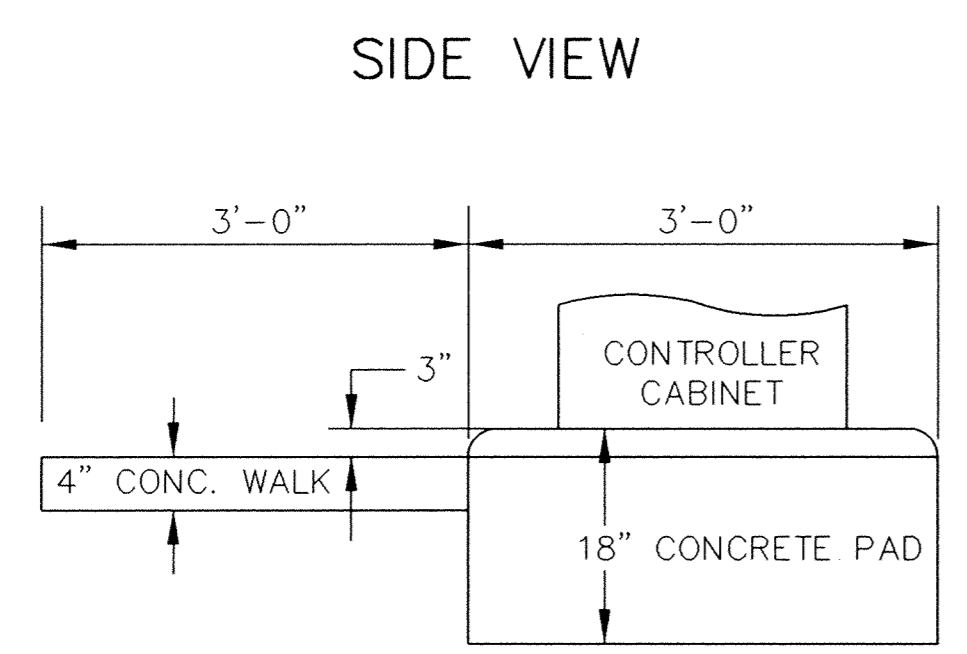
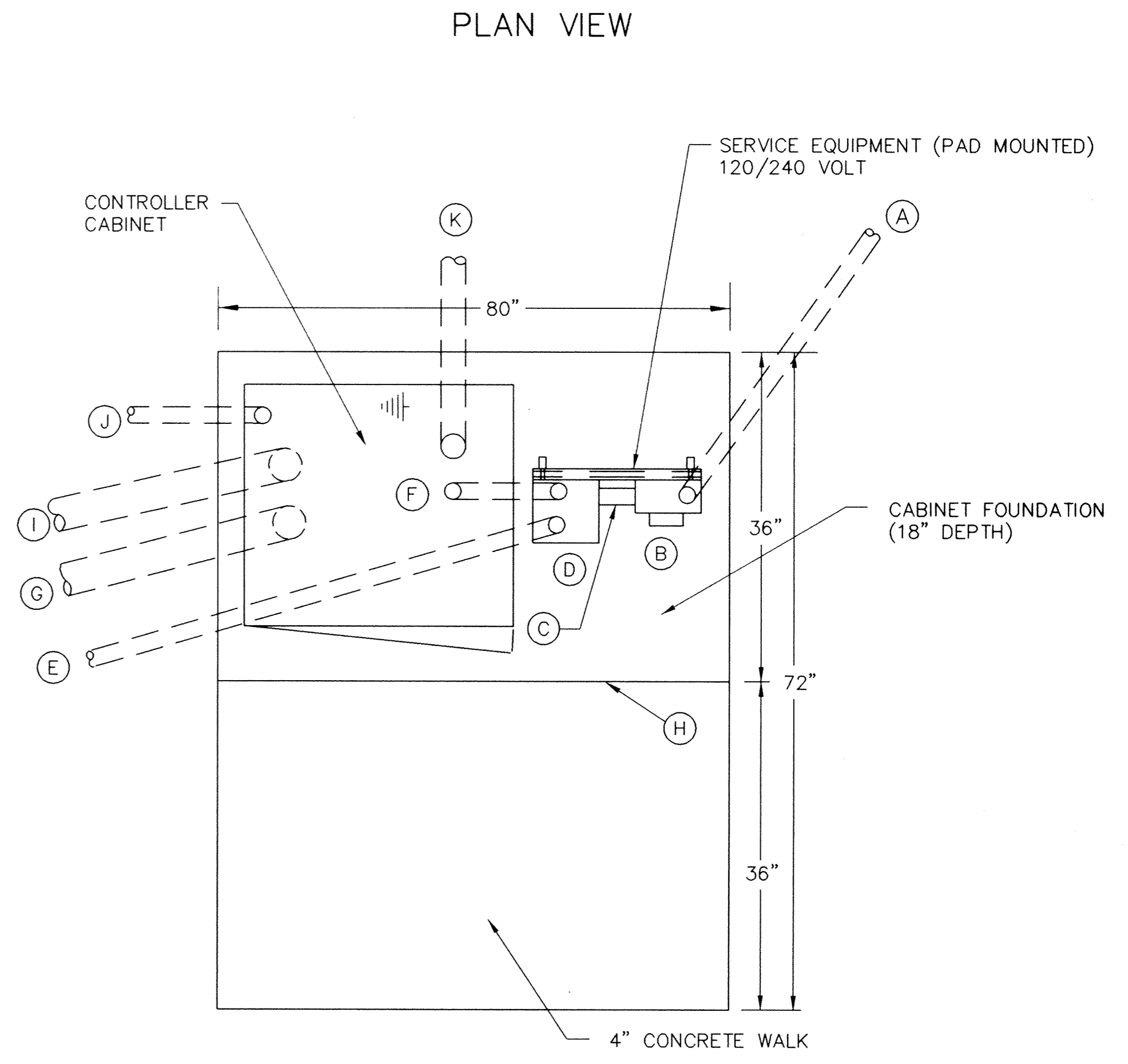
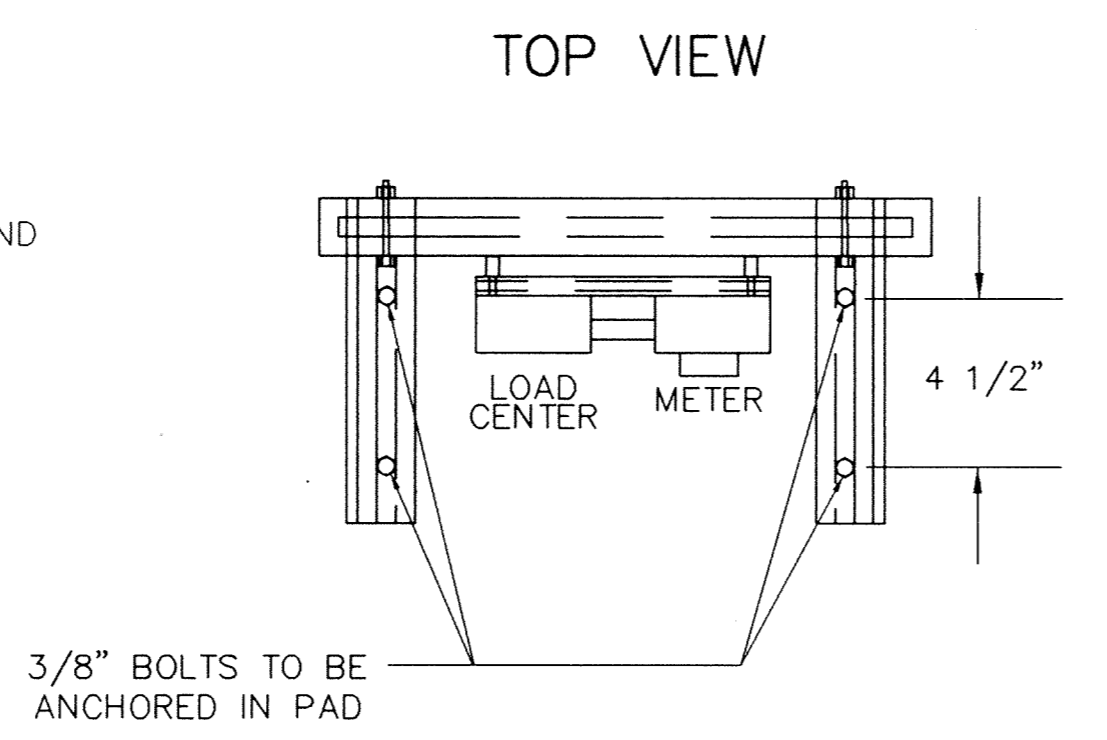
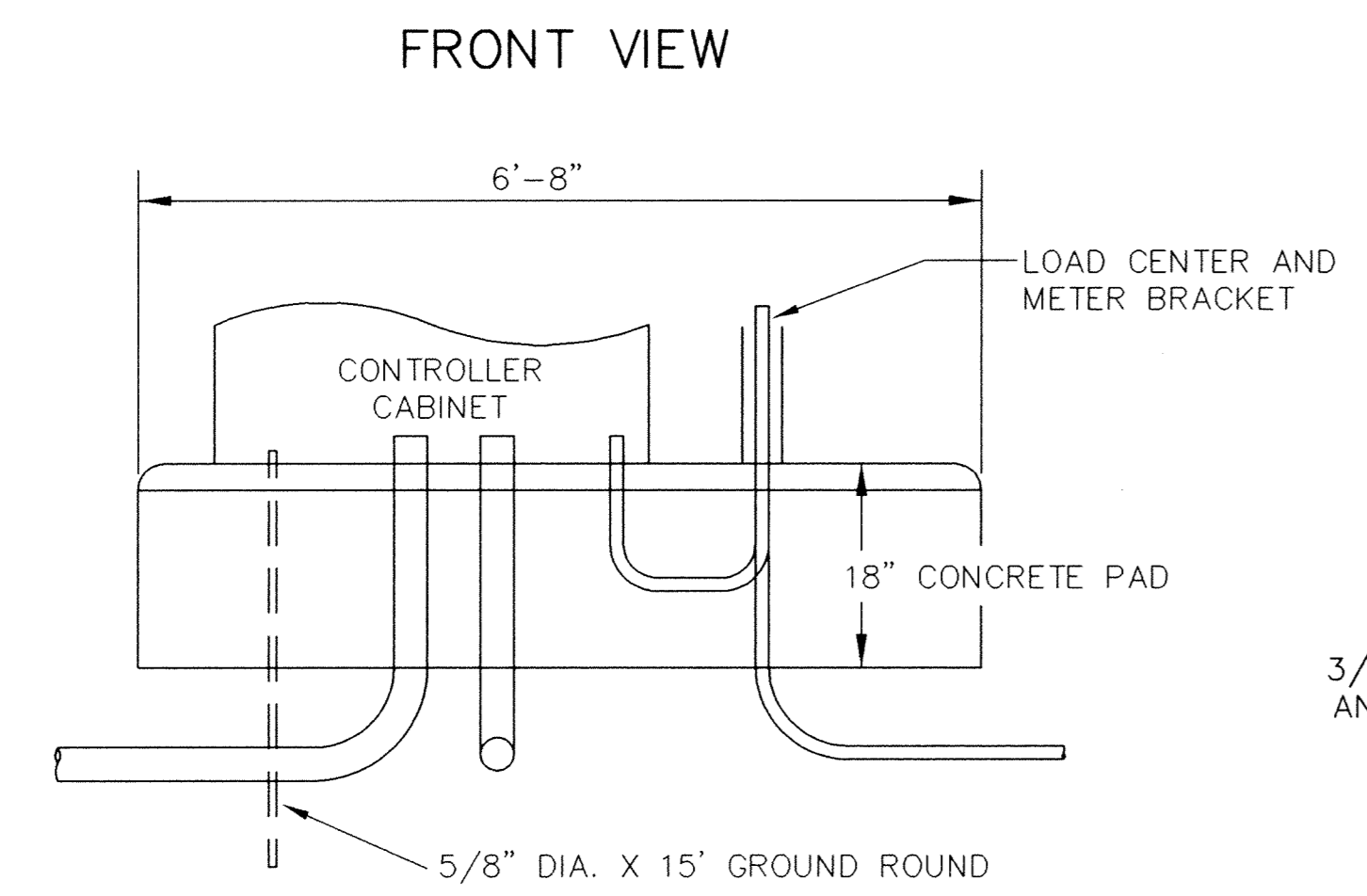
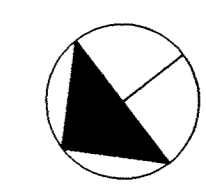


SAICO PRODUCTS • NEW HOPE, MINNESOTA
MEMBER BY PART NUMBER 0552
SAICO PRODUCTS • NEW HOPE, MINNESOTA
MEMBER BY PART NUMBER 0552
SAICO PRODUCTS • NEW HOPE, MINNESOTA
MEMBER BY PART NUMBER 0552
SAICO PRODUCTS • NEW HOPE, MINNESOTA
MEMBER BY PART NUMBER 0552



1 1/4" RSC 2-1/C#6 1-1/C#6 BR. GR. TO SIGNAL CABINET

2" RSC 3-1/C#2 TO HH 17

2" RSC 1-3/C#12(FLASHER) 4-3/C#12(LUM.) TO HH 1

PAD DETAIL

MOUNTING BRACKET FOR SERVICE EQUIPMENT

- (A) 2" RSC WITH 3-1/C#2 TO HH 17
- (B) METER
- (C) 1 1/4" RSC WITH 3-1/C #2
- (D) LOAD CENTER
- (E) 2" RSC WITH 4-3/C#12(LUM.) TO HH 1
- (F) 1 1/4" RSC WITH 2-1/C #6 & 1-1/C#6 BR. GR.
- (G) 4" RSC TO HH 1
- (H) PREFORMED JOINT FILLER
- (I) 4" RSC TO HH 16
- (J) 2" RSC STUB OUT (THREADED AND CAPPED BOTH ENDS)
- (K) 3" RSC STUB OUT (THREADED AND CAPPED BOTH ENDS)

I HEREBY CERTIFY THAT THIS PLAN, SPECIFICATION, OR REPORT WAS PREPARED BY ME OR UNDER MY DIRECT SUPERVISION AND THAT I AM A DULY REGISTERED PROFESSIONAL ENGINEER UNDER THE LAWS OF THE STATE OF MINNESOTA. <i>George H. Stumpff</i> DATE 10/26/95 REG. NO. 21849		1326 ENERGY PARK DRIVE ST. PAUL, MINNESOTA 55108 (612) 644-4389 5075 WAYZATA BLVD. SUITE #225 MINNEAPOLIS, MINNESOTA 55416 (612) 546-0432	DATE	DESCRIPTION	DESIGNED GMS	CITY OF ELK RIVER TRAFFIC CONTROL SIGNAL SYSTEM EQUIPMENT PAD DETAILS T.H. 10 AT JOPLIN AVE./185TH AVE.
			REVISIONS		CHECKED	
			GRAPHIC SCALE	0 N/A		SHEET 35 OF 41 SHEETS
			VERT.	N/A		PROJECT NO. 230-277