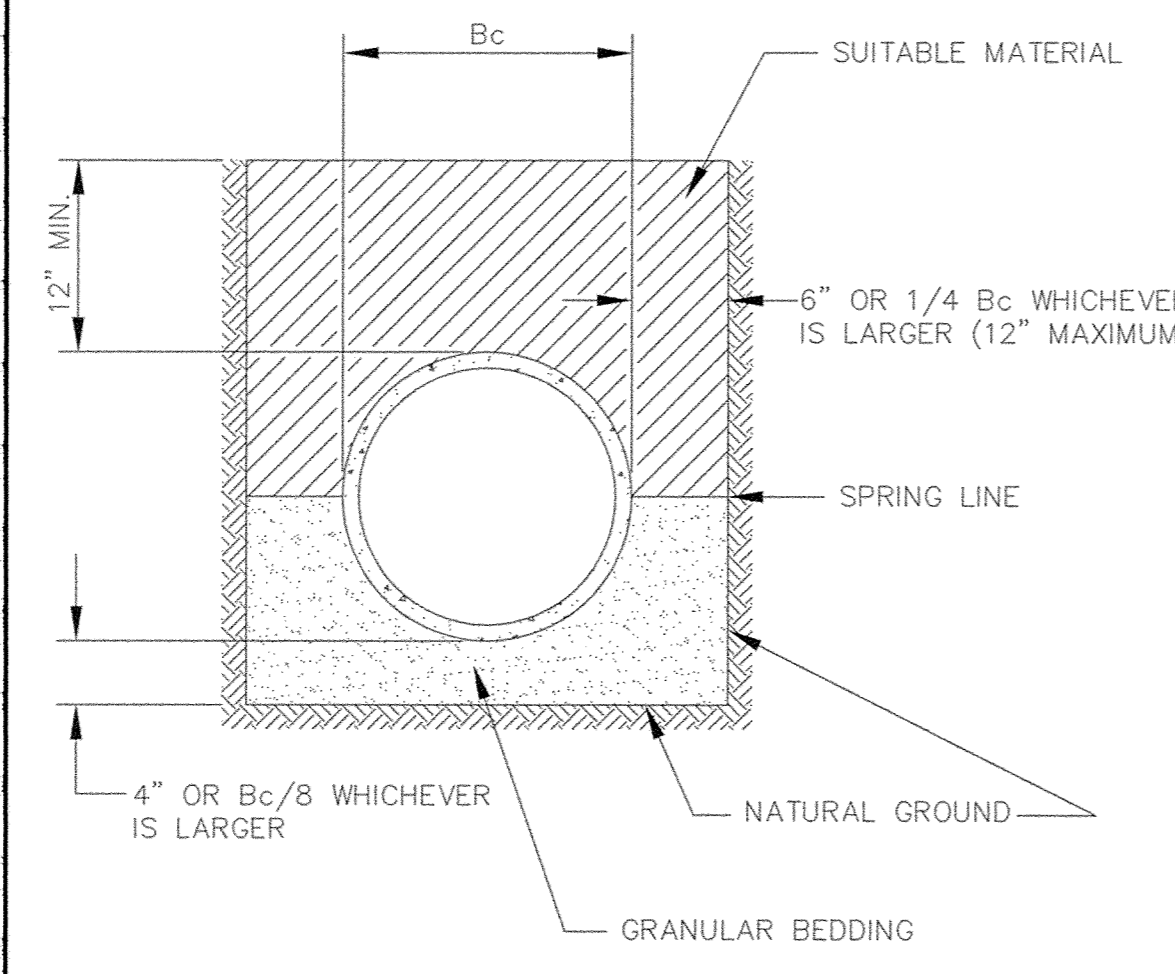


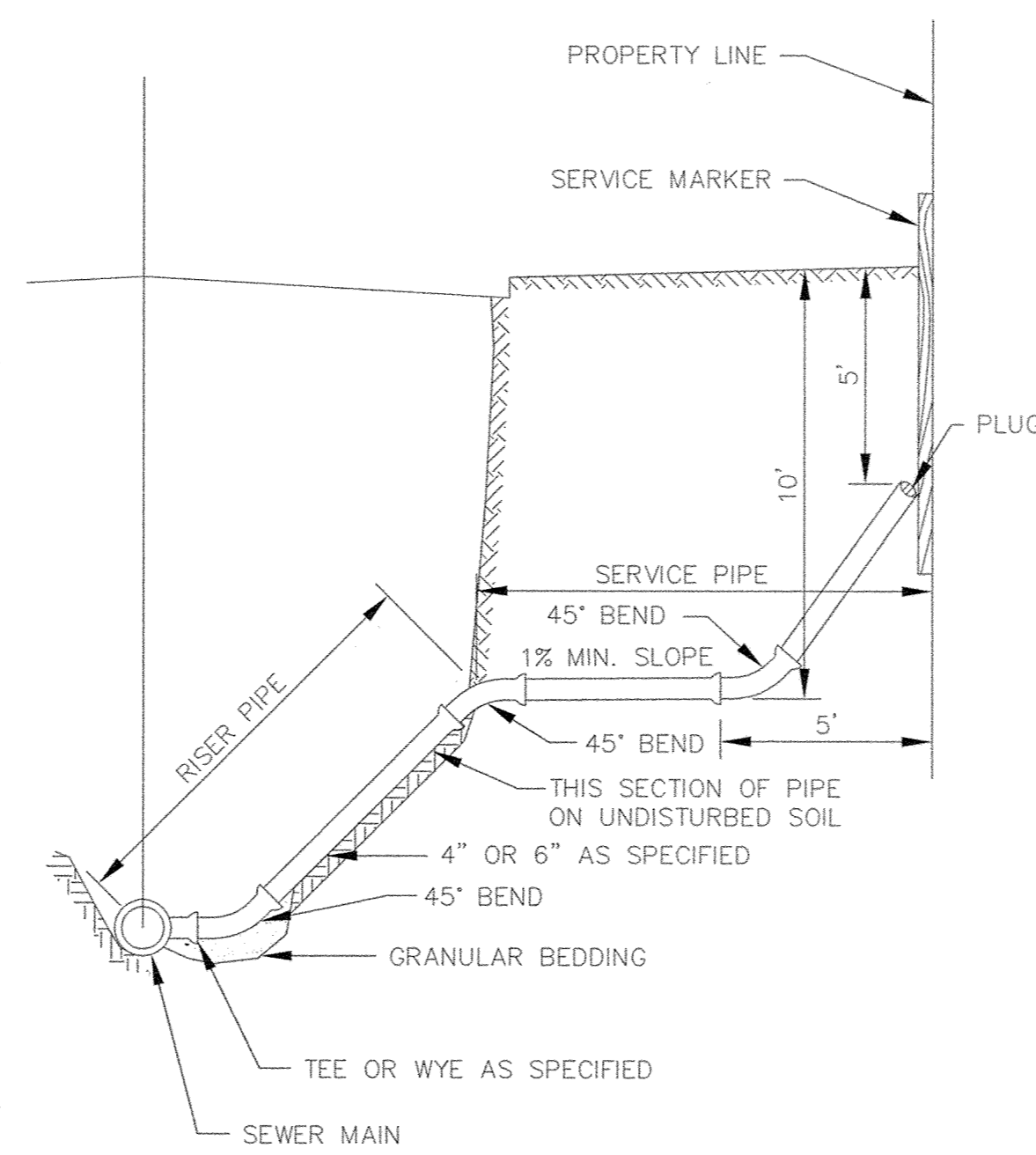
NOTE:
THIS TYPE MANHOLE SHALL BE USED
WHEN SPECIFIED OR WHEN THE MANHOLE
DEPTH IS LESS THAN EIGHT FEET.

SLAB TOP MANHOLE



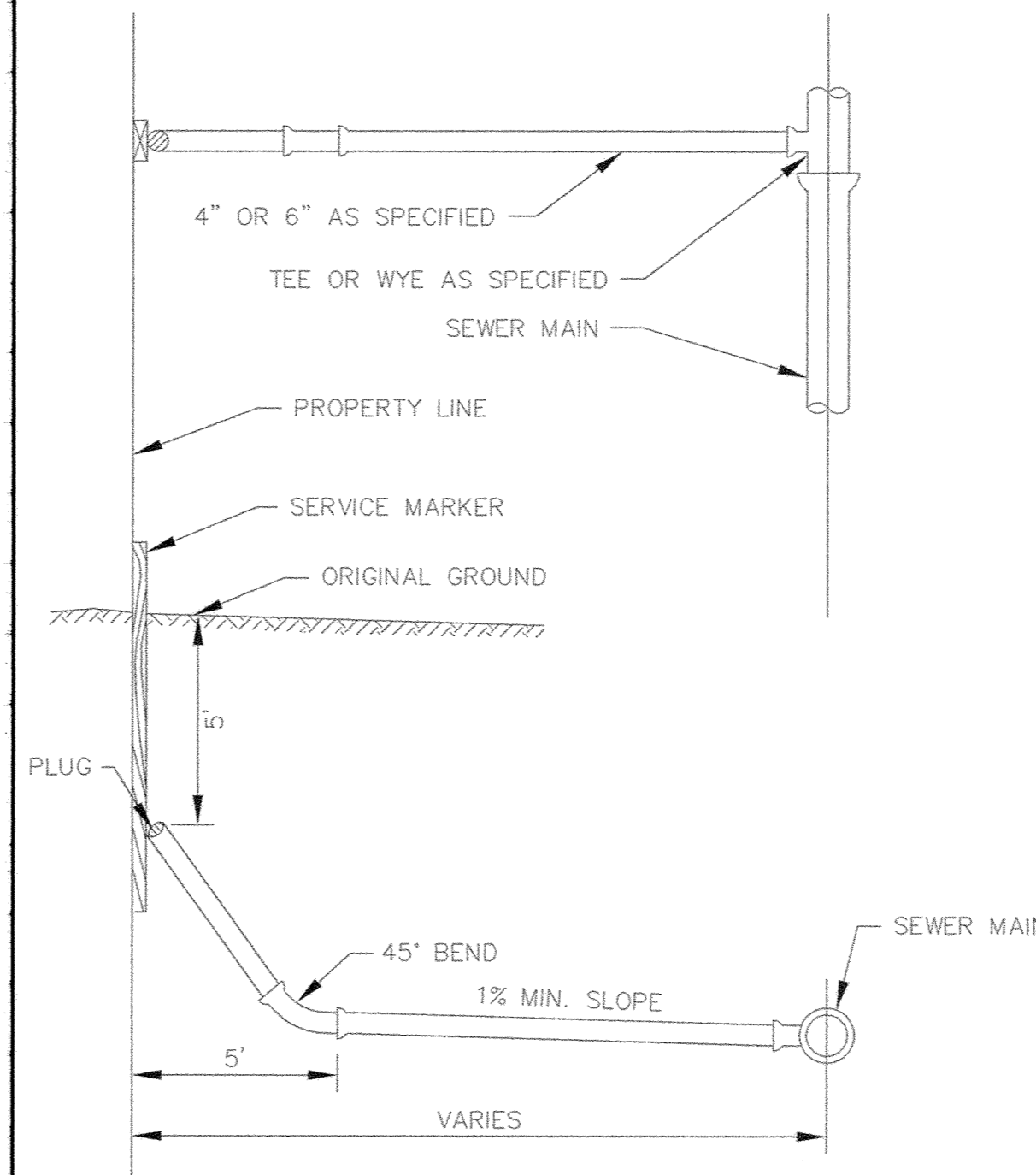
NOTE: ALL COSTS OF EXCAVATION BELOW GRADE
AND PLACEMENT OF GRANULAR BEDDING
SHALL BE INCLUDED IN THE BID PRICES
FOR PIPE ITEMS.

CLASS B PIPE BEDDING

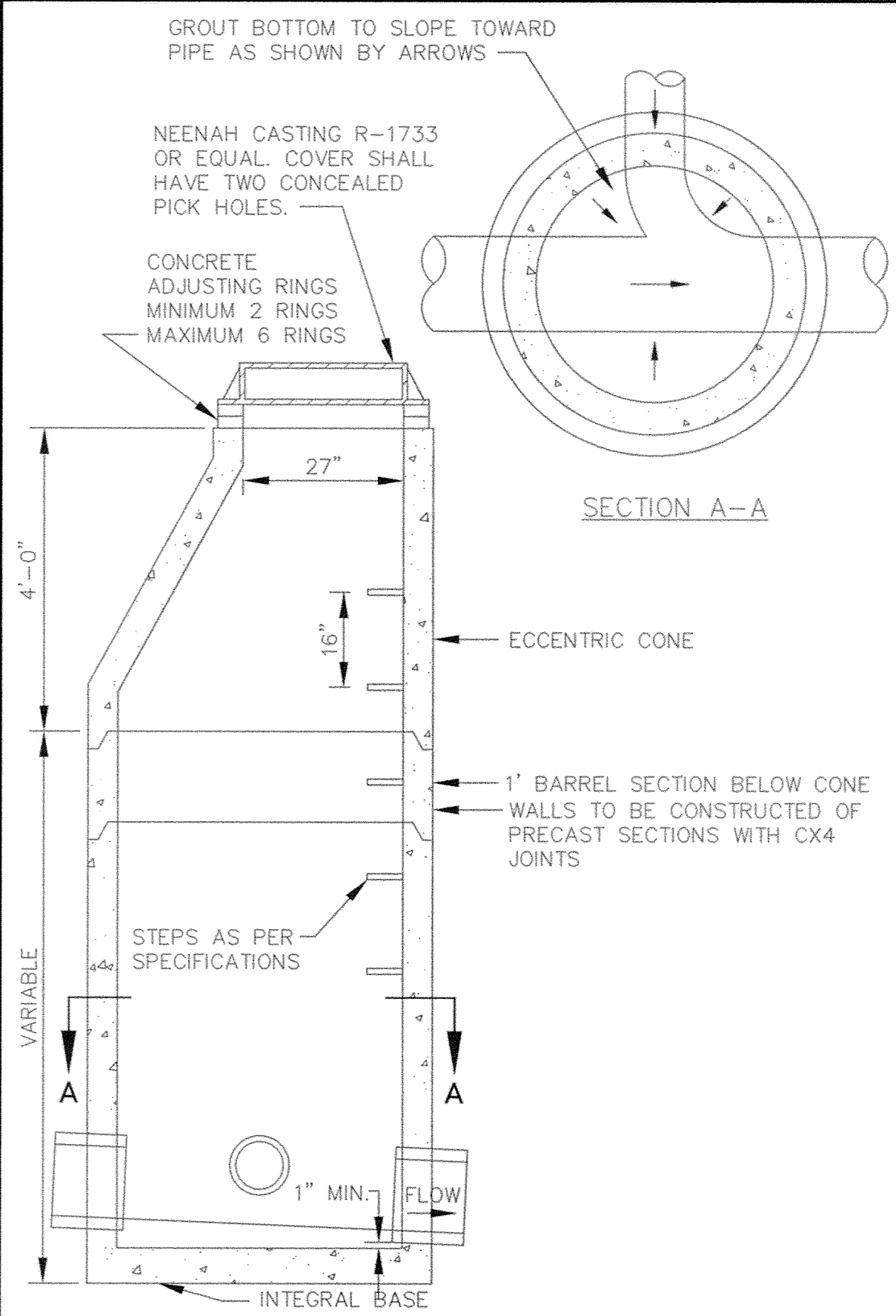


TO BE USED AS SERVICE CONNECTIONS ON DEEP LINES

SERVICE RISER SECTION



TYPICAL HOUSE SERVICE



STANDARD MANHOLE

DESIGNED BY: KJT DRAWN BY: RKM
APPROVED: TJM JOB NUMBER 806550J
CAD DATE: July 20, 2001 2:32:48 p.m.
CAD FILE: 806550J\MISC\806550-D1.DWG

I HEREBY CERTIFY THAT THIS PLAN, SPECIFICATION,
OR REPORT WAS PREPARED BY ME OR UNDER MY DIRECT
SUPERVISION AND THAT I AM A DULY LICENSED
PROFESSIONAL ENGINEER UNDER THE LAWS OF THE
STATE OF MINNESOTA.
DATE _____
TERRY J. MAURER LIC. 15316

NO.	DATE	BY	REVISION DESCRIPTION

1326 ENERGY PARK DRIVE
ST. PAUL, MINNESOTA 55108
(651) 644-4389

Howard R. Green Company
CONSULTING ENGINEERS

175TH AVENUE
CITY OF ELK RIVER
175TH AVENUE

SANITARY SEWER DETAILS
SP. 204-111-04

SHEET NO.
39

SARGO PRODUCTS • NEWYORK, MINNESOTA
 REVISION 01 PART NUMBER 6532
 SARGO PRODUCTS • NEWYORK, MINNESOTA
 REVISION 01 PART NUMBER 6532
 SARGO PRODUCTS • NEWYORK, MINNESOTA
 REVISION 01 PART NUMBER 6532
 SARGO PRODUCTS • NEWYORK, MINNESOTA
 REVISION 01 PART NUMBER 6532