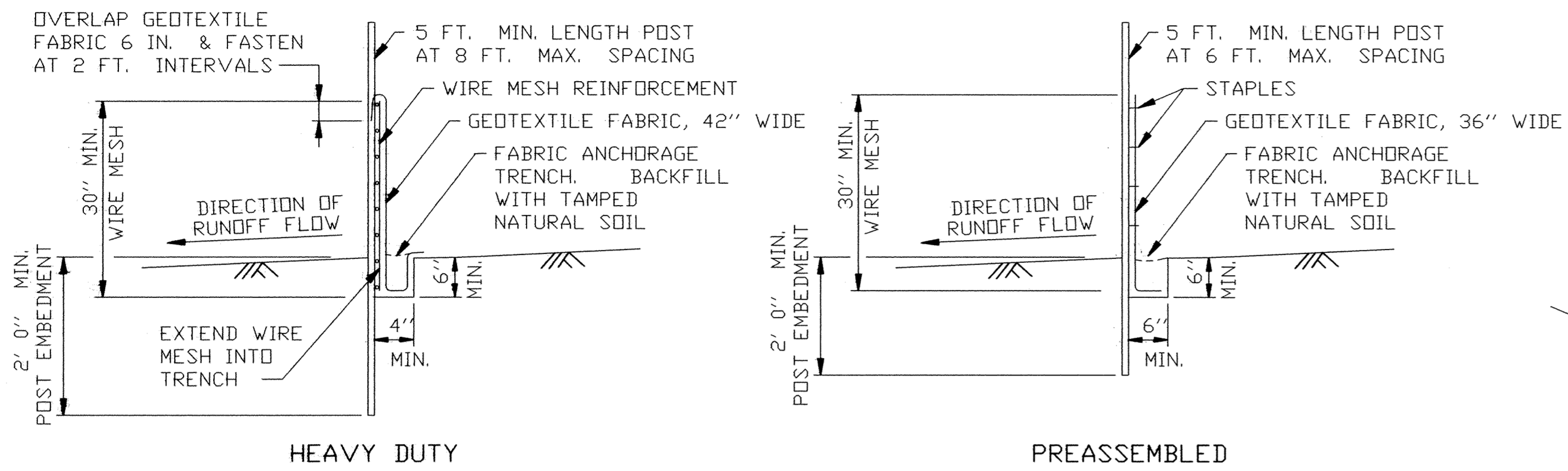
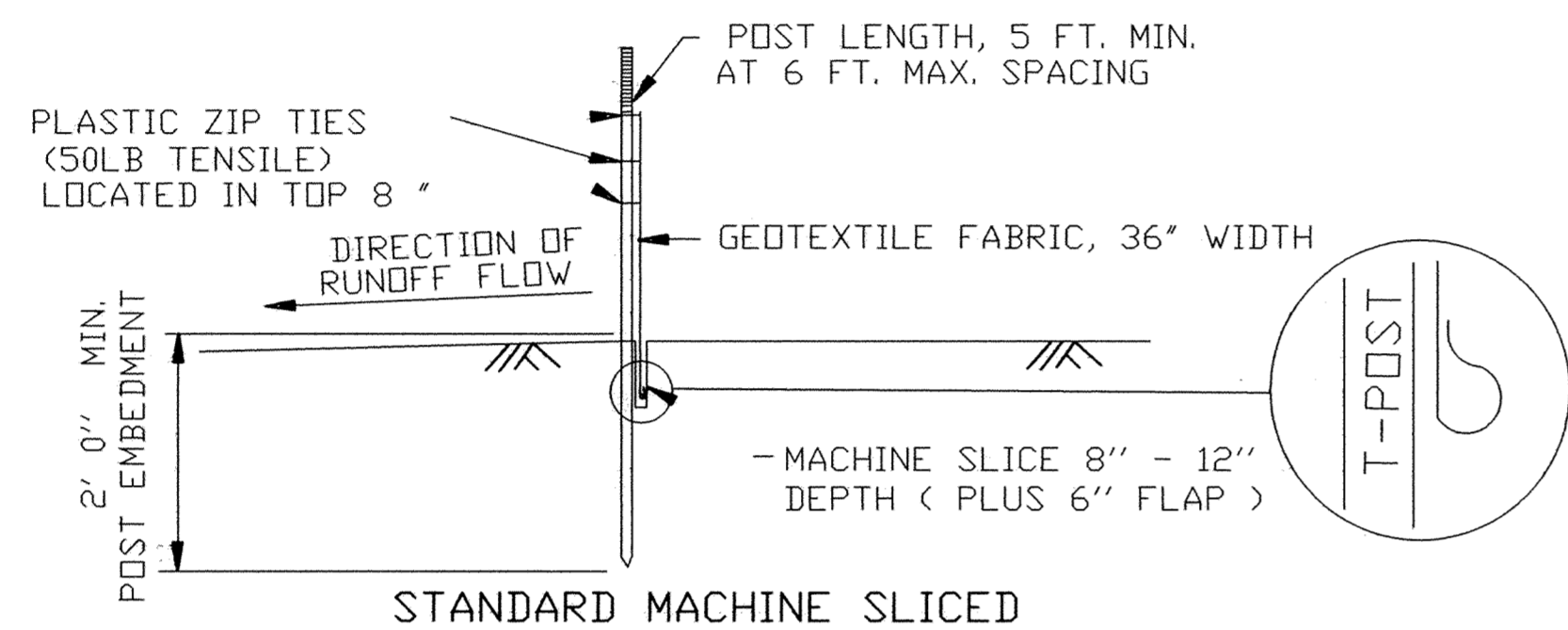


SD PRODUCTIONS • NEW HYDRO, MINNESOTA  
REVISION DATE OF PART NUMBER 8/25/99



HEAVY DUTY

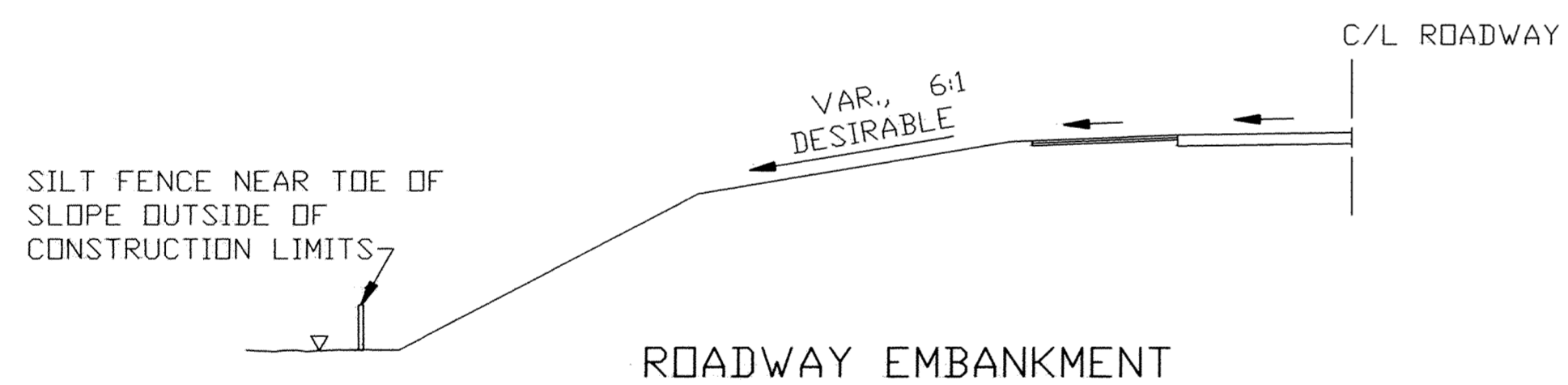
PREASSEMBLED



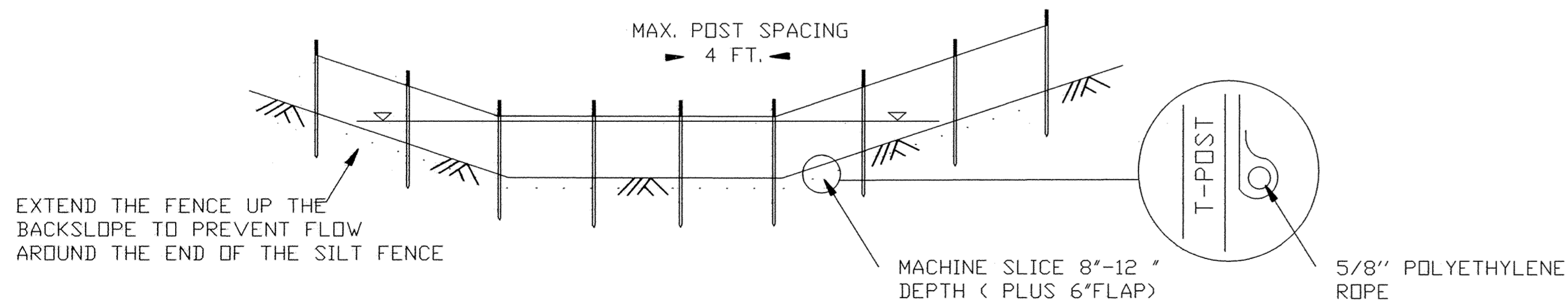
STANDARD MACHINE SLICED

DESIGN CRITERIA:  
MAXIMUM CONTRIBUTING AREA: 3 ACRES

SILT FENCE DETAILS  
TO PROTECT AREAS FROM SHEET FLOW  
(SEE SPEC. 3886)



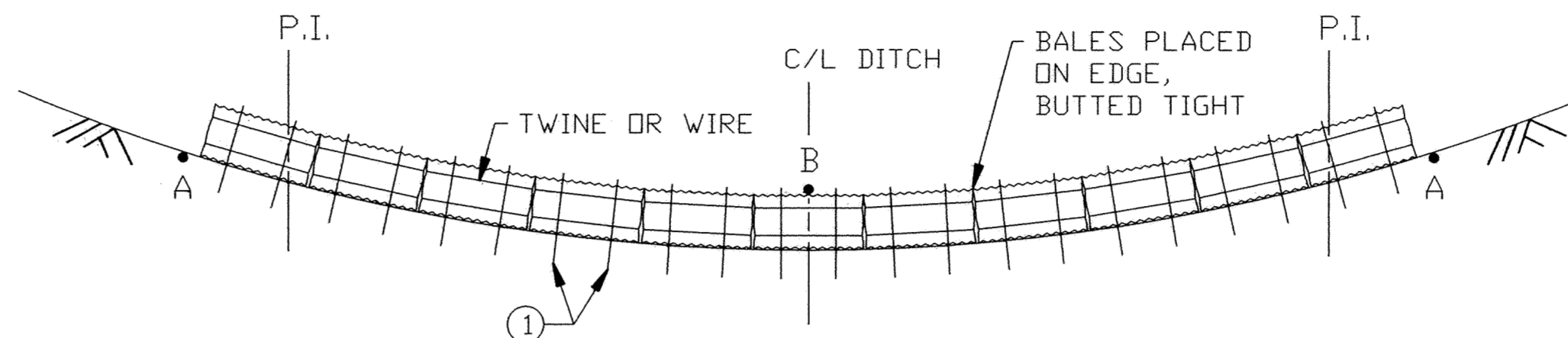
ROADWAY EMBANKMENT



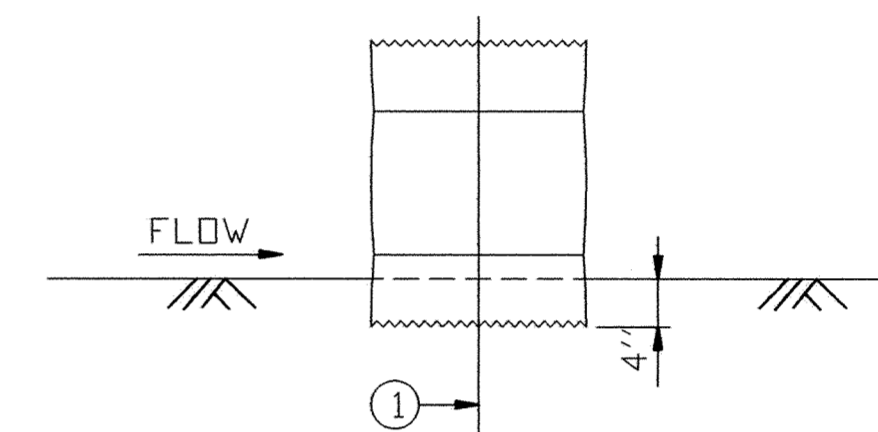
SPACING DISTANCE = SILT FENCE HEIGHT / 1/2 CHANNEL SLOPE

SILT FENCE DITCH CHECK  
TYPE MACHINE SLICED

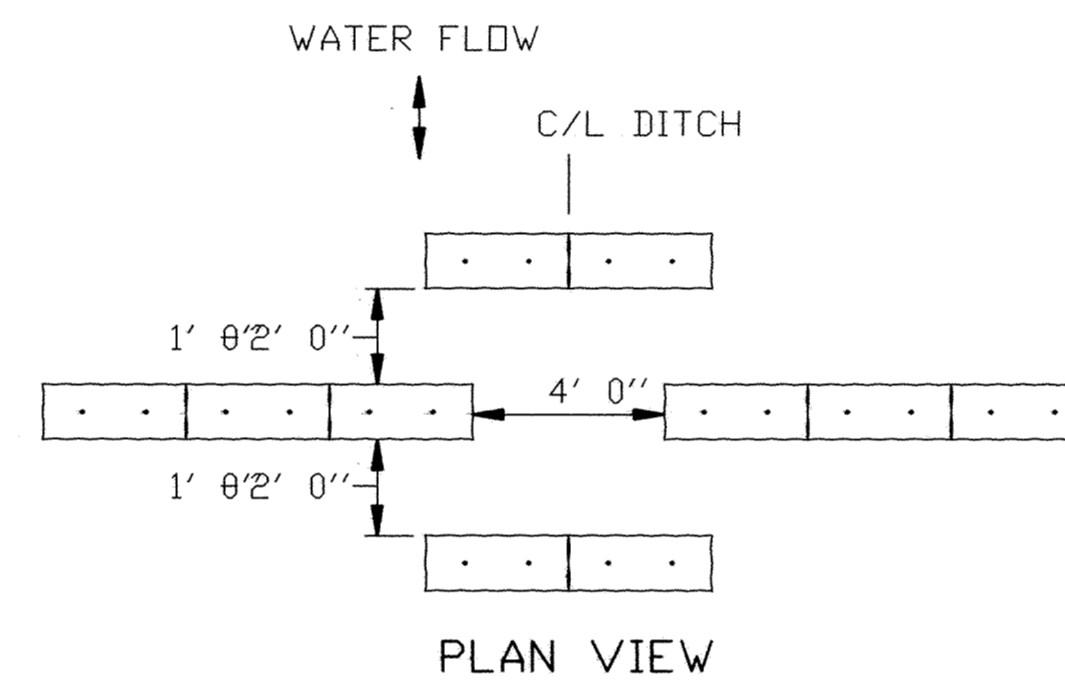
NOTE: WHEN SEDIMENT BUILD UP REACHES 1.5 FT. THE SILT SHOULD BE REMOVED OR A SECOND SILT FENCE BUILT UPSTREAM THE EXISTING ONE AT A SUITABLE DISTANCE.



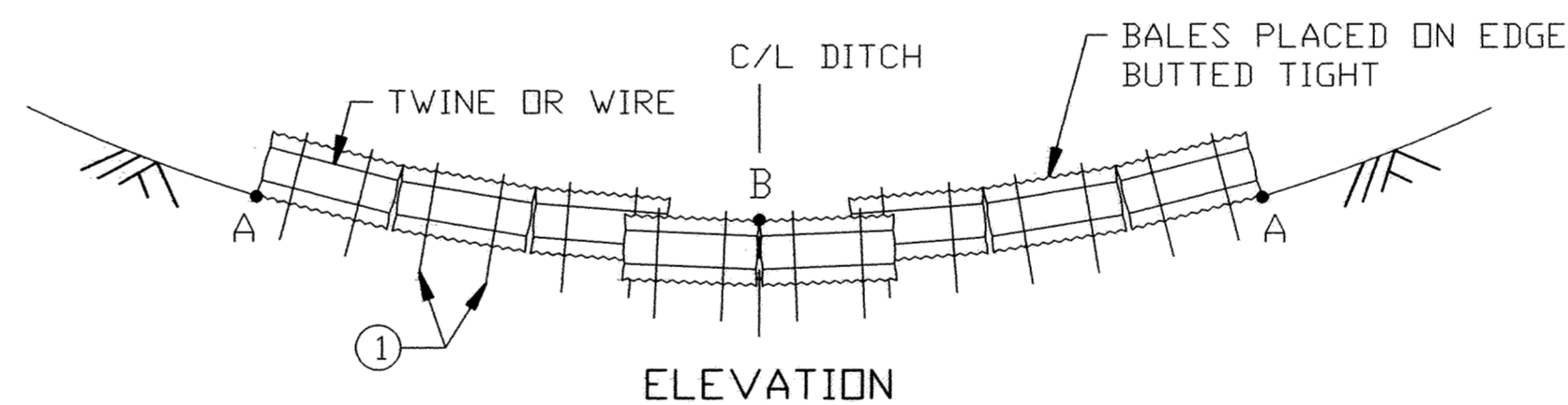
NOTE:  
POINT A MUST BE HIGHER THAN POINT B  
BALE DITCH SEDIMENT CHECK



BALE CHECK DETAIL



PLAN VIEW



ELEVATION

NOTE:  
POINT A MUST BE HIGHER THAN POINT B  
BALE DITCH VELOCITY CHECKS  
( WILL REQUIRE A MINIMUM OF 10 BALES PER SITE )

RECOMMENDED SPACING BETWEEN DITCH CHECKS	
DITCH GRADE (%)	SPACING (FT.)
2	100
4	75
6	50
8	40
10	25

DESIGN CRITERIA:

	BALE	ROCK
STORM FREQUENCY:	2 YR. - 24 HR.	10 YR. - 24 HR.
MAX. FLOW VELOCITY:	5 FT./SEC.	12 FT./SEC.
MAX. DITCH GRADE:	5%	—
MAX. DRAINAGE AREA:	2 ACRES	5 ACRES

NOTE:  
① TWO 2 IN. X 2 IN. WOOD STAKES OR REINFORCING BARS IN EACH BALE AND EMBEDDED IN THE GROUND 10 IN. MINIMUM.

DESIGN CRITERIA	
STORM FREQUENCY	2 YR. - 24 HR.
MAX. DITCH GRADE	5%
MAX. DRAINAGE AREA	1 ACRE

STANDARD SHEET NO.  
5-297.405 (2 OF 3)  
STANDARD APPROVED:  
MAY 1, 1995

TITLE:

TEMPORARY EROSION CONTROL