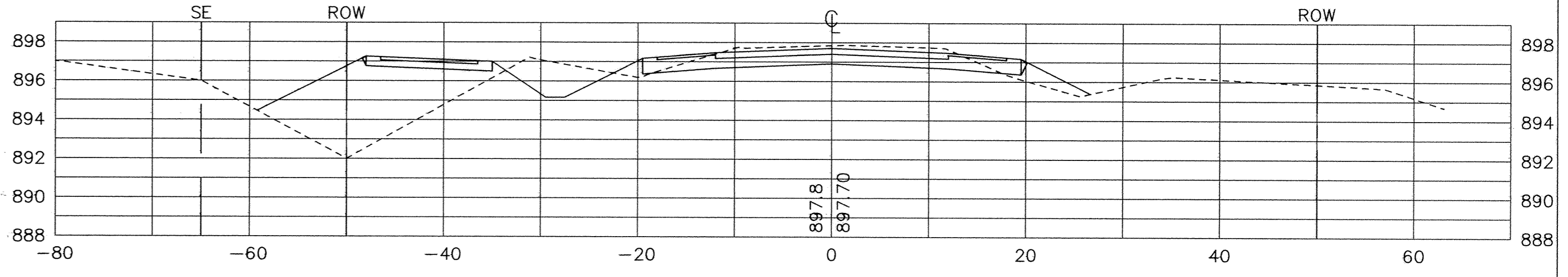
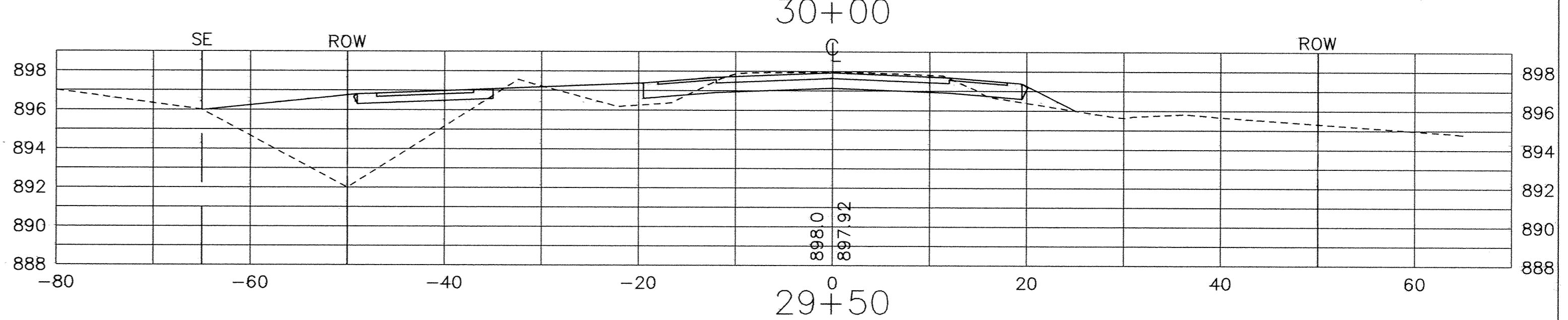
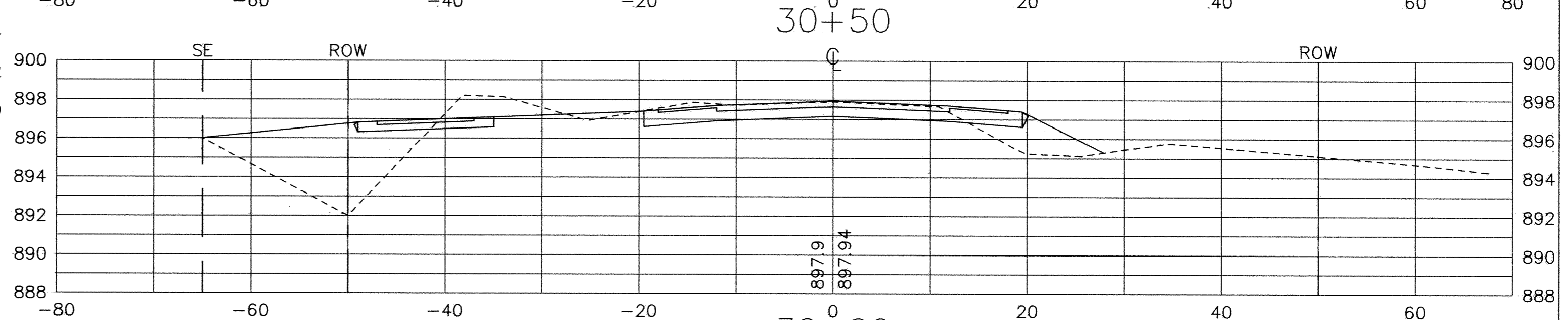
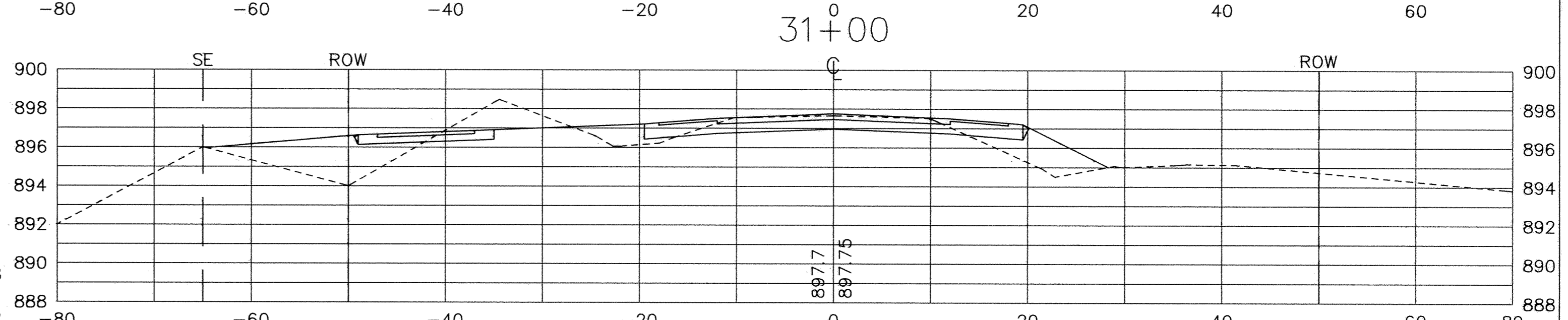
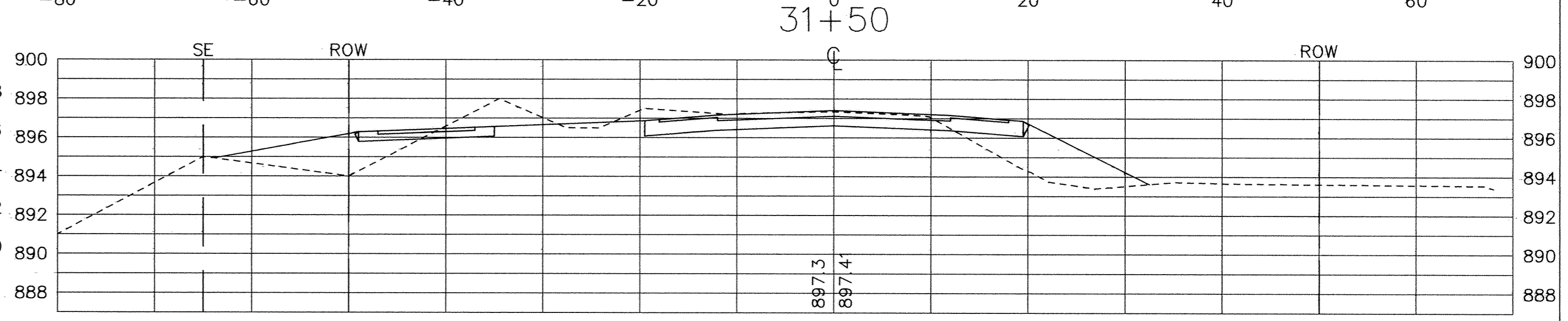
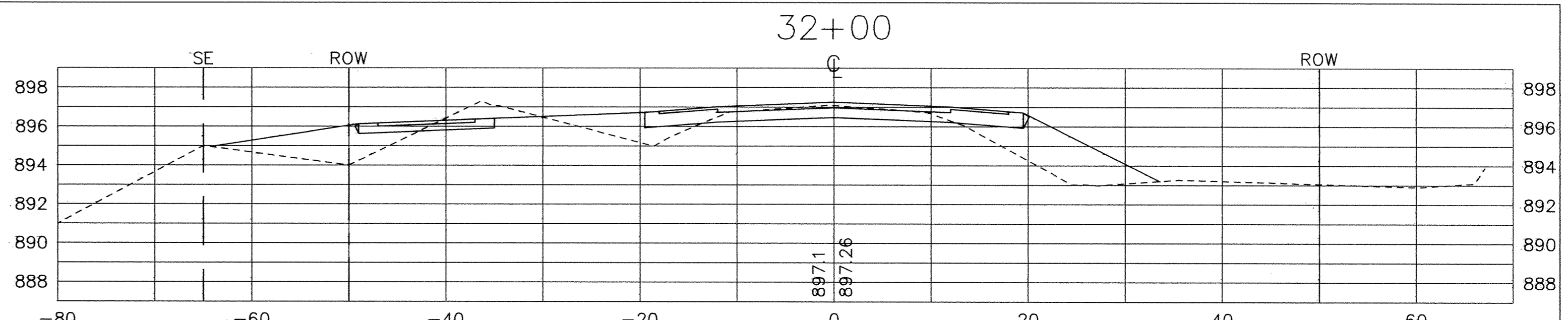
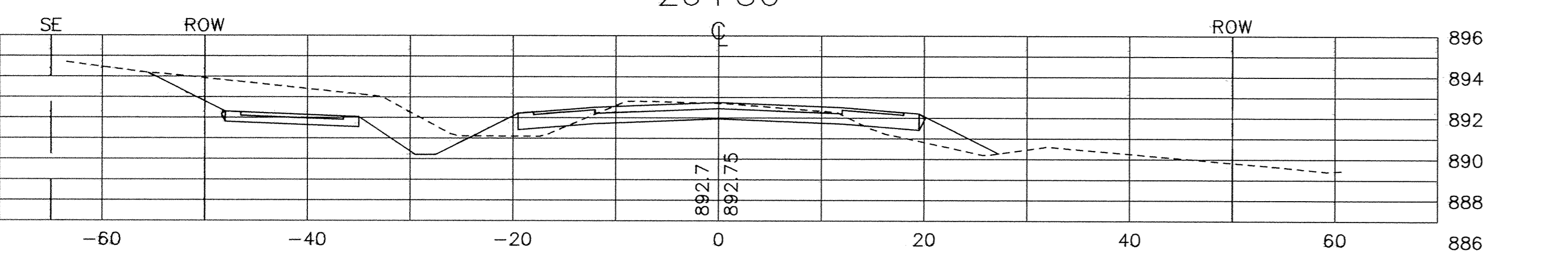
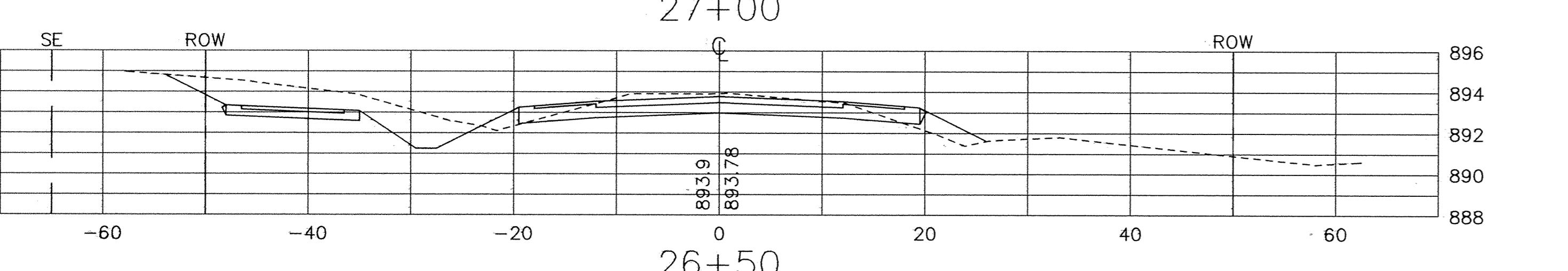
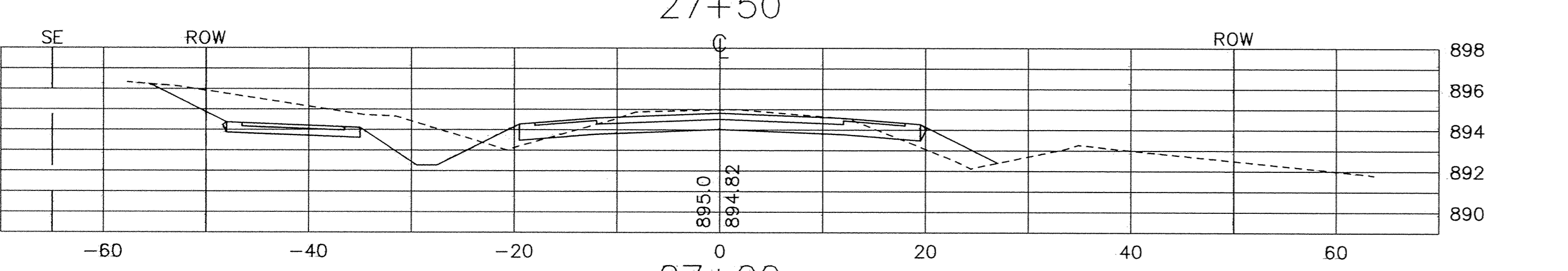
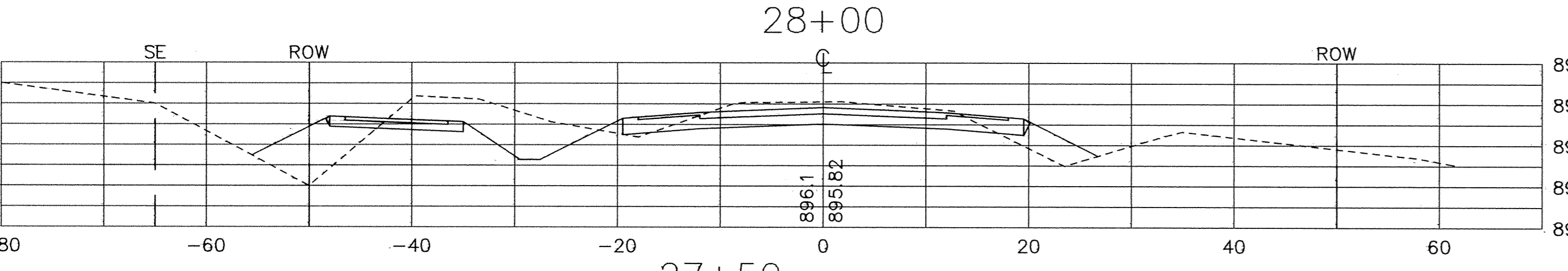
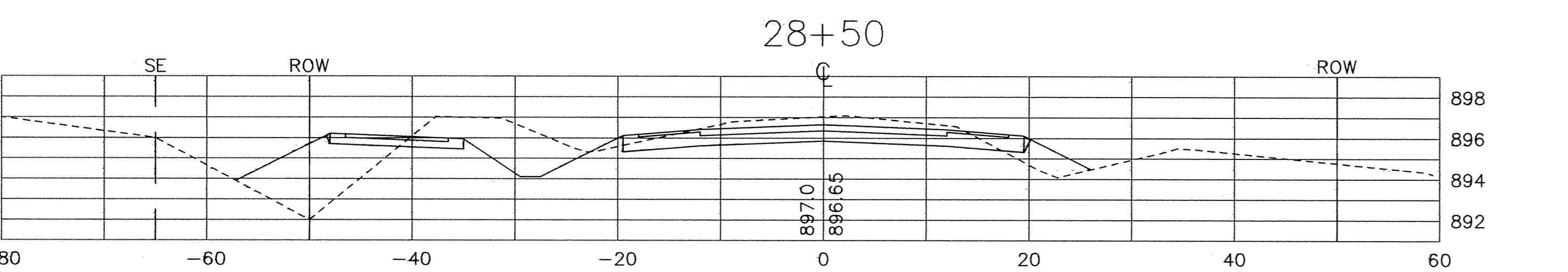
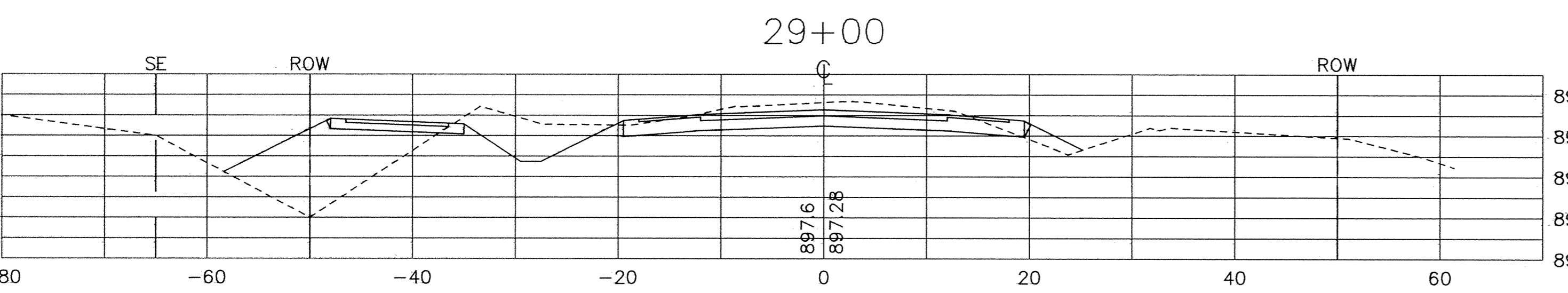
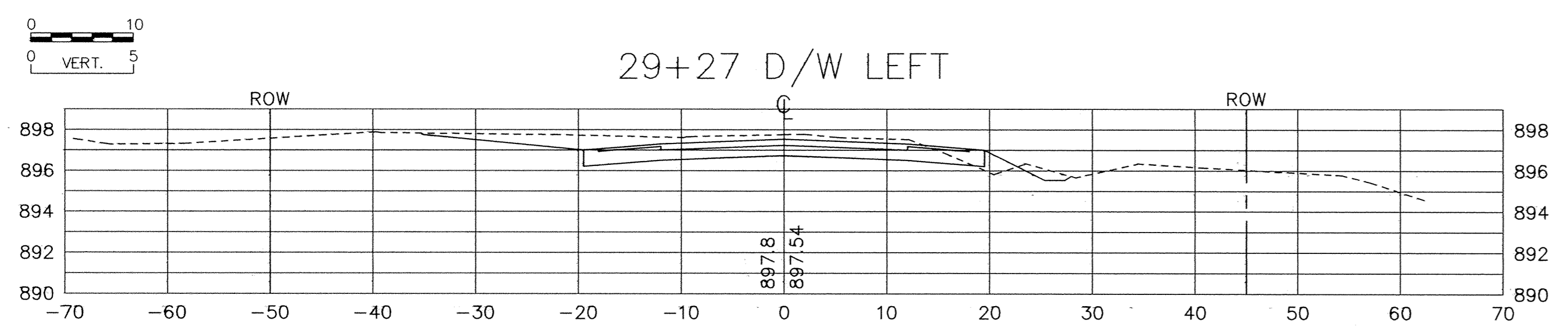



S&CO PRODUCTS • NEW HOPE, MINNESOTA
REGISTERED BY PLAN NUMBER 5532
S&CO PRODUCTS • NEW HOPE, MINNESOTA
REGISTERED BY PLAN NUMBER 5532
S&CO PRODUCTS • NEW HOPE, MINNESOTA
REGISTERED BY PLAN NUMBER 5532
S&CO PRODUCTS • NEW HOPE, MINNESOTA
REGISTERED BY PLAN NUMBER 5532



DESIGNED BY: KJT DRAWN BY: RKM
 APPROVED: TJM JOB NUMBER 806550J
 CAD DATE: April 18, 2002 4:59:23 p.m.
 CAD FILE: 806550J\X07.DWG

I HEREBY CERTIFY THAT THIS PLAN, SPECIFICATION, OR REPORT WAS PREPARED BY ME OR UNDER MY DIRECT SUPERVISION AND THAT I AM A DULY LICENSED PROFESSIONAL ENGINEER UNDER THE LAWS OF THE STATE OF MINNESOTA.
 DATE _____
 TERRY J. MAURER LIC. 15316

NO.	DATE	BY	REVISION DESCRIPTION
1	7/9/02	EY	SECTION REVISIONS

 Howard R. Green Company
CONSULTING ENGINEERS
1326 ENERGY PARK DRIVE
ST. PAUL, MINNESOTA 55108
(651) 644-4389

175TH AVENUE
CITY OF ELK RIVER
175TH AVENUE

S.P. 204-111-04
CROSS SECTIONS
26+50 TO 32+00

SHEET NO.
25