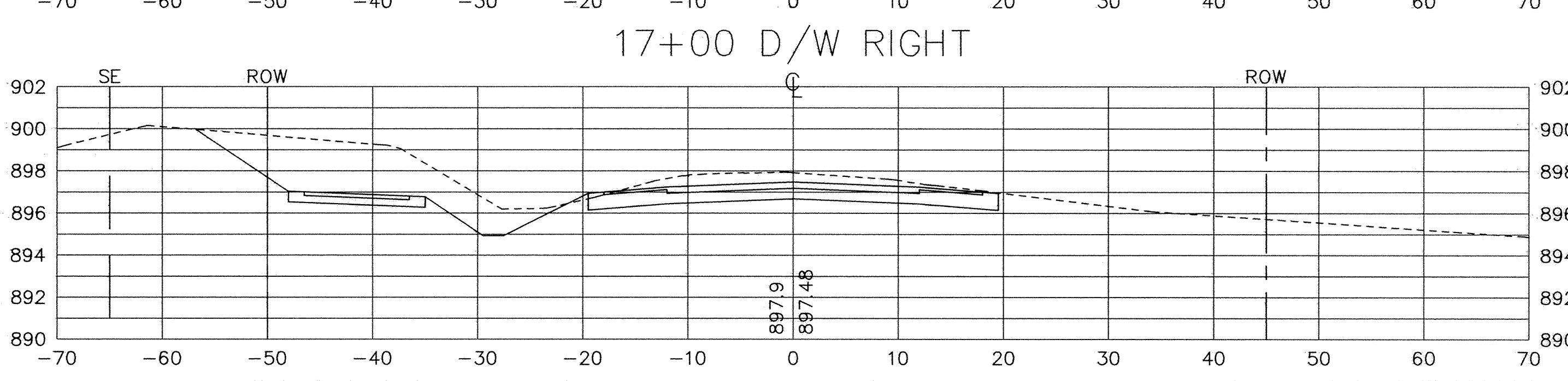
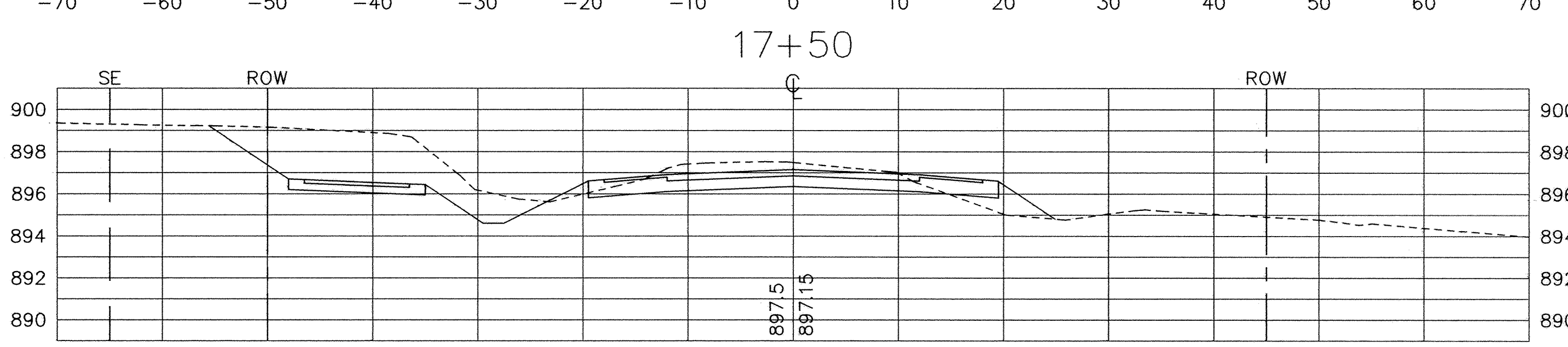
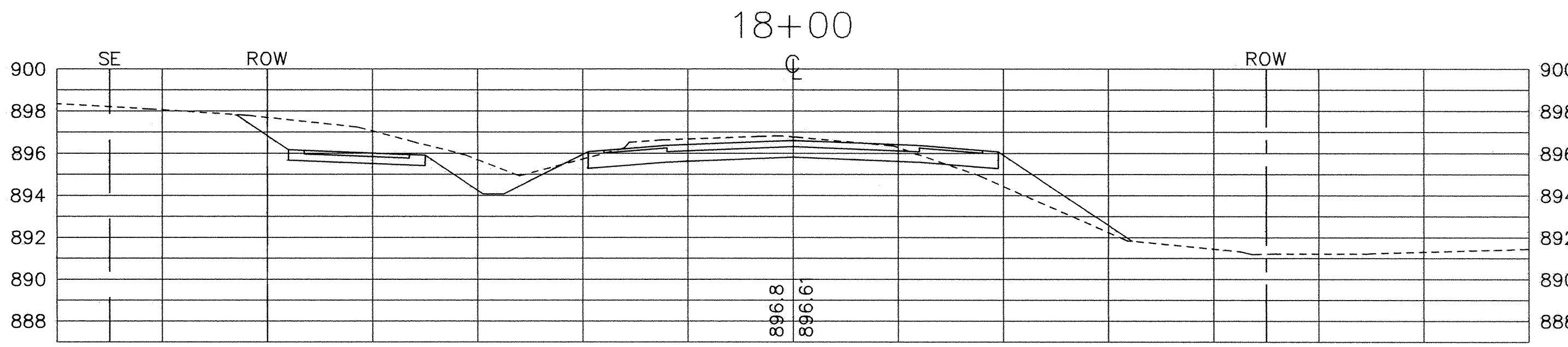
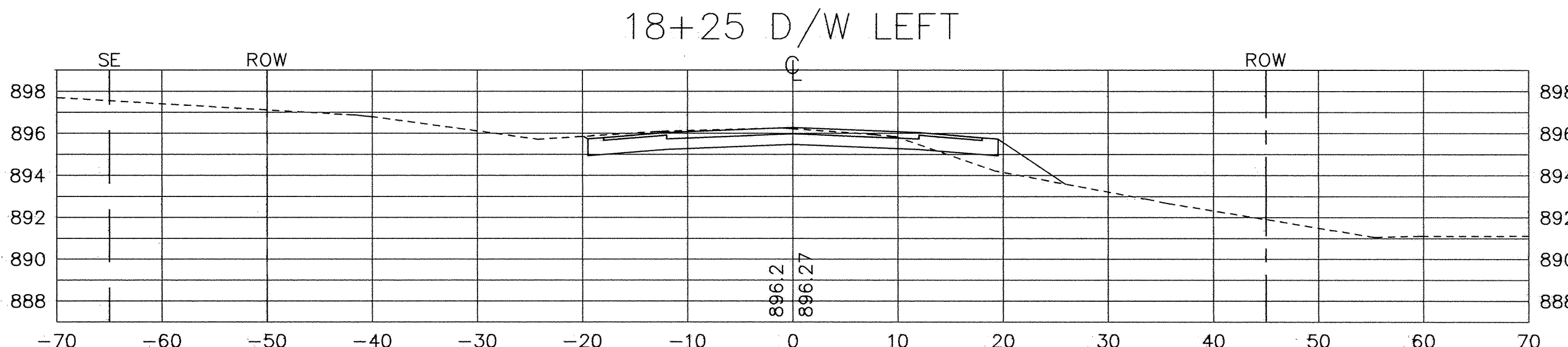
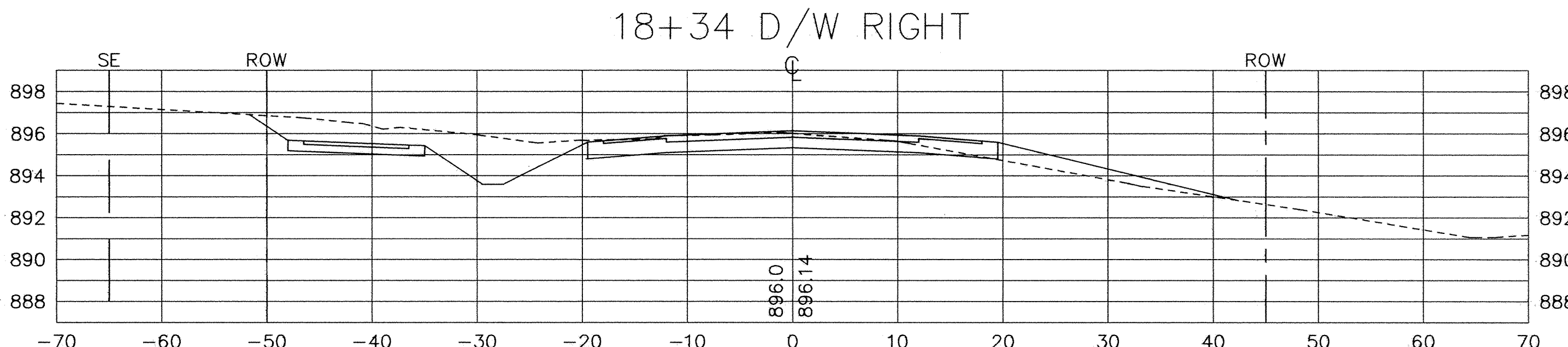
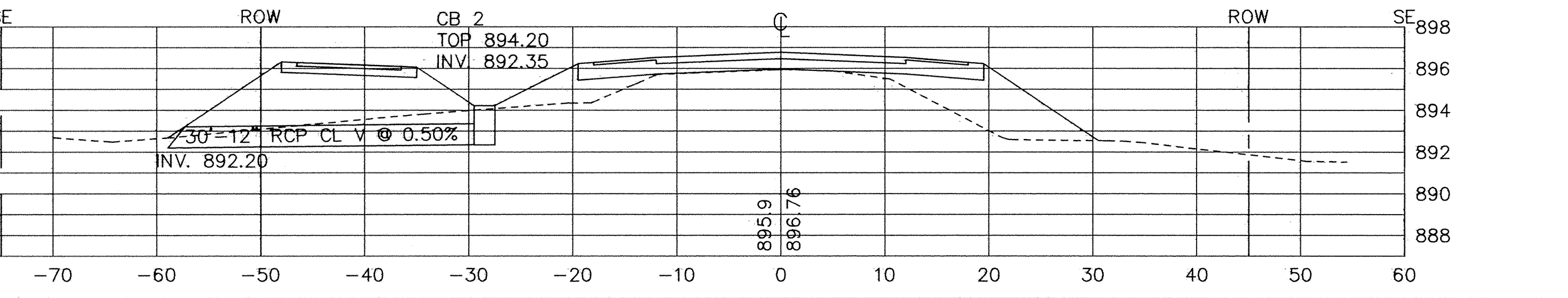
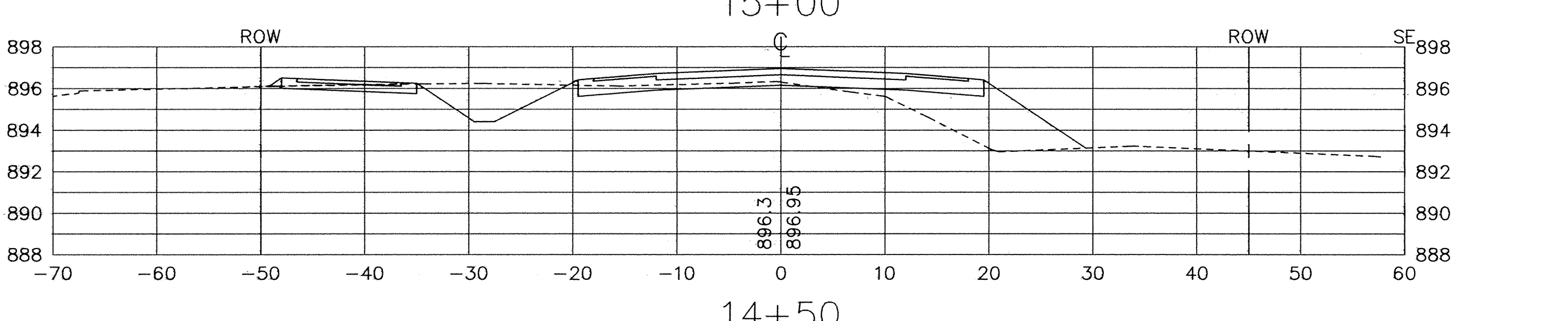
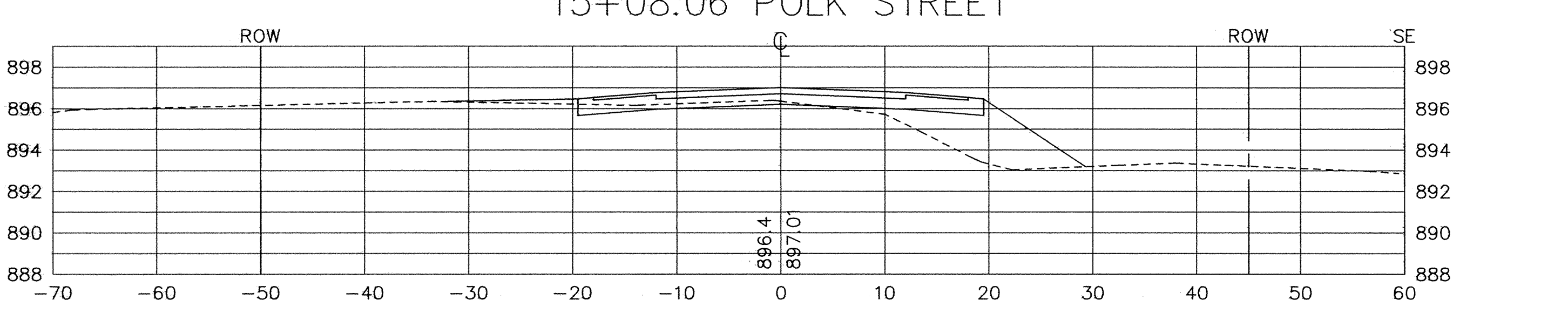
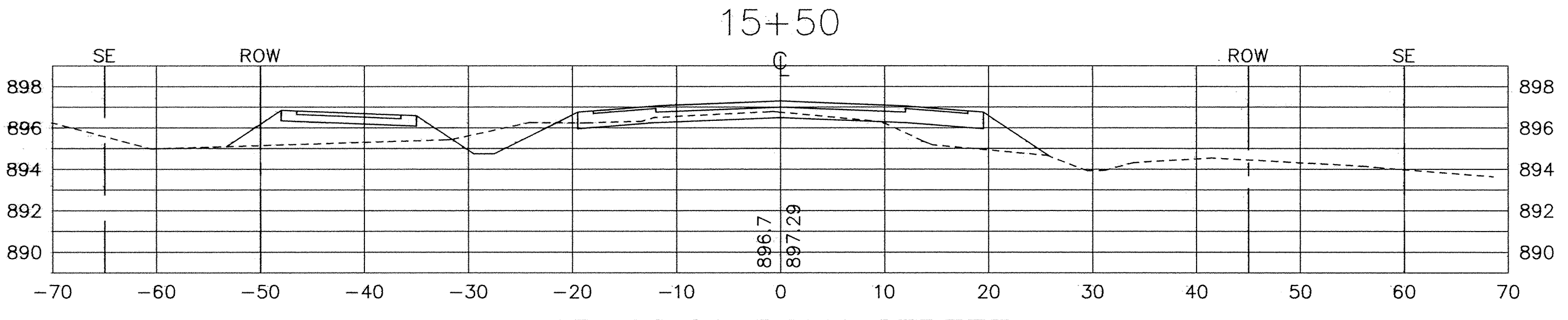
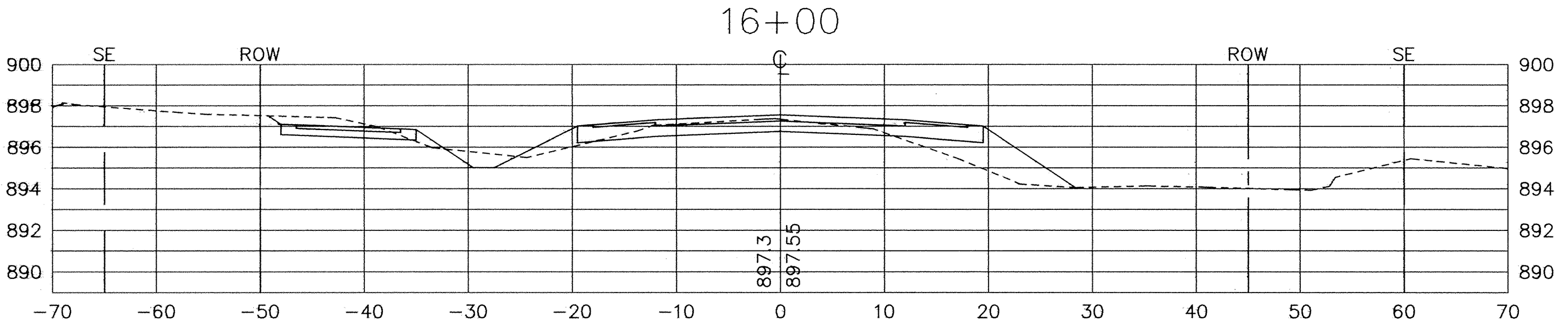
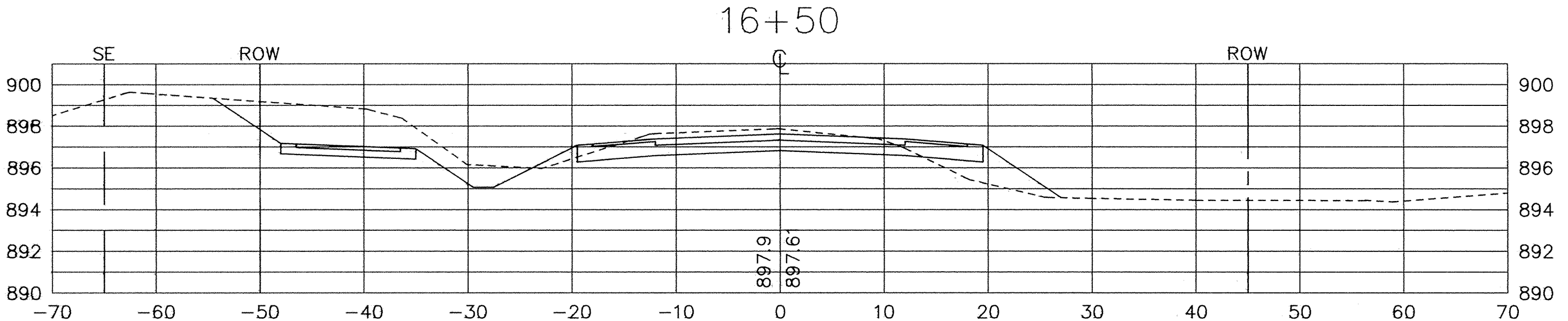
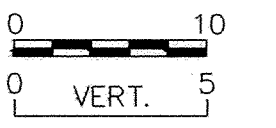


SACO PRODUCTS • NEW HOPE, MINNESOTA
REGISTERED BY PART NUMBER 0532
PROFESSIONAL ENGINEER UNDER THE LAWS OF THE STATE OF MINNESOTA



DESIGNED BY: KJT DRAWN BY: RKM
APPROVED: TJM JOB NUMBER 806550J
CAD DATE: April 18, 2002 4:54:50 p.m.
CAD FILE: 806550J\X04.DWG

I HEREBY CERTIFY THAT THIS PLAN, SPECIFICATION,
OR REPORT WAS PREPARED BY ME OR UNDER MY DIRECT
SUPERVISION AND THAT I AM A DULY LICENSED
PROFESSIONAL ENGINEER UNDER THE LAWS OF THE
STATE OF MINNESOTA.
DATE _____
TERRY J. MAURER LIC. 15316

NO.	DATE	BY	REVISION DESCRIPTION

1326 ENERGY PARK DRIVE
ST. PAUL, MINNESOTA 55108
(651) 644-4389
Howard R. Green Company
CONSULTING ENGINEERS

175TH AVENUE
CITY OF ELK RIVER
175TH AVENUE

CROSS SECTIONS
S.P. 204-111-04
14+50 TO 18+34

SHEET NO.
22