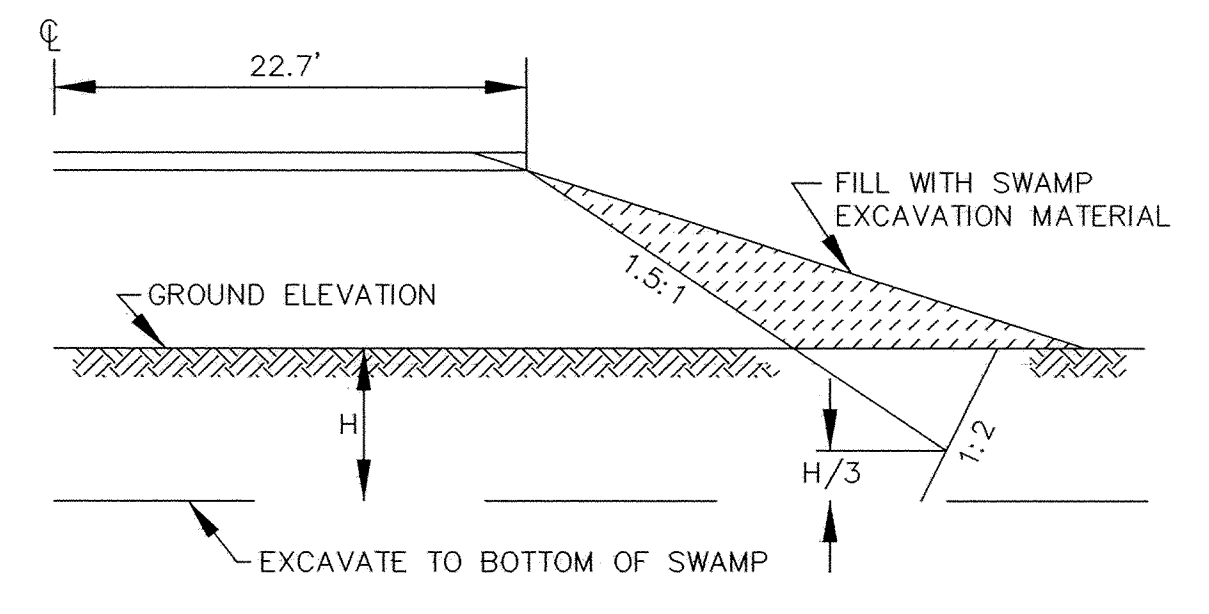
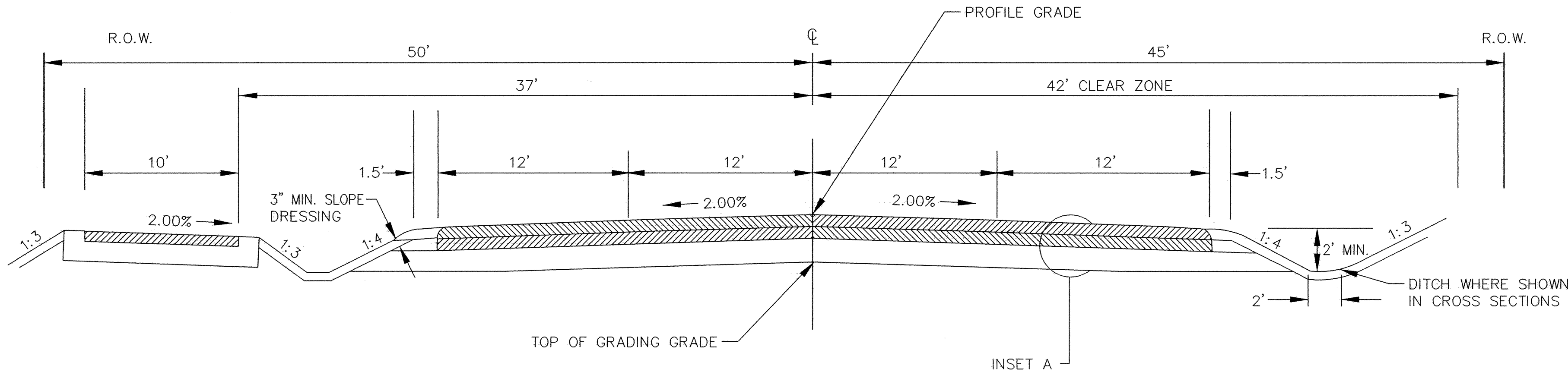
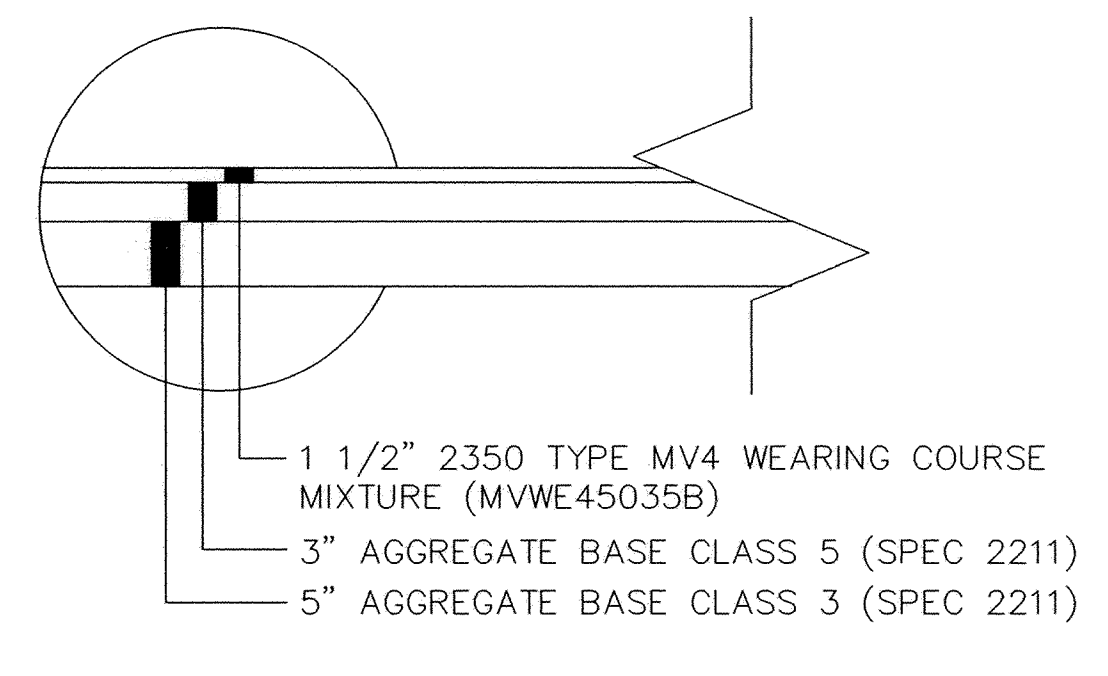
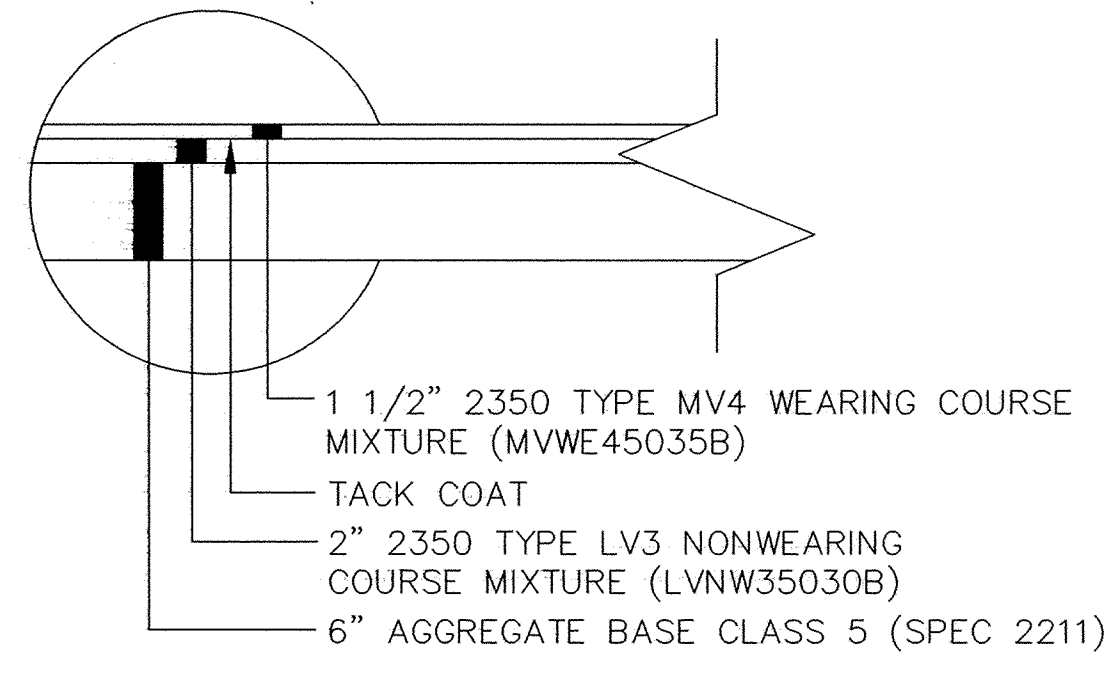
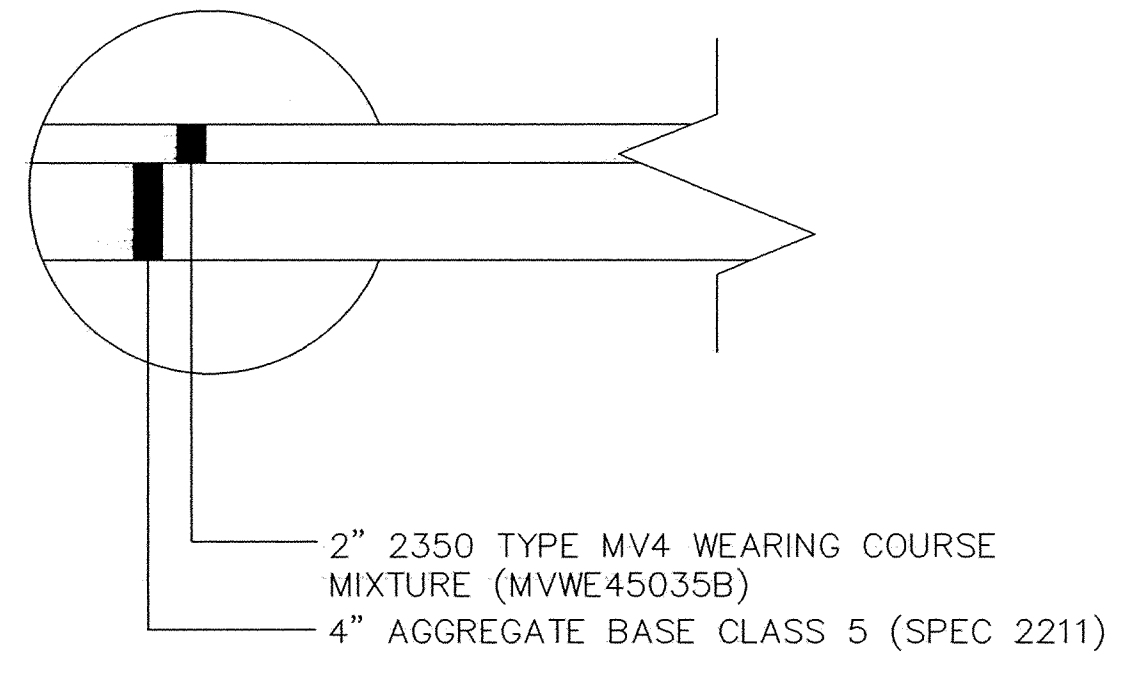
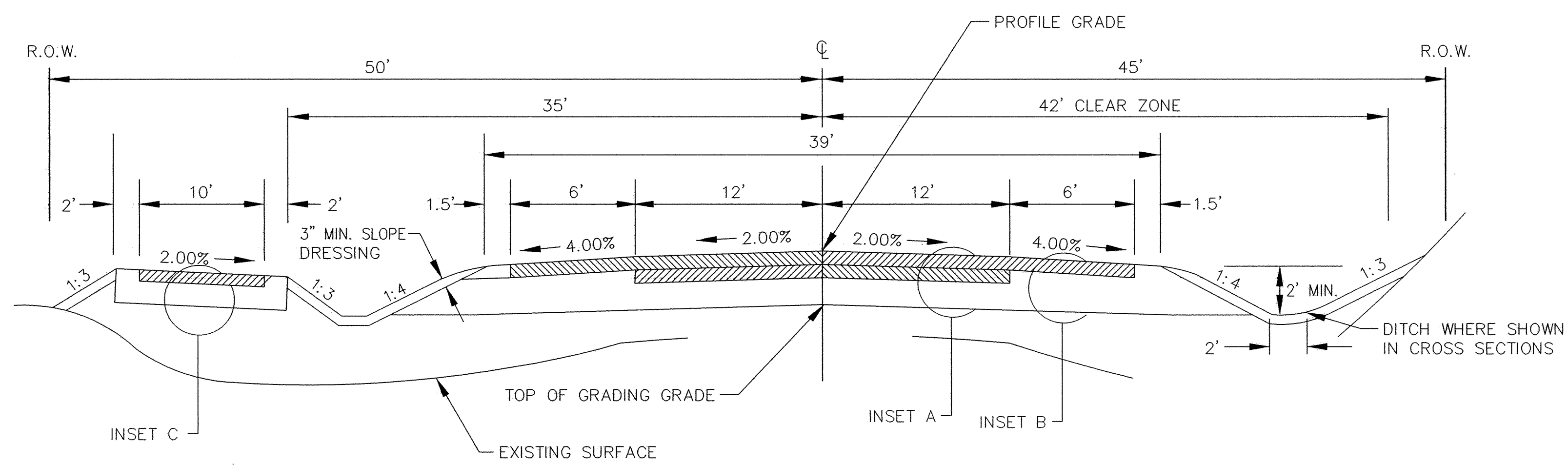


NOTE:
DRIVEWAYS AND CROSSROADS SHALL HAVE
A MINIMUM OF 1:6 INSLOPE



RECORD PLAN
JANUARY 2005

DESIGNED BY: KJT DRAWN BY: RKM
 APPROVED: TJM JOB NUMBER 806550J
 CAD DATE: January 28, 2005 10:22:36 a.m.
 CAD FILE: 806550J\AS-BUILT\806550-TYP.DWG (JCUNNINGHAM)

I HEREBY CERTIFY THAT THIS PLAN, SPECIFICATION,
 OR REPORT WAS PREPARED BY ME OR UNDER MY DIRECT
 SUPERVISION AND THAT I AM A DULY LICENSED
 PROFESSIONAL ENGINEER UNDER THE LAWS OF THE
 STATE OF MINNESOTA.
 DATE _____
 JOHN M. ANDERSON LIC. 25889

NO.	DATE	BY	REVISION DESCRIPTION

1326 ENERGY PARK DRIVE
 ST. PAUL, MINNESOTA 55108
 (651) 644-4389
Howard R. Green Company
 CONSULTING ENGINEERS

CITY OF ELK RIVER
175TH AVENUE

TYPICAL STREET SECTIONS
 S.P. 204-111-04

SHEET NO.
3