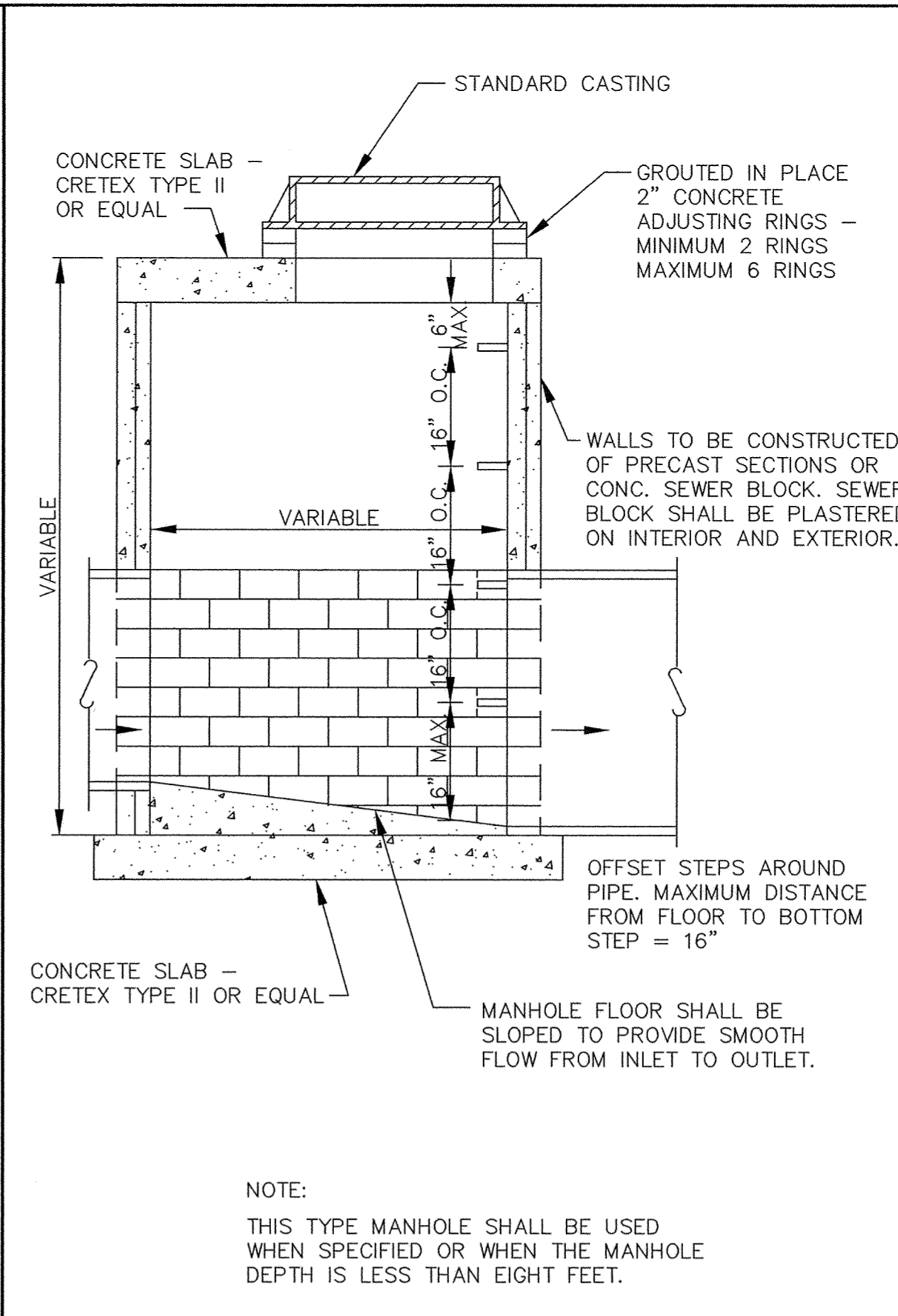
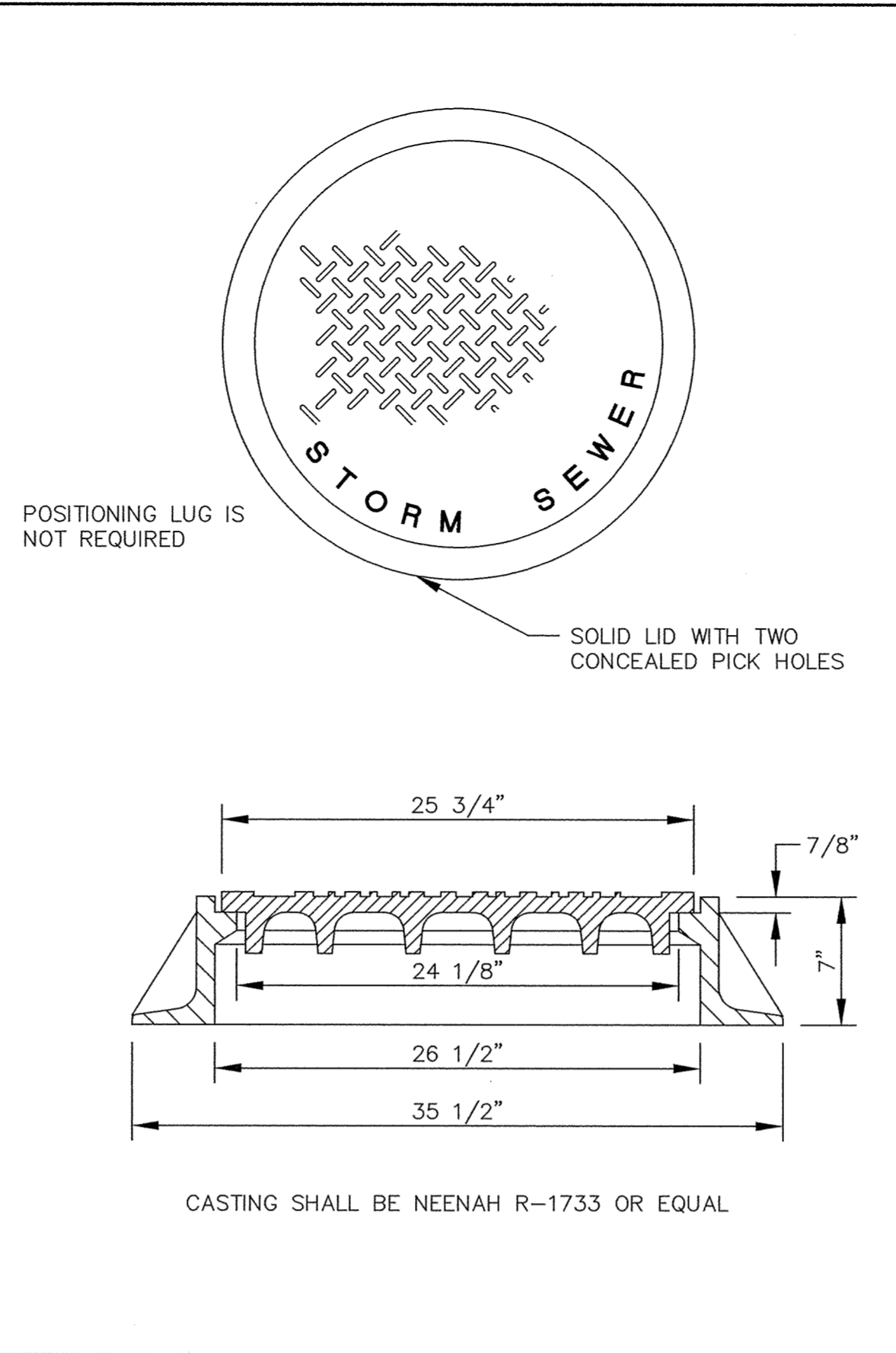


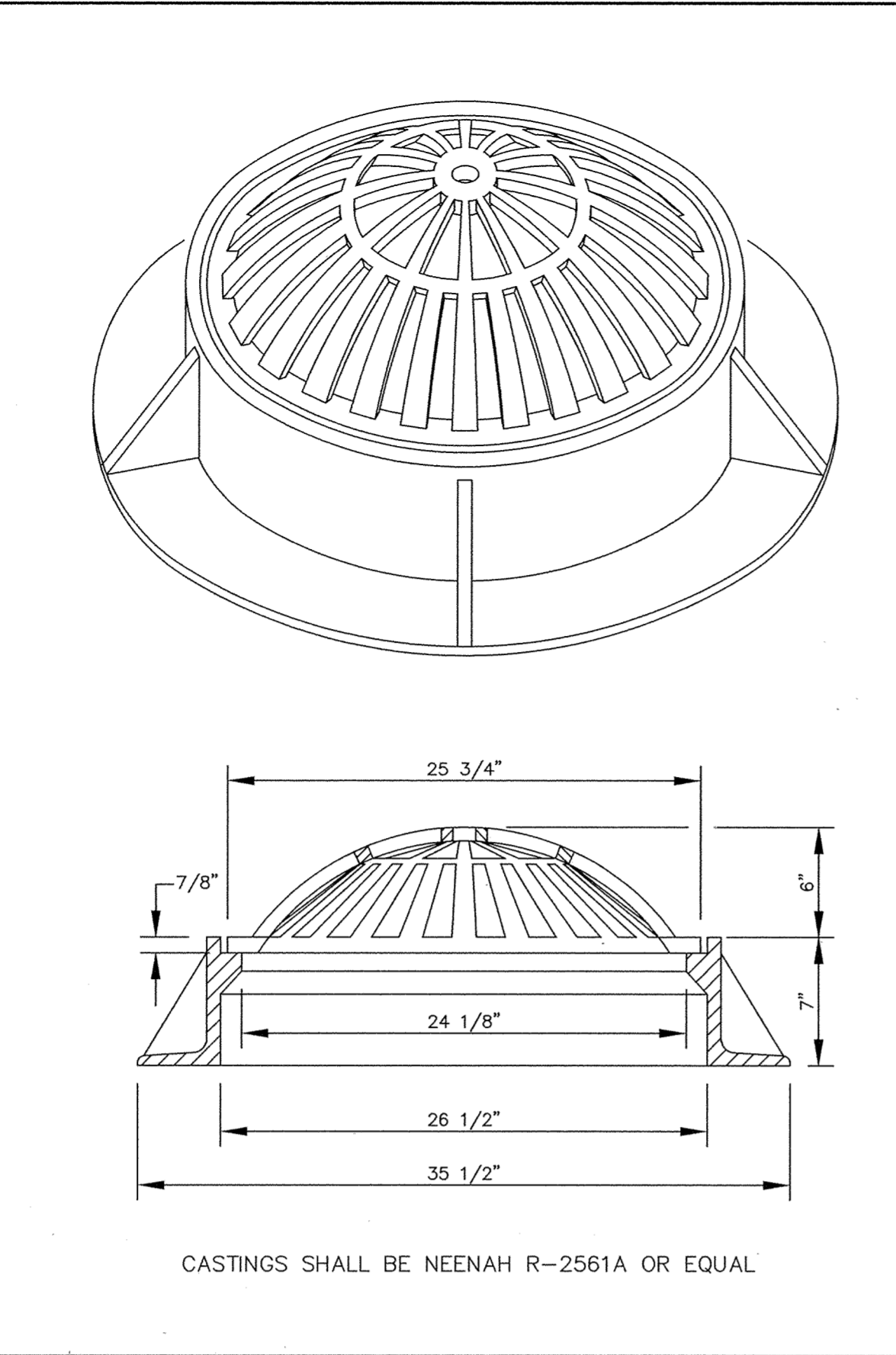
STANDARD MANHOLE



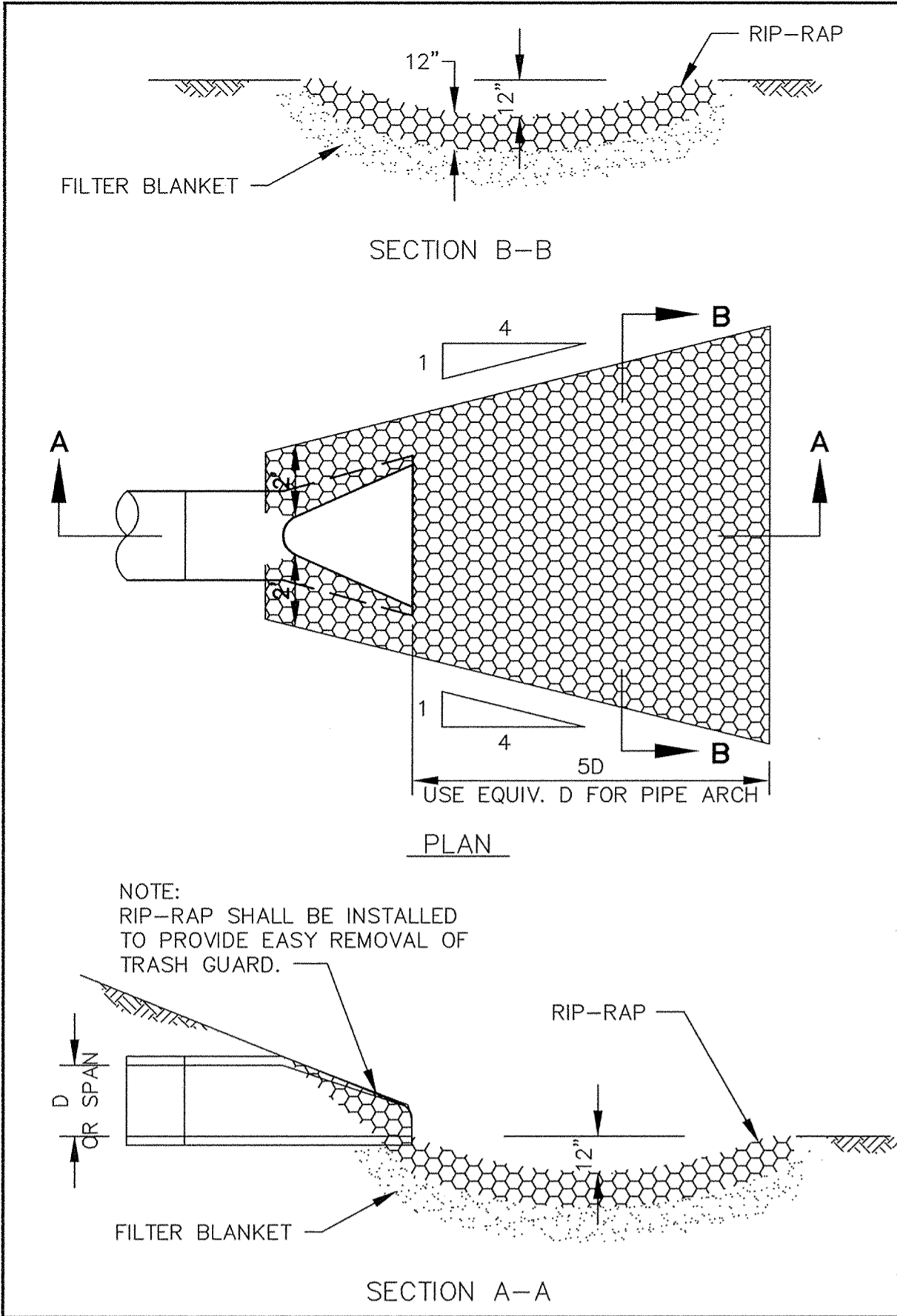
SLAB TOP MANHOLE



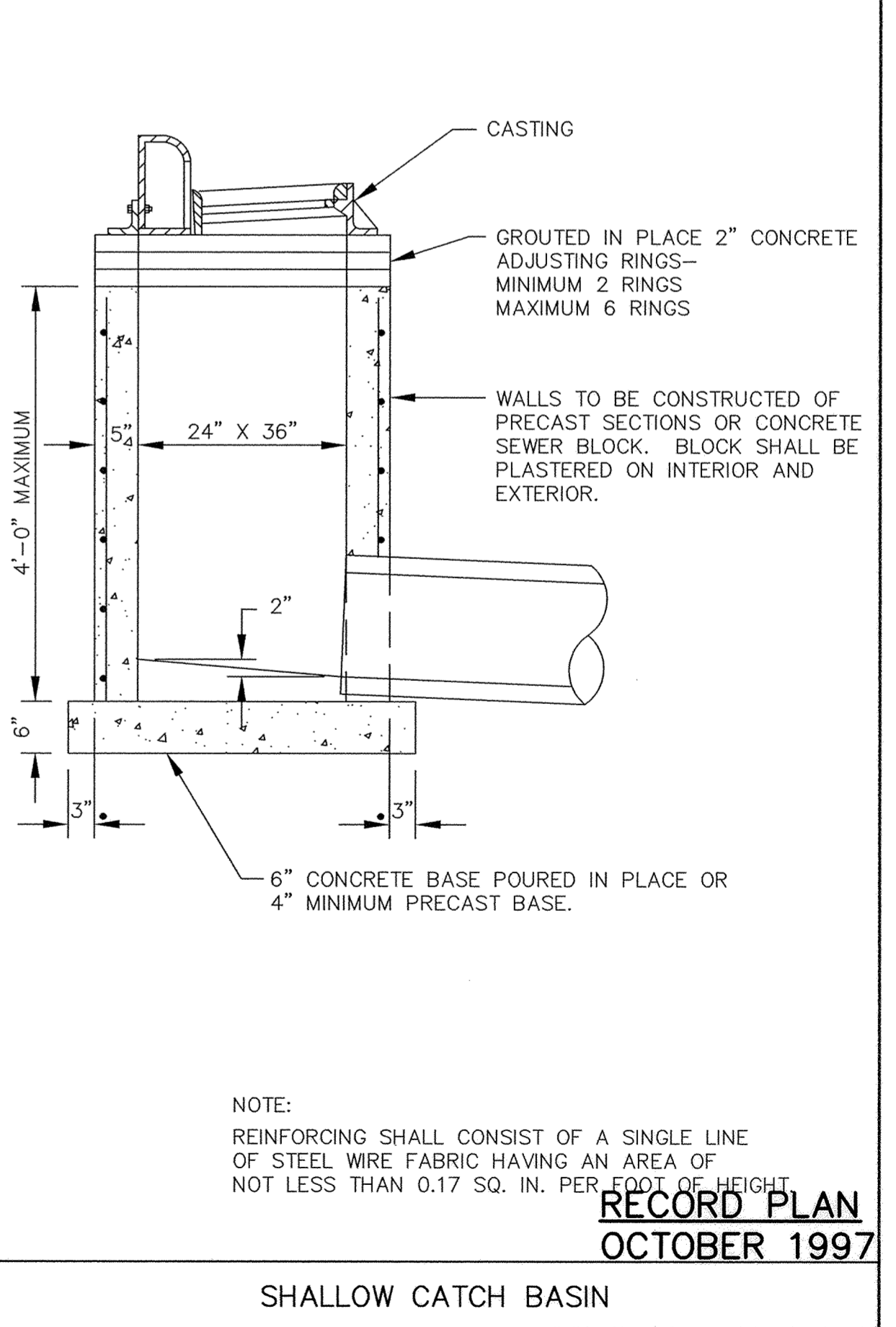
STANDARD MANHOLE CASTING



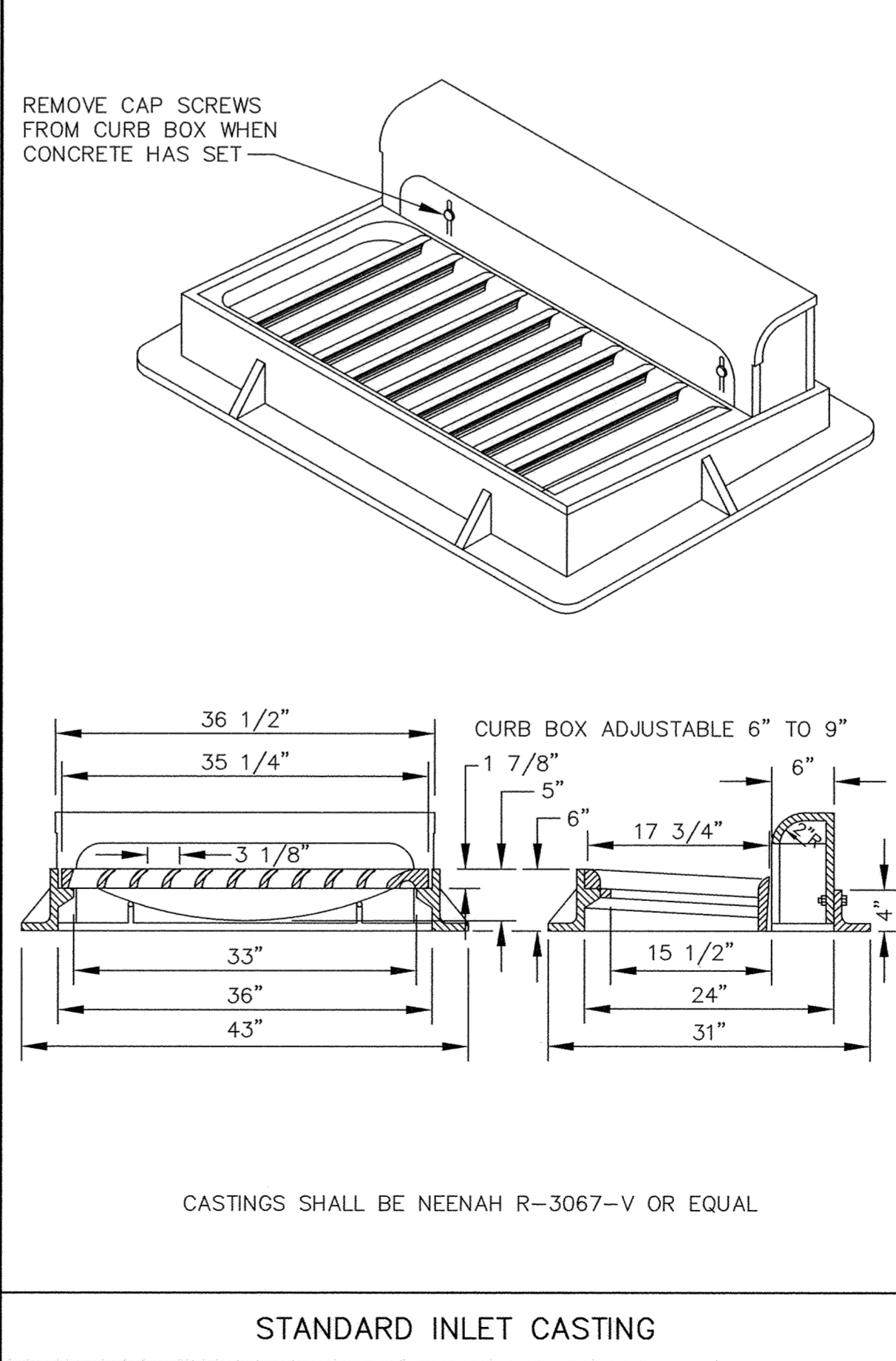
BEEHIVE CASTING



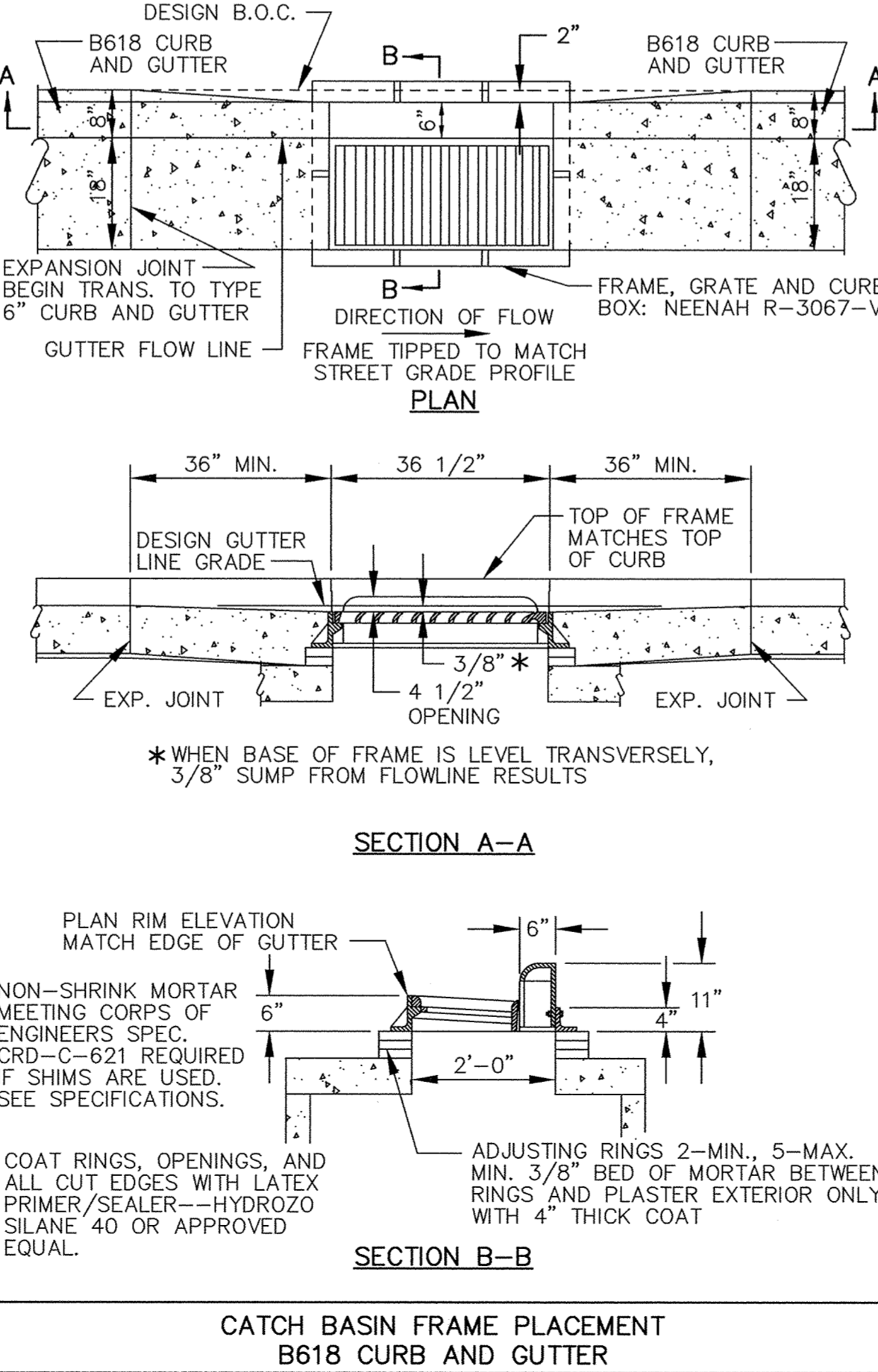
RIP-RAP INSTALLATION



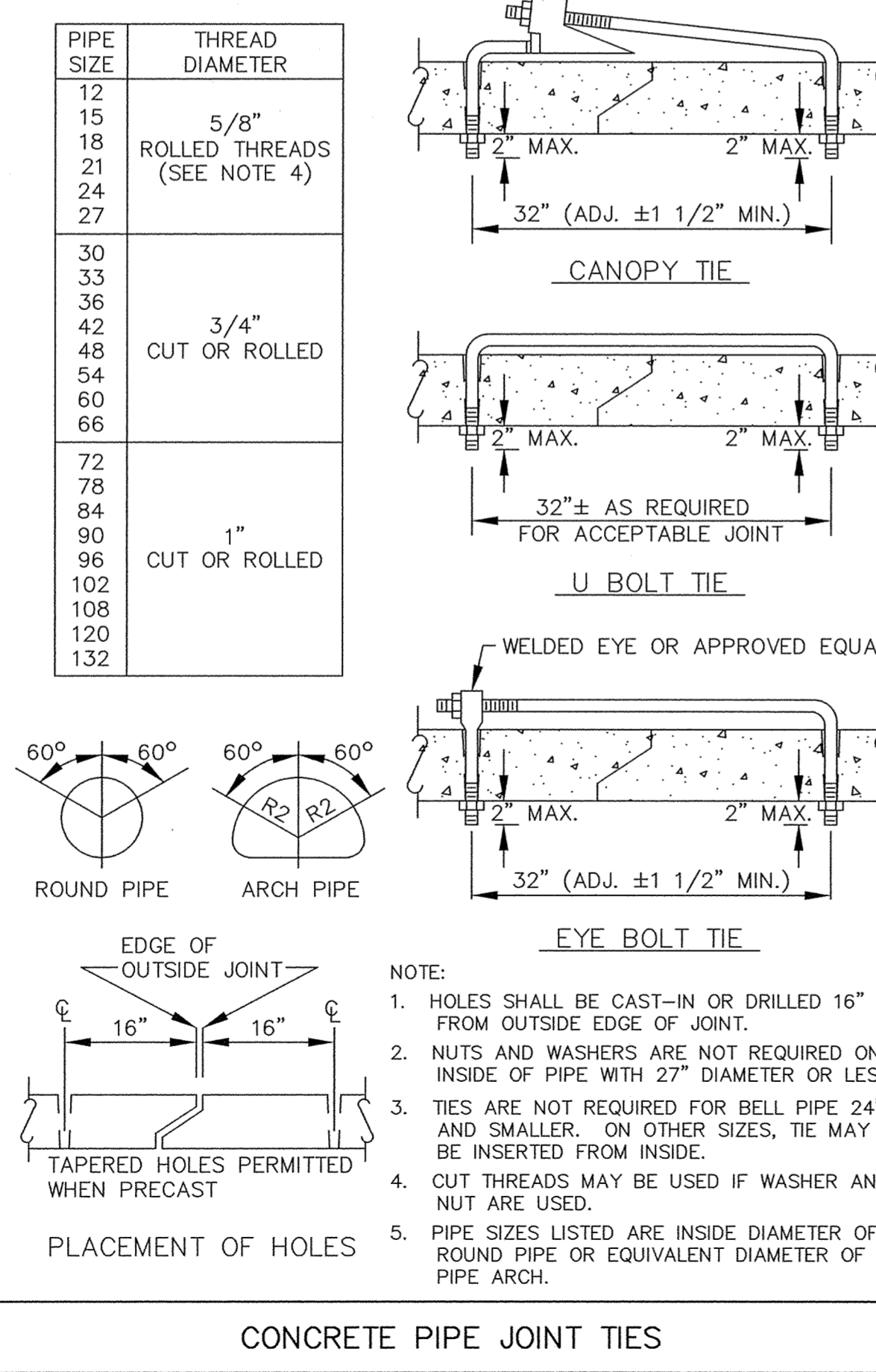
SHALLOW CATCH BASIN



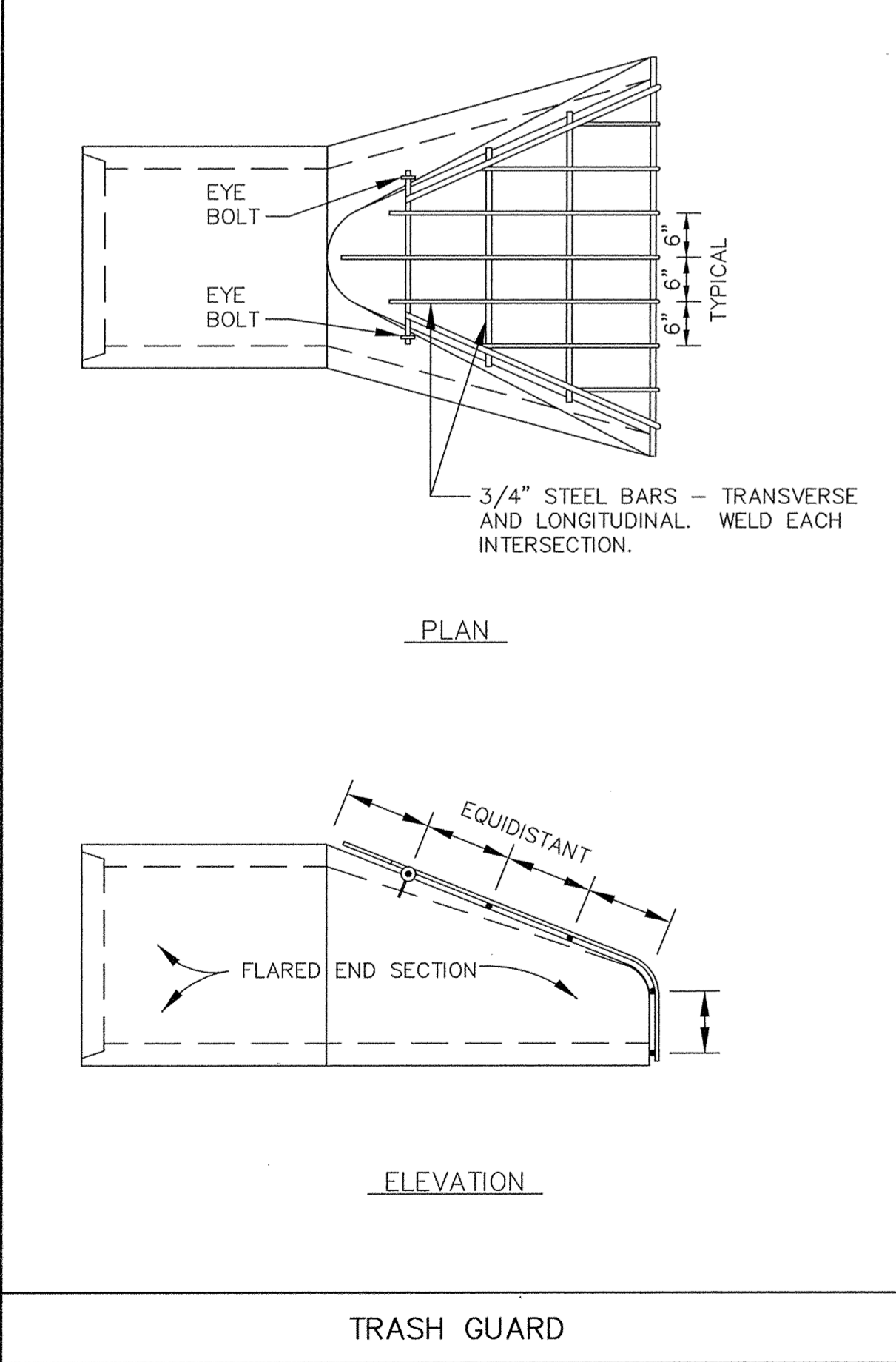
STANDARD INLET CASTING



CATCH BASIN FRAME PLACEMENT B618 CURB AND GUTTER



CONCRETE PIPE JOINT TIES



TRASH GUARD

CITY OF ELK RIVER 171ST AVENUE / T.H. 10 / ULYSSES STREET STORM SEWER DETAILS	
S.A.P. 204-132-01(171ST AVE.)	S.A.P. 204-010-04(TH 10)
DATE JULY 1996	SHEET 24 OF 25 SHEETS
PROJECT NO. 230-313-20	

I HEREBY CERTIFY THAT THIS PLAN, SPECIFICATION, OR REPORT WAS PREPARED BY ME OR UNDER MY DIRECT SUPERVISION AND THAT I AM A DULY REGISTERED PROFESSIONAL ENGINEER UNDER THE LAWS OF THE STATE OF MINNESOTA.

Joseph J. Manna
DATE 7/23/96 REG. NO. 15316

MSA
CONSULTING ENGINEERS

REVISIONS	DATE	DESCRIPTION	DESIGNED	CHECKED	DRAWN

GRAPHIC SCALE
0 HORIZ. N/A
0 VERT. N/A

NOTE:
DETAIL PLATES SHOWN HAVE NOT BEEN CONVERTED TO METRIC UNITS.

ER313-01