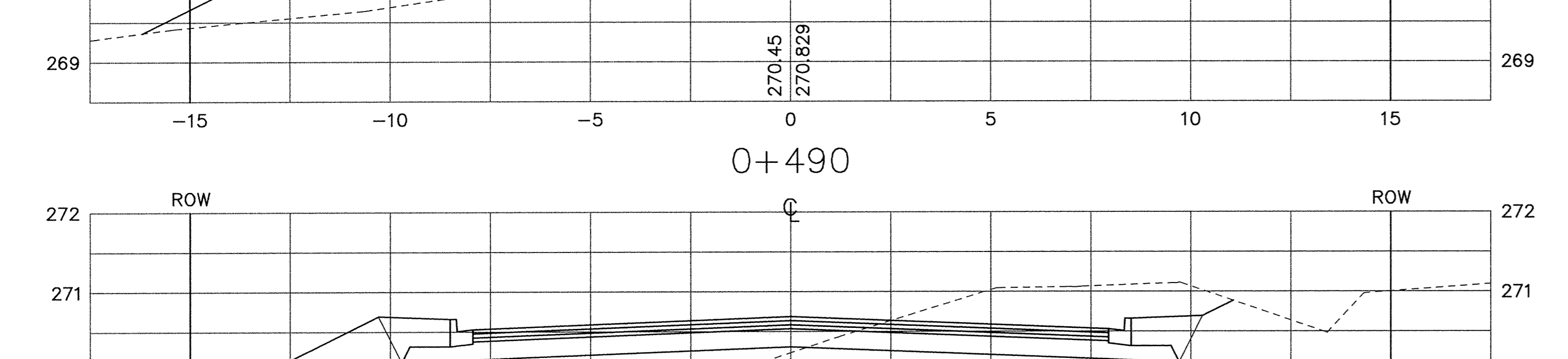
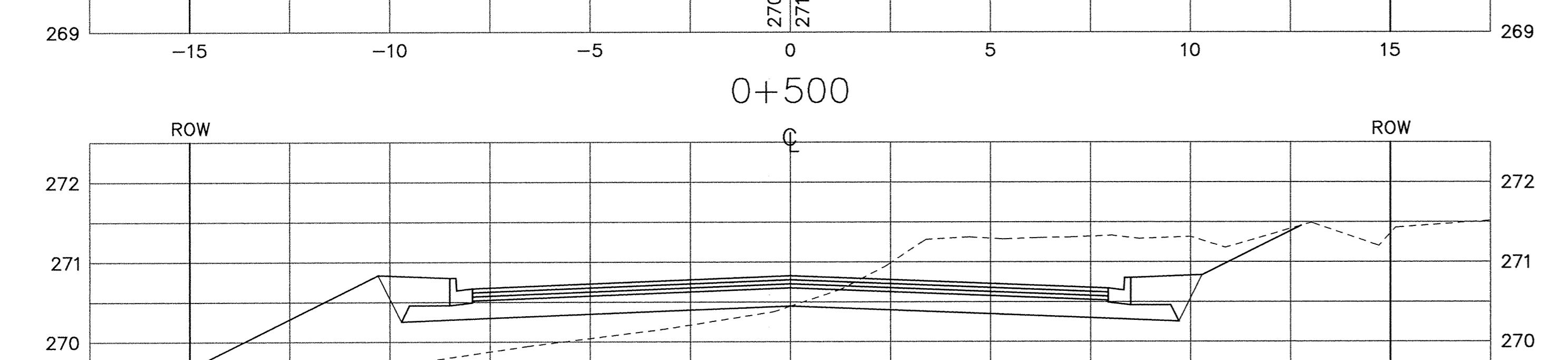
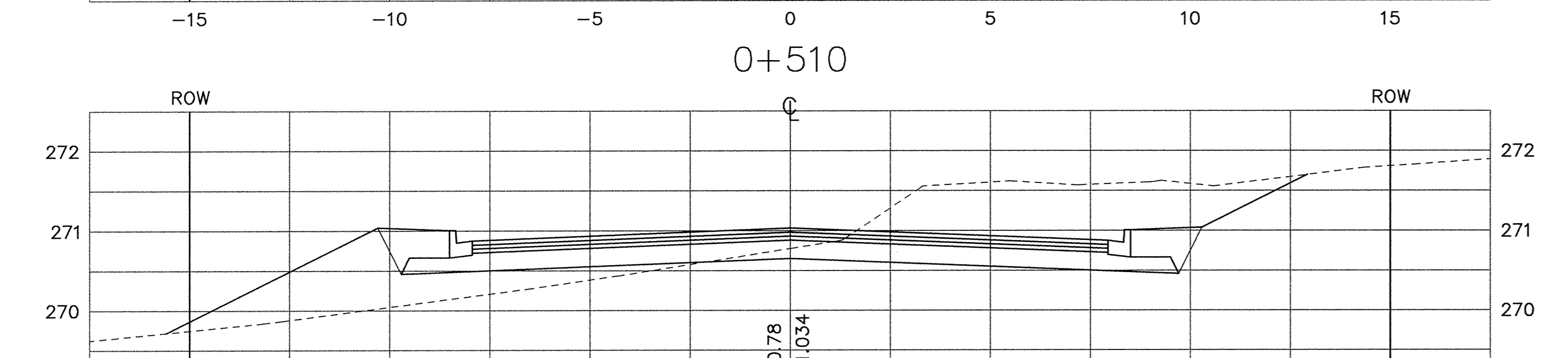
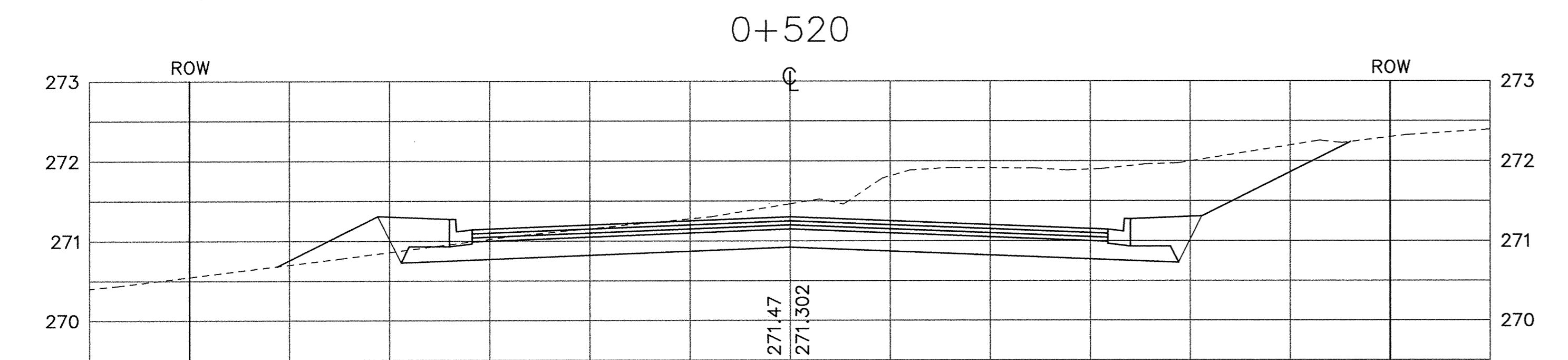
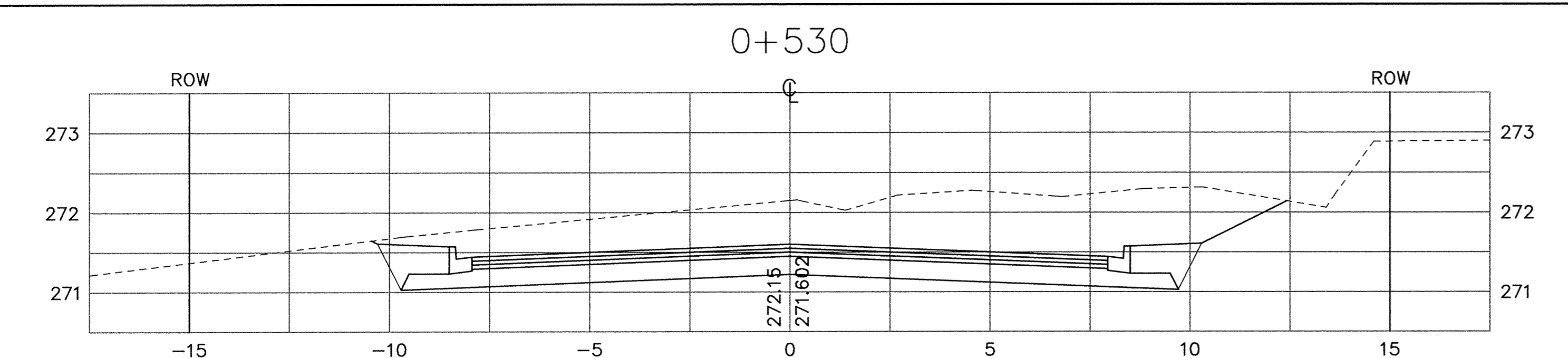
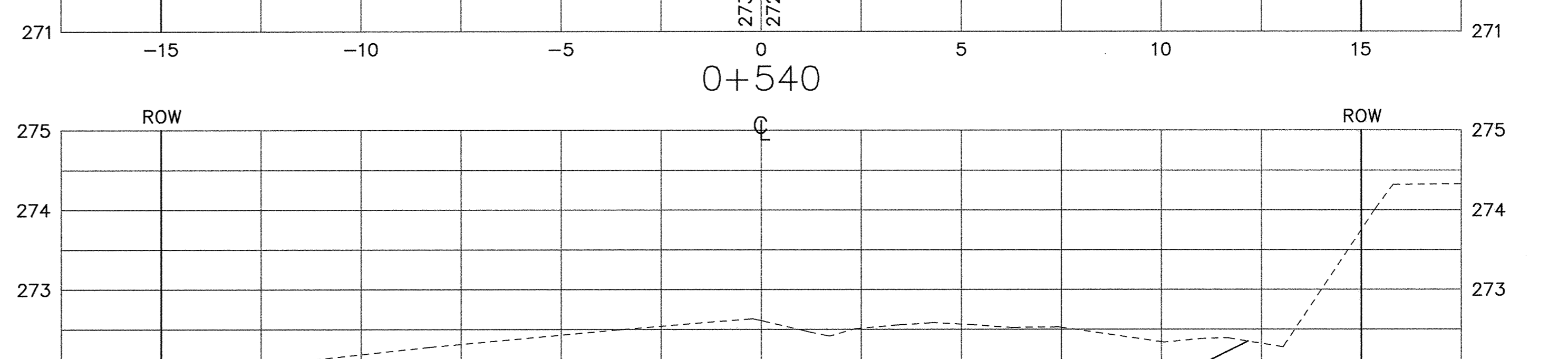
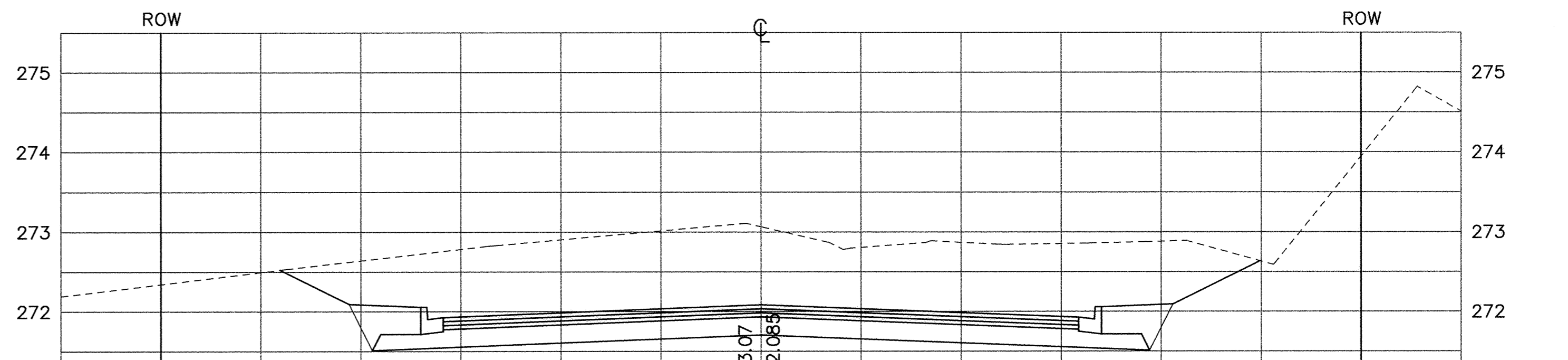
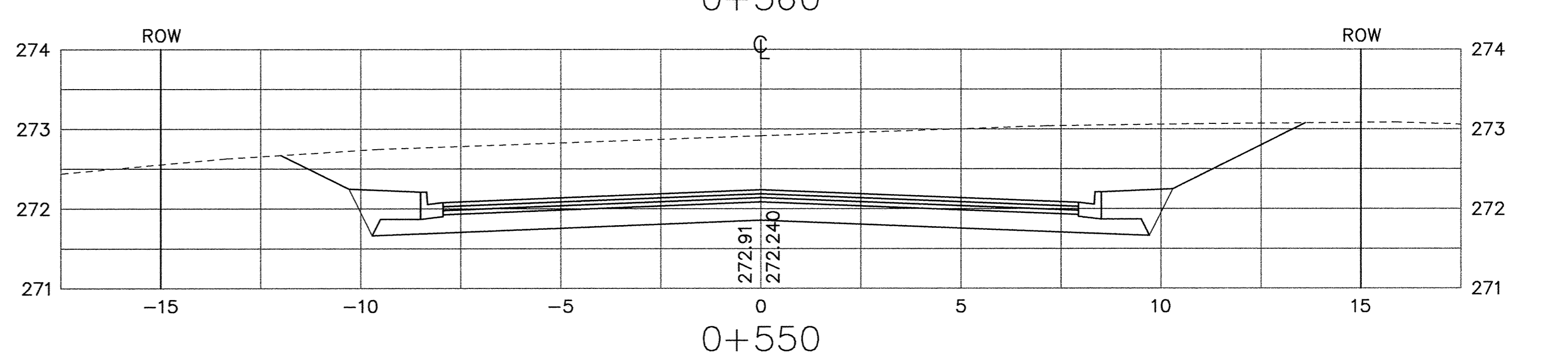
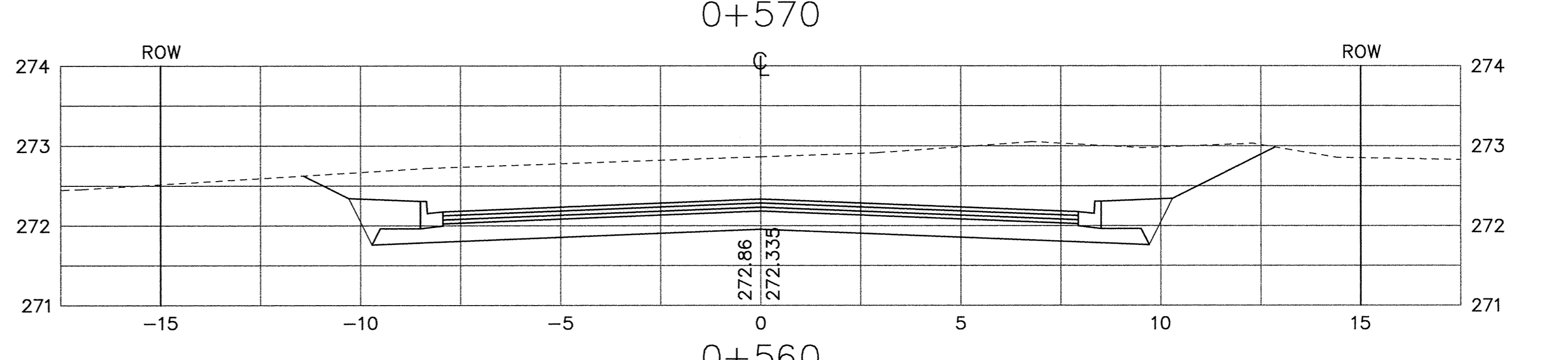
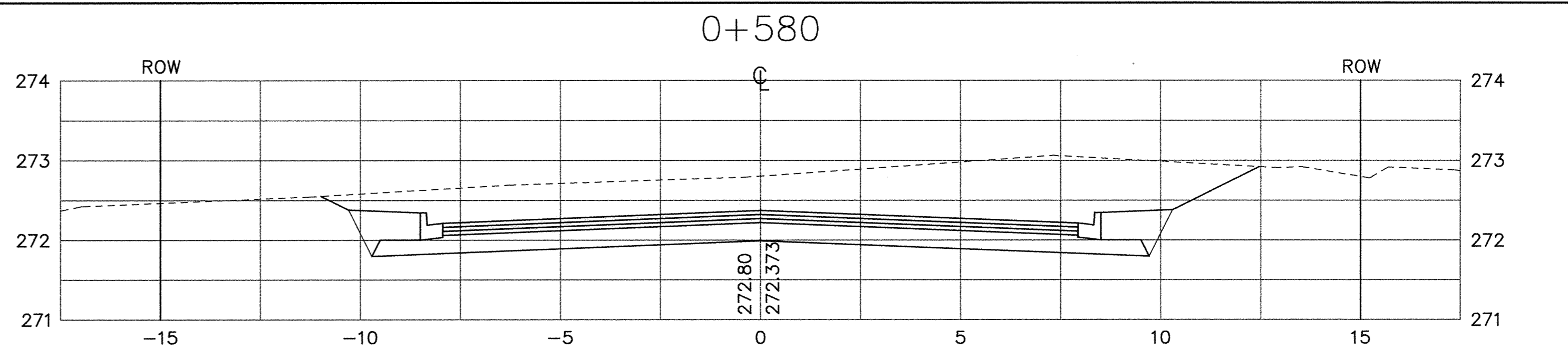


SACO PRODUCTS • NEW HOPE, MINNESOTA  
 REORDER BY PART NUMBER 6592  
 PREVIOUS EDITIONS OF THESE SHEETS ARE VOID



RECORD PLAN  
OCTOBER 1997

|  |  |   |  |   |
|--|--|---|--|---|
| I HEREBY CERTIFY THAT THIS PLAN, SPECIFICATION, OR REPORT WAS PREPARED BY ME OR UNDER MY DIRECT SUPERVISION AND THAT I AM A DULY REGISTERED PROFESSIONAL ENGINEER UNDER THE LAWS OF THE STATE OF MINNESOTA.<br><i>Ken J. Mann</i><br>DATE <u>7/23/96</u> REG. NO. <u>15316</u> |  | 1326 ENERGY PARK DRIVE<br>ST. PAUL, MINNESOTA 55108<br>(612) 644-4389 | DATE _____ DESCRIPTION _____ DESIGN _____ DRAWN _____<br>REVISIONS _____ CHECKED _____ | CITY OF ELK RIVER<br>171ST AVENUE<br>CROSS SECTIONS<br>171ST AVENUE |
|  |  | GRAPHIC SCALES<br>0 HORIZ (M) 4<br>1:250<br>0 VERT (M) 2<br>1:50      | S.A.P. 204-132-01<br>DATE JULY 1996 SHEET 17 OF 25 SHEETS PROJECT NO. 230-313-20       | STA 0+490 TO STA 0+580  |