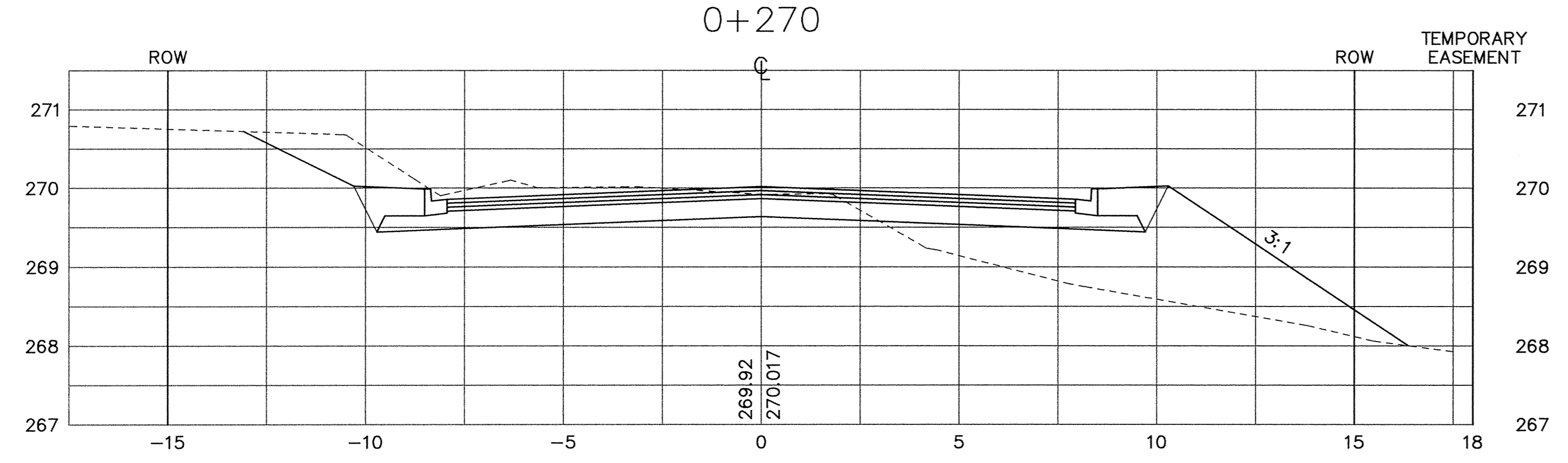
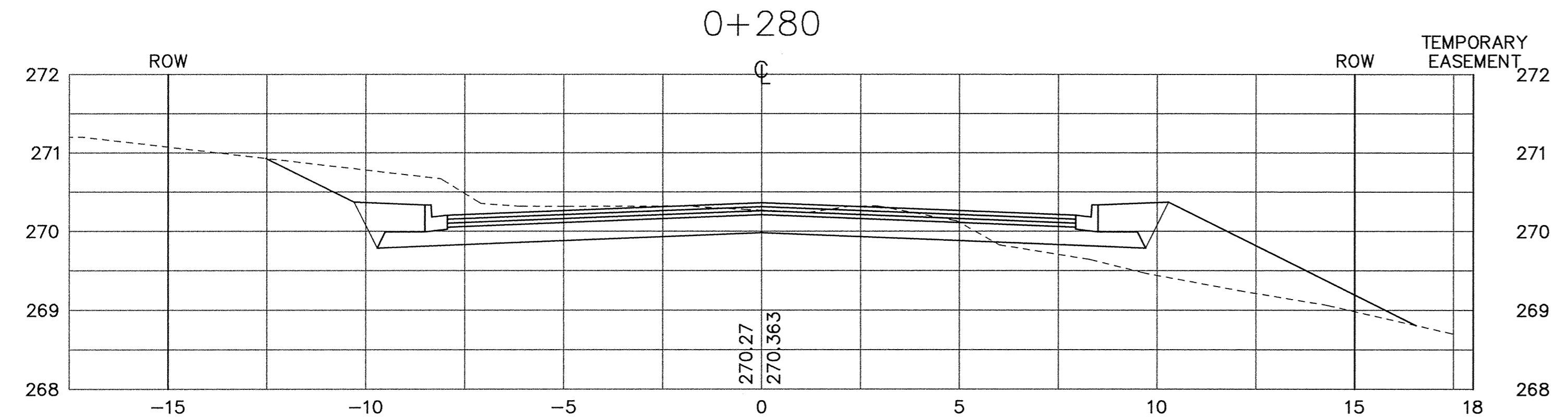
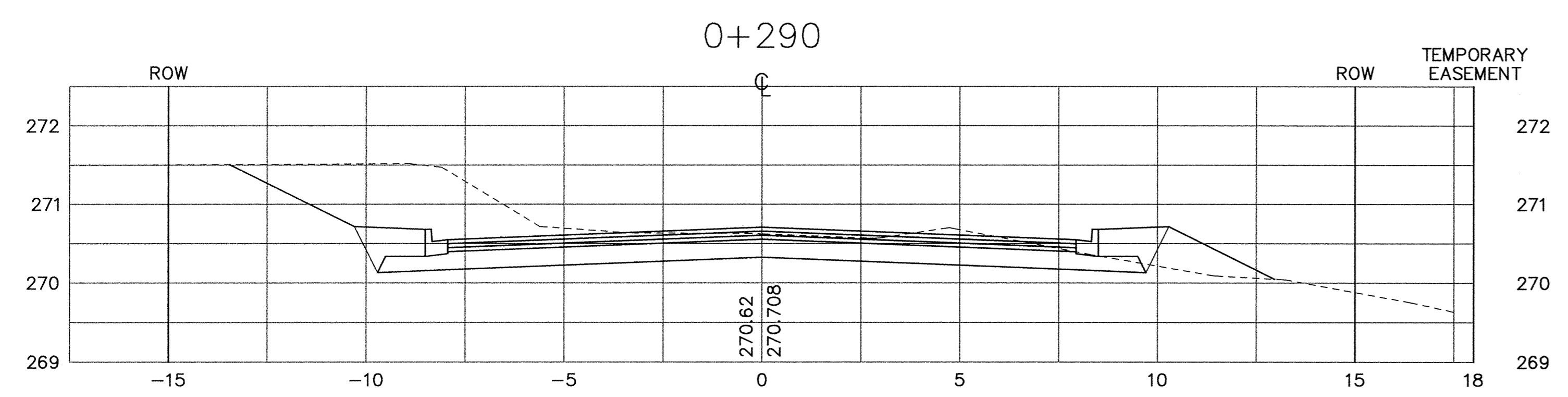
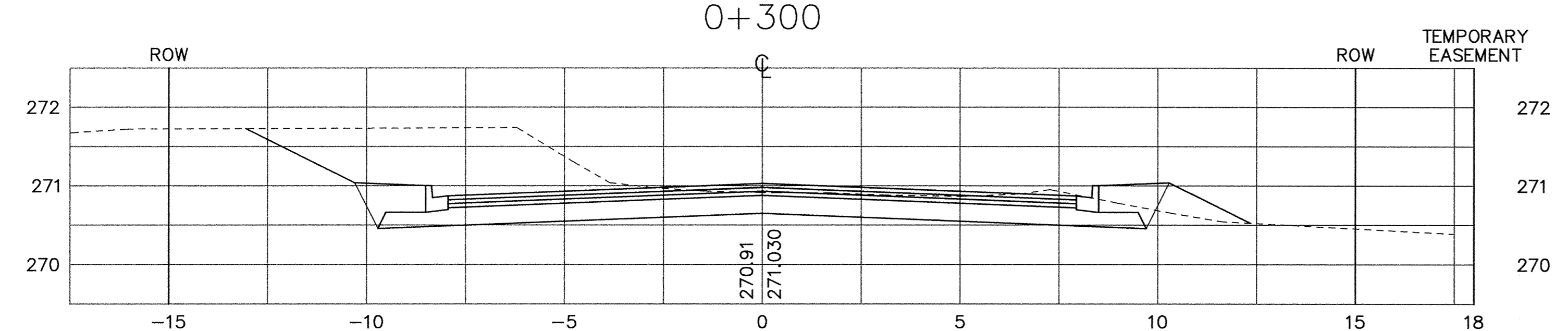
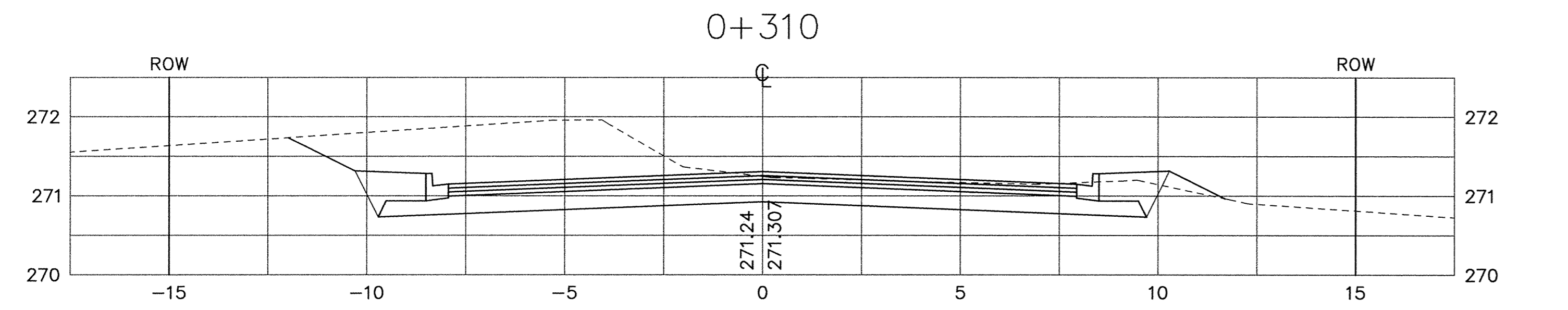
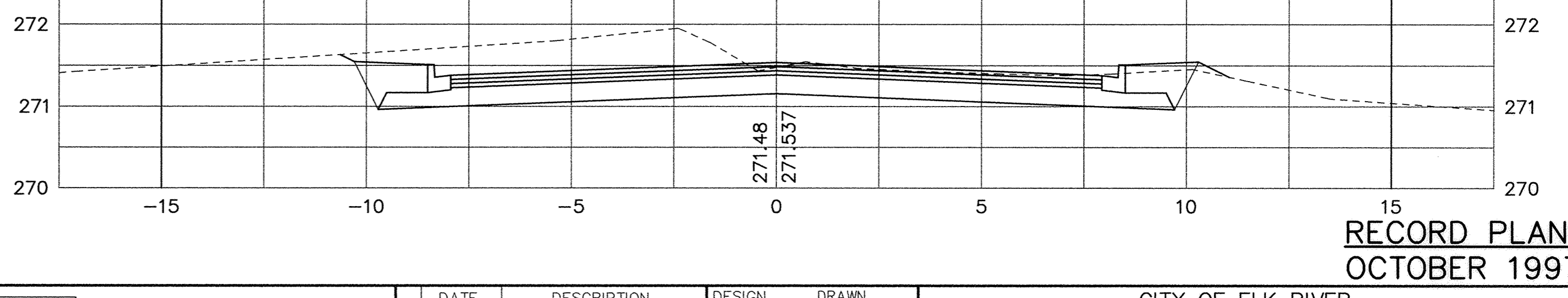
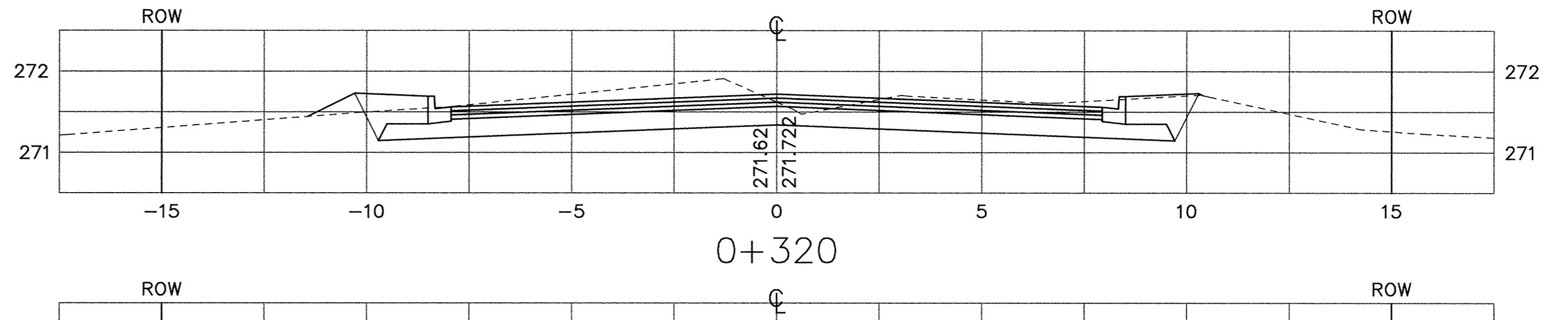
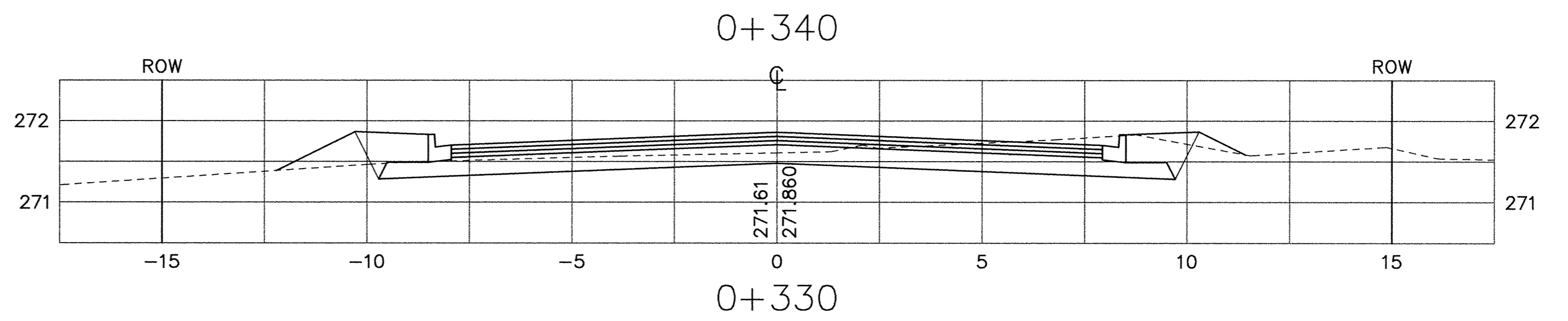
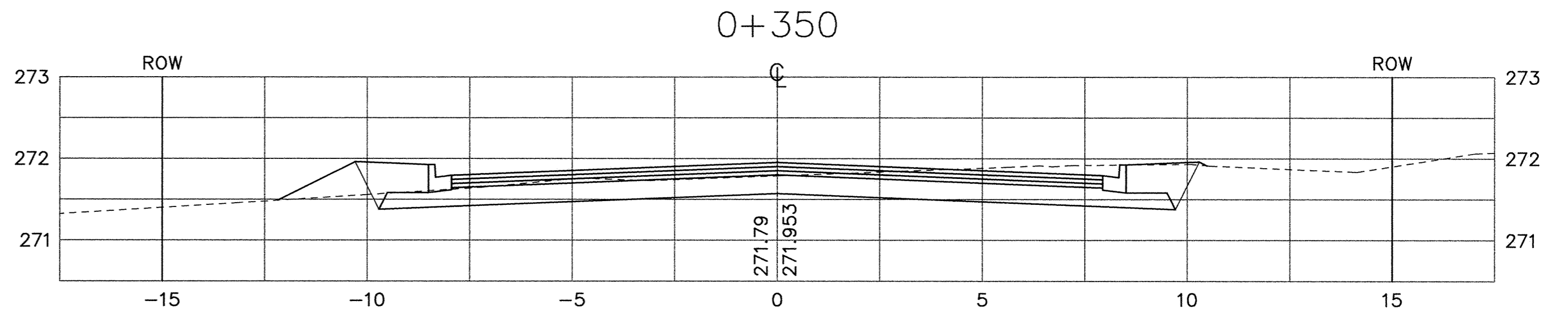
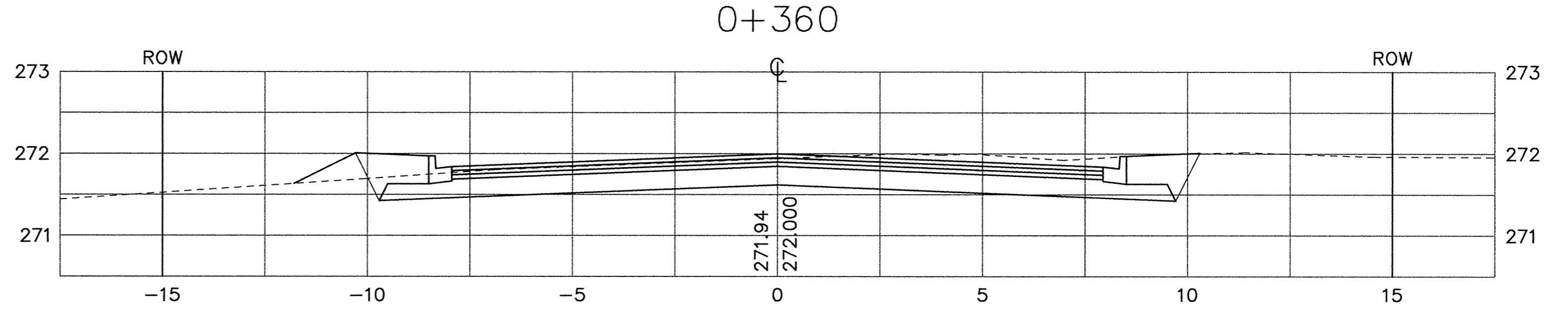
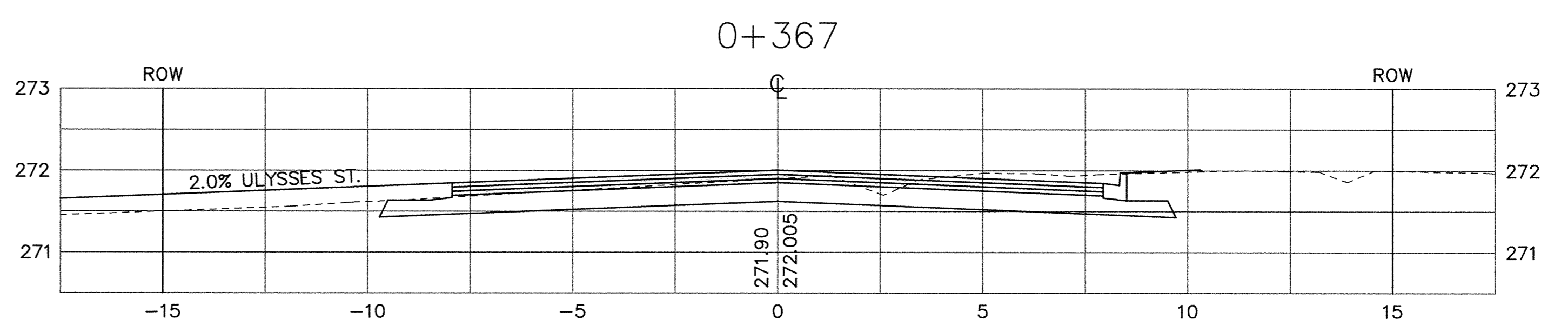


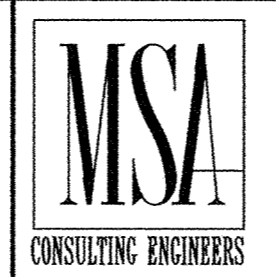
SDCO PRODUCTS • NEW HOPE, MINNESOTA  
REORDER BY PART NUMBER 8552  
MINNESOTA BOARD OF PROFESSIONAL ENGINEERS



RECORD PLAN  
OCTOBER 1997

I HEREBY CERTIFY THAT THIS PLAN, SPECIFICATION, OR REPORT WAS PREPARED BY ME OR UNDER MY DIRECT SUPERVISION AND THAT I AM A DULY REGISTERED PROFESSIONAL ENGINEER UNDER THE LAWS OF THE STATE OF MINNESOTA.

*David J. Maurer*  
DATE 7/23/97 REG. NO. 15316



1326 ENERGY PARK DRIVE  
ST. PAUL, MINNESOTA 55108  
(612) 644-4389

REVISIONS	DATE	DESCRIPTION	DESIGN	DRAWN

CITY OF ELK RIVER  
171ST AVENUE  
CROSS SECTIONS  
171ST AVENUE

S.A.P. 204-132-01 STA 0+270 TO STA 0+367

DATE JULY 1996 SHEET 15 OF 25 SHEETS PROJECT NO. 230-313-20