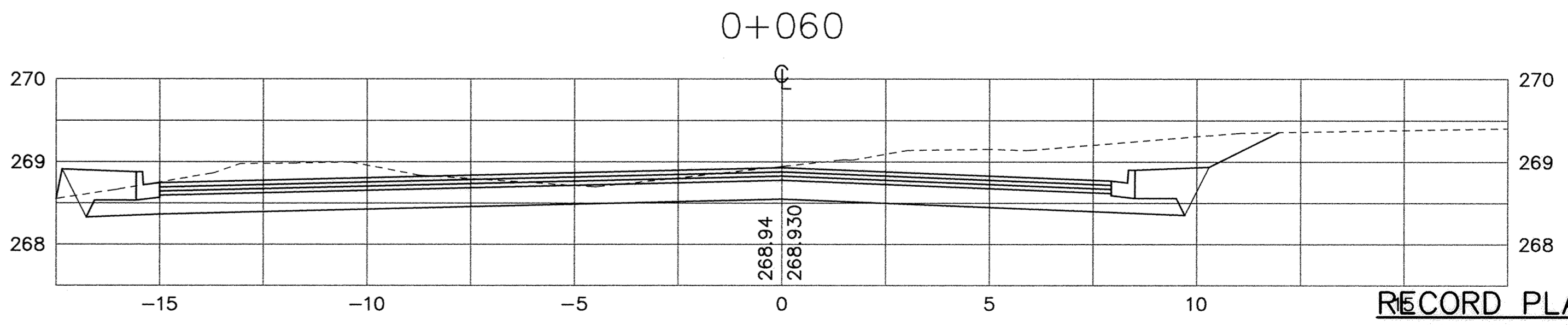
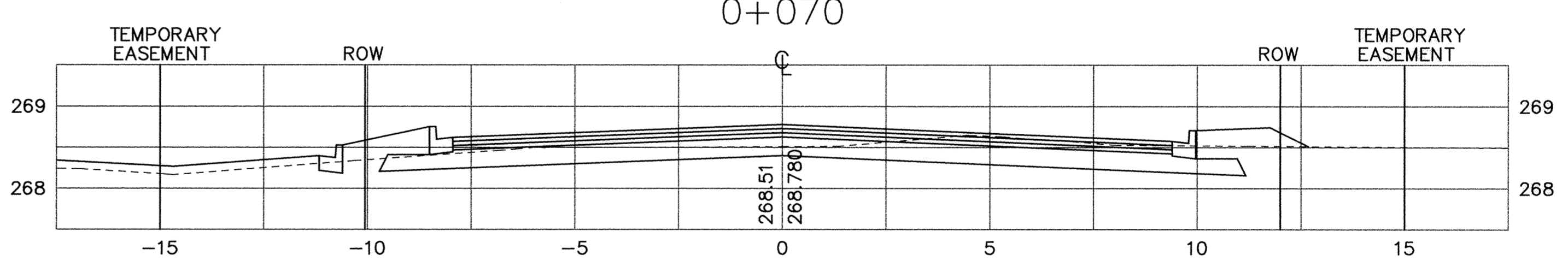
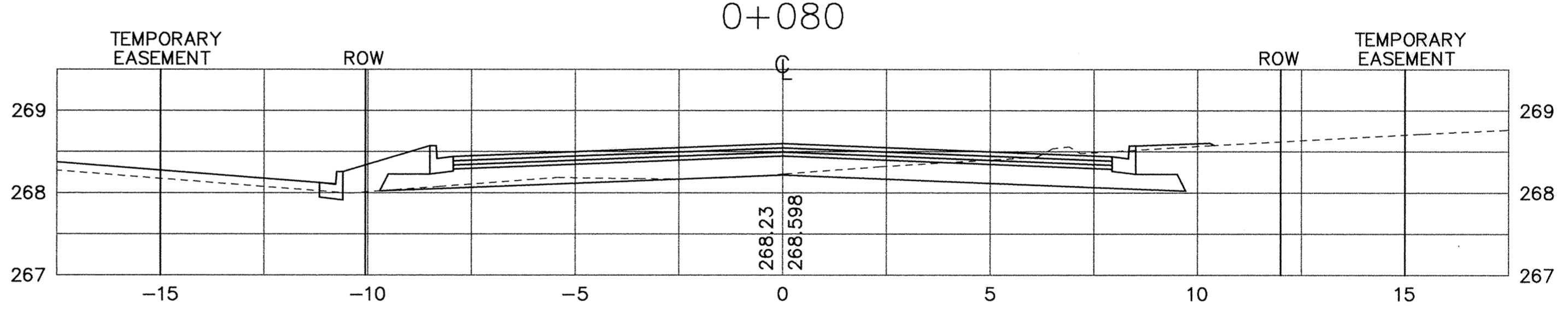
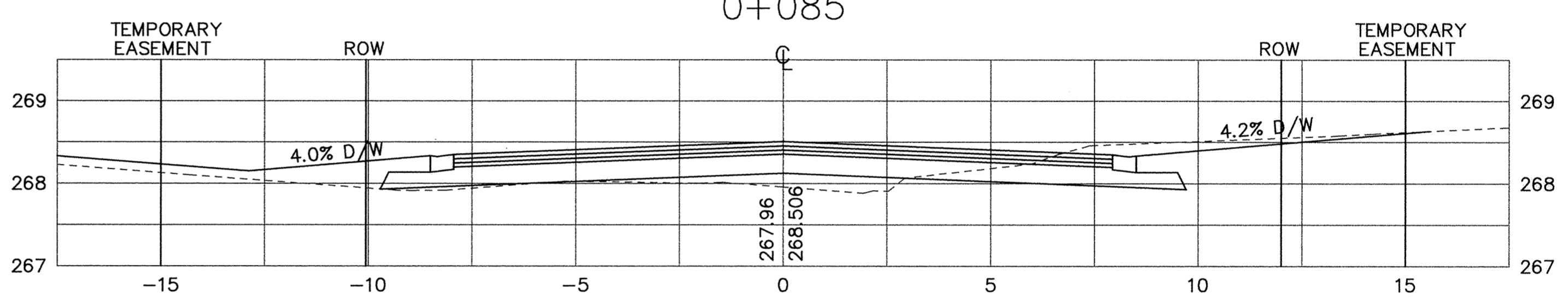
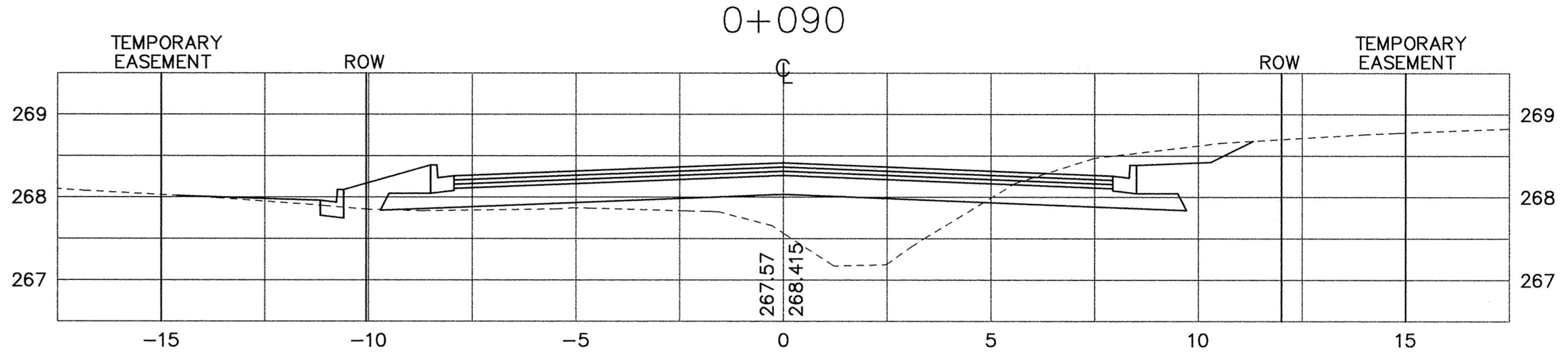
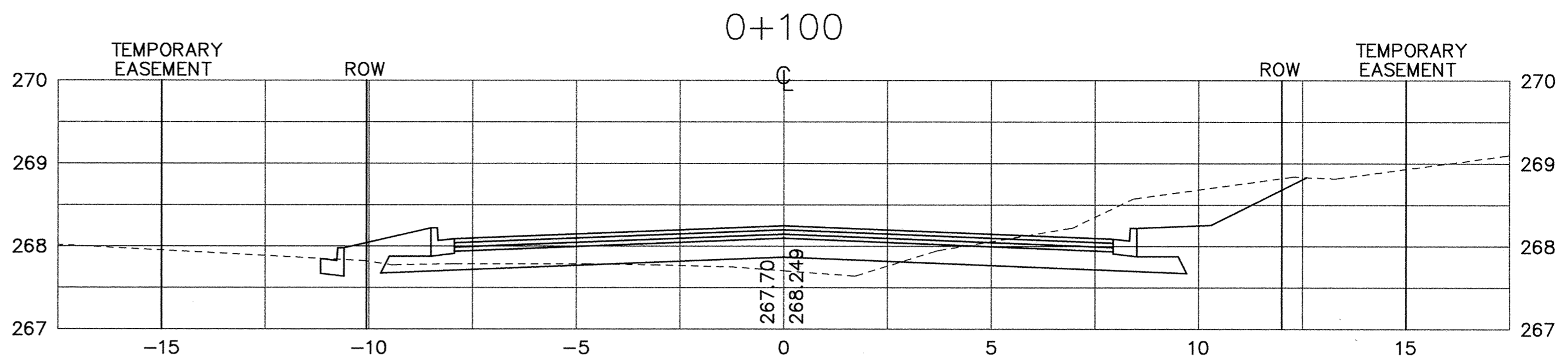
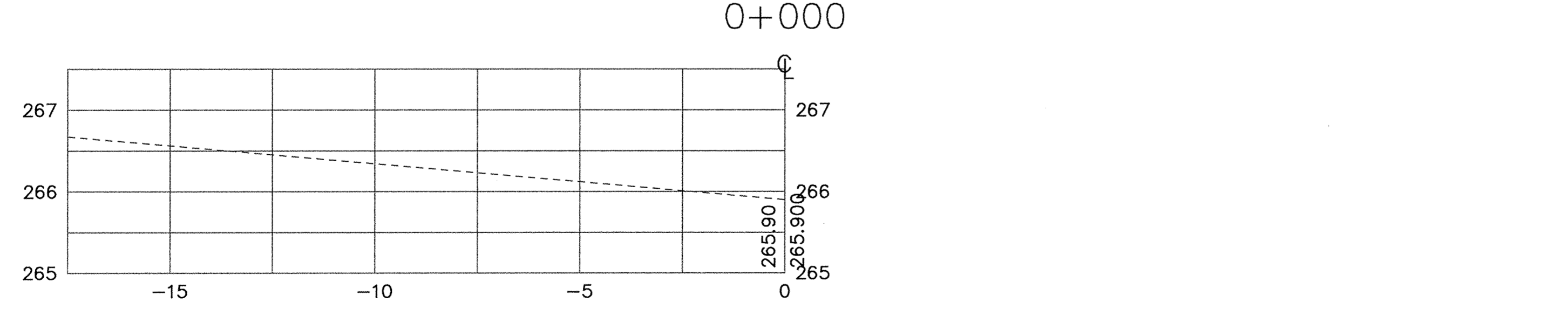
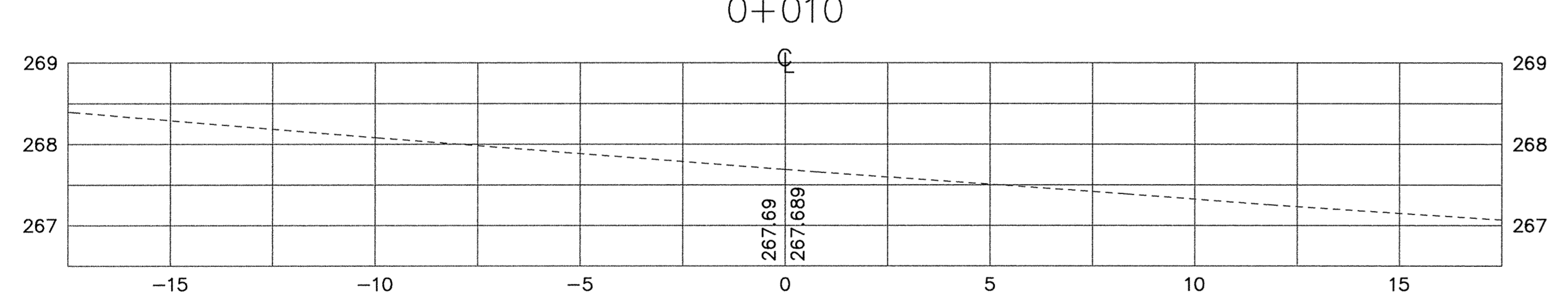
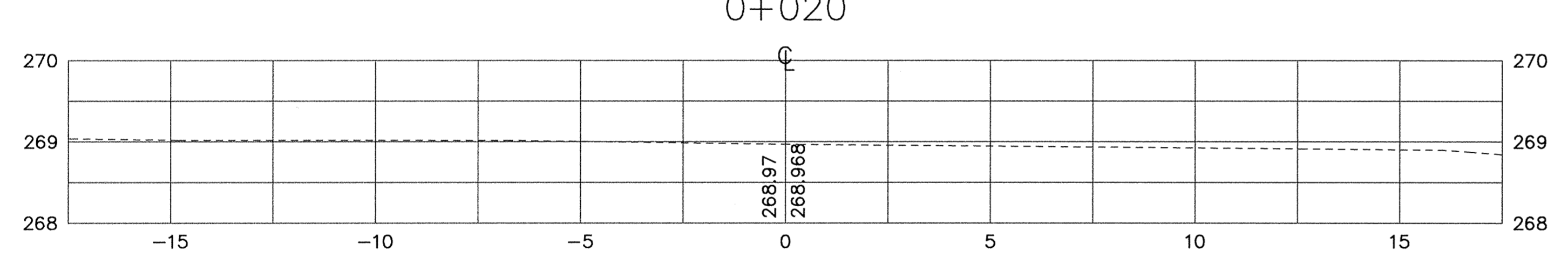
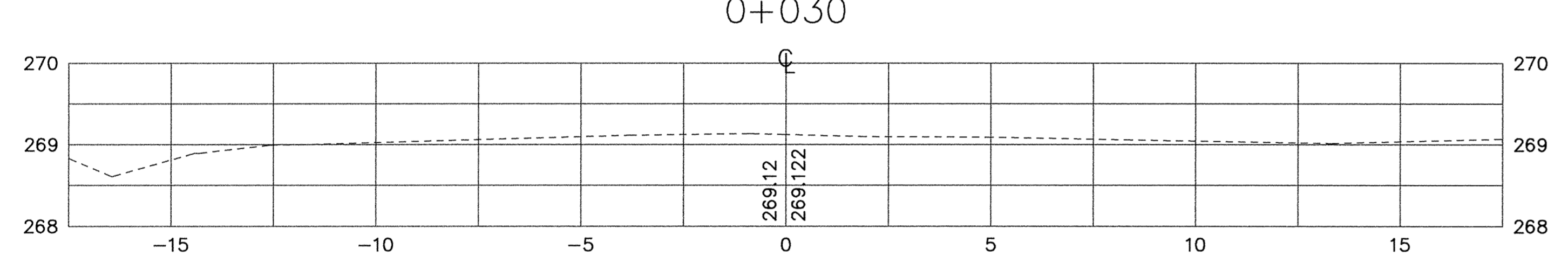
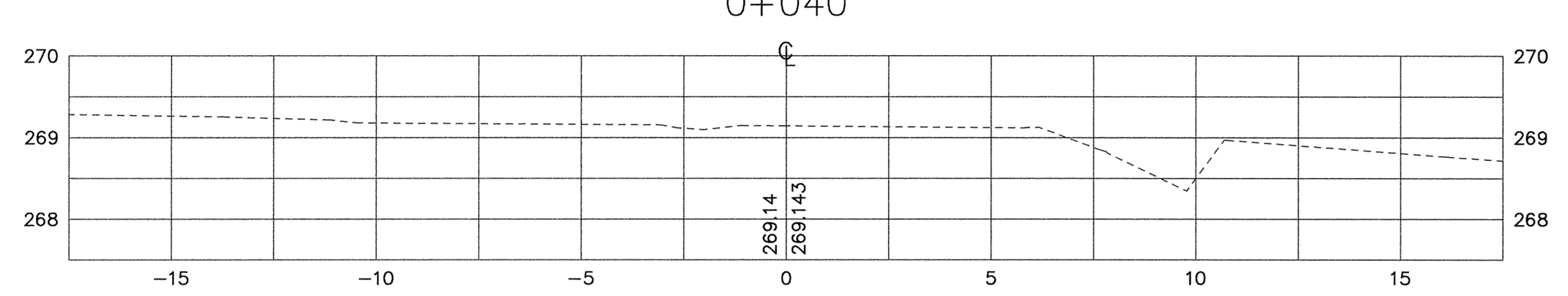
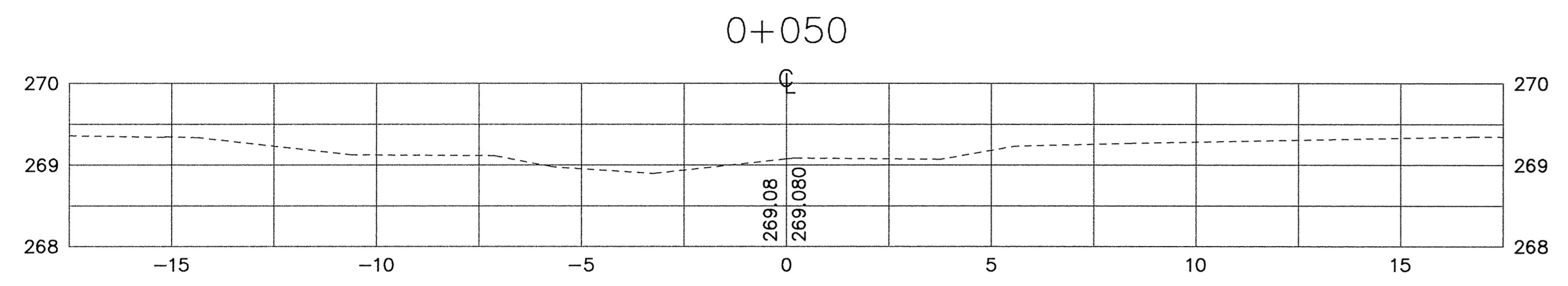


SAICO PRODUCTS • NEW HOPKINS, MINNESOTA
REVISIONS
DATE
DESCRIPTION
DESIGN DRAWN
CHECKED
GRAPHIC SCALES
0 HORIZ (M) 4
1:250
0 VERT (M) 2
1:50
CITY OF ELK RIVER
171ST AVENUE
CROSS SECTIONS
171ST AVENUE
S.A.P. 204-132-01
DATE JULY 1996
SHEET 12 OF 25 SHEETS
PROJECT NO. 230-313-20
STA 0+00 TO STA 0+100



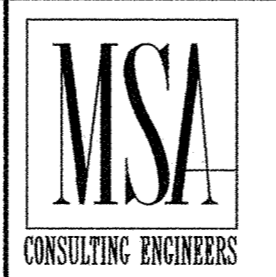
RECORD PLAN
OCTOBER 1997



I HEREBY CERTIFY THAT THIS PLAN, SPECIFICATION, OR REPORT WAS PREPARED BY ME OR UNDER MY DIRECT SUPERVISION AND THAT I AM A DULY REGISTERED PROFESSIONAL ENGINEER UNDER THE LAWS OF THE STATE OF MINNESOTA.

Gregory Mauer

DATE 7/23/96 REG. NO. 15316



1326 ENERGY PARK DRIVE
ST. PAUL, MINNESOTA 55108
(612) 644-4389

REVISIONS	DATE	DESCRIPTION	DESIGN	DRAWN

CITY OF ELK RIVER
171ST AVENUE
CROSS SECTIONS
171ST AVENUE

S.A.P. 204-132-01
DATE JULY 1996
SHEET 12 OF 25 SHEETS
PROJECT NO. 230-313-20
STA 0+00 TO STA 0+100