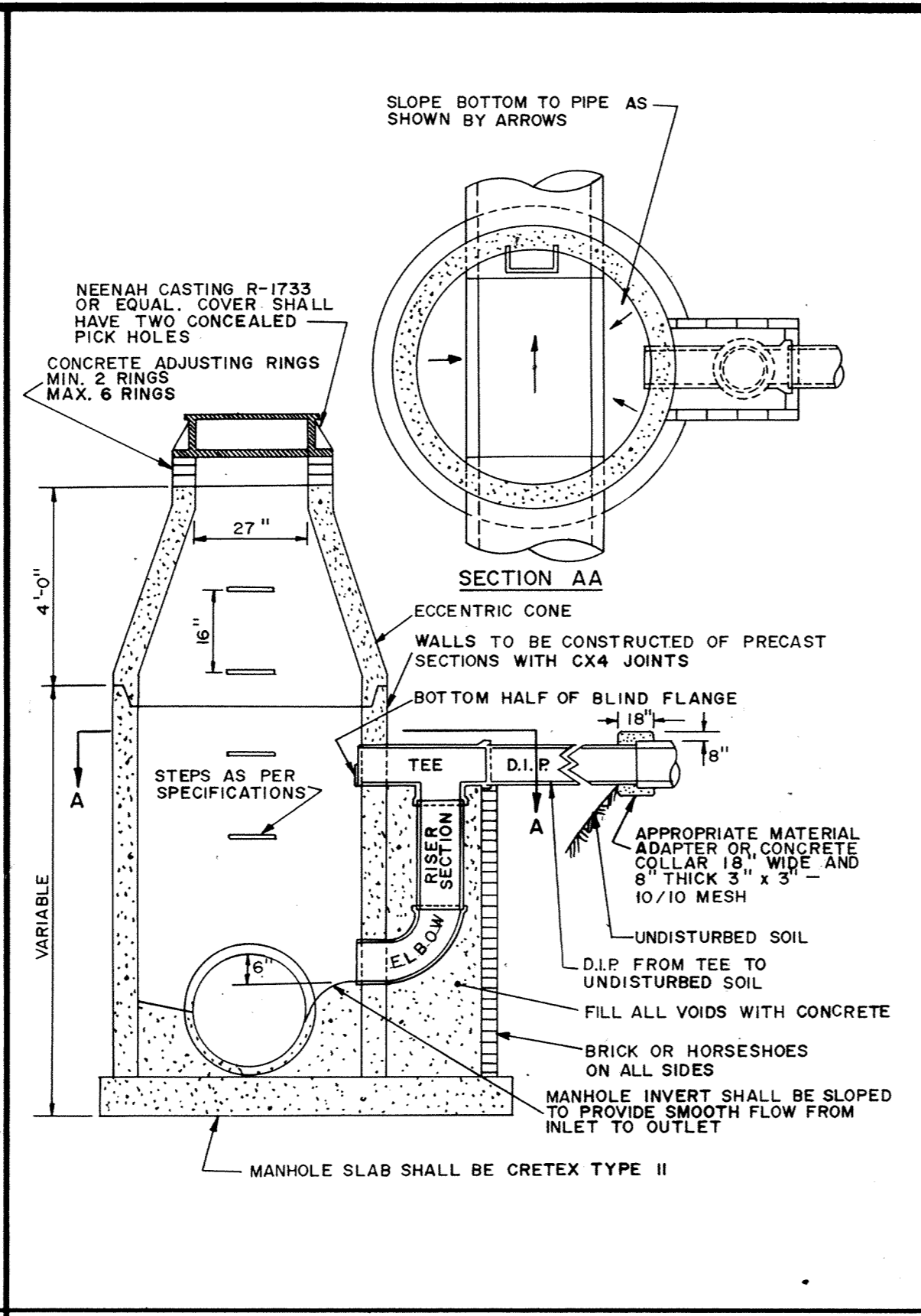
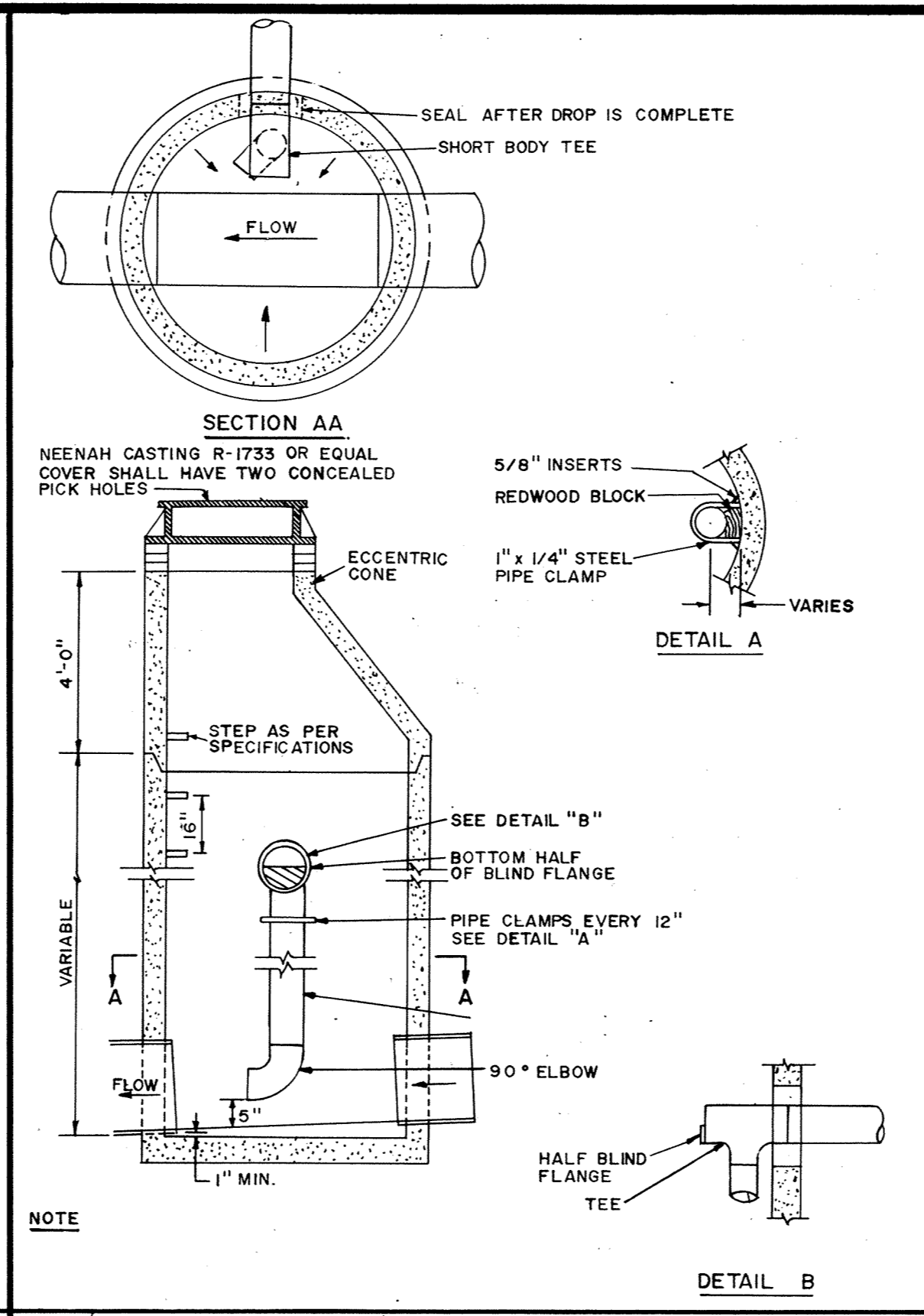


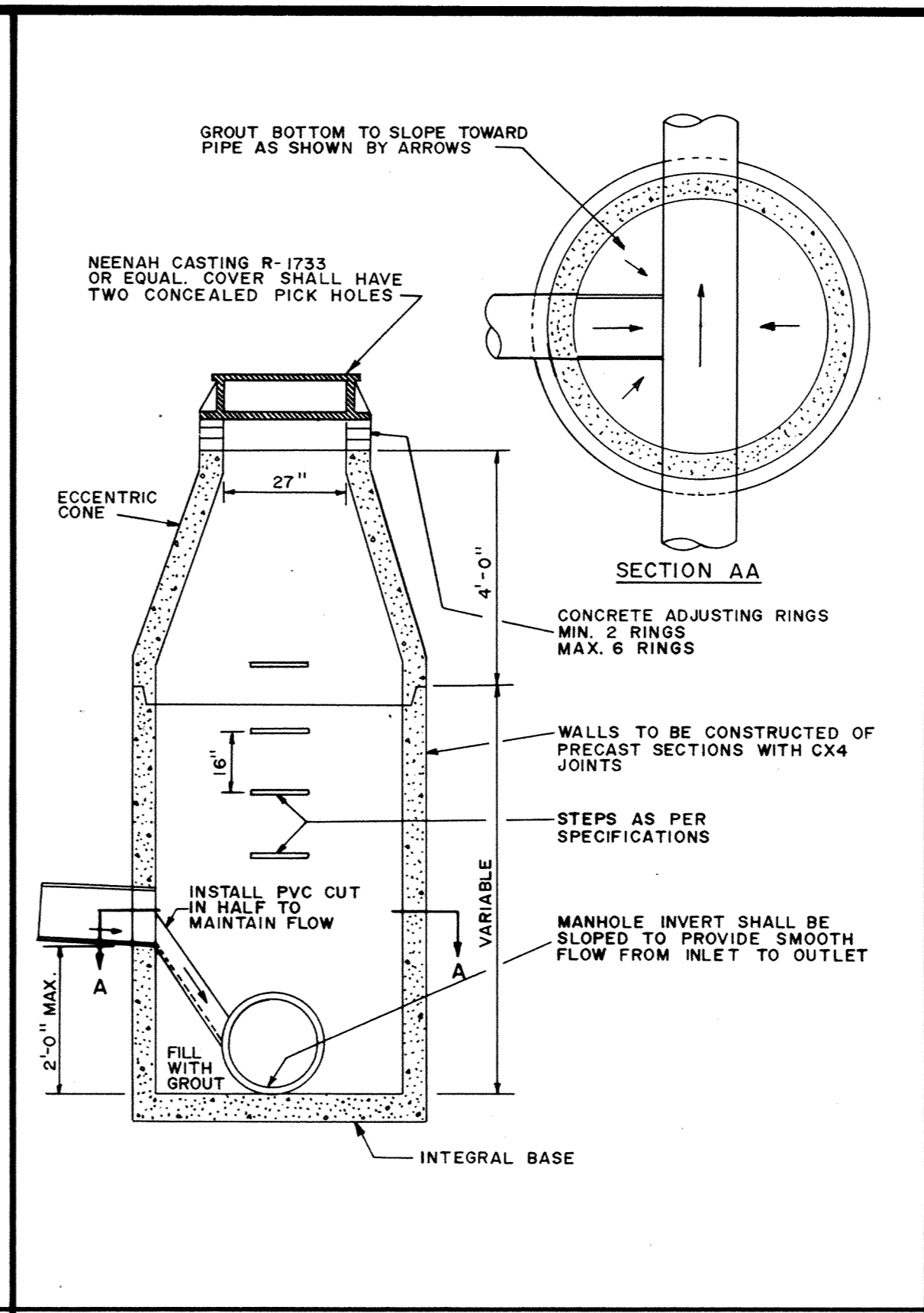
STANDARD AIR RELIEF MANHOLE



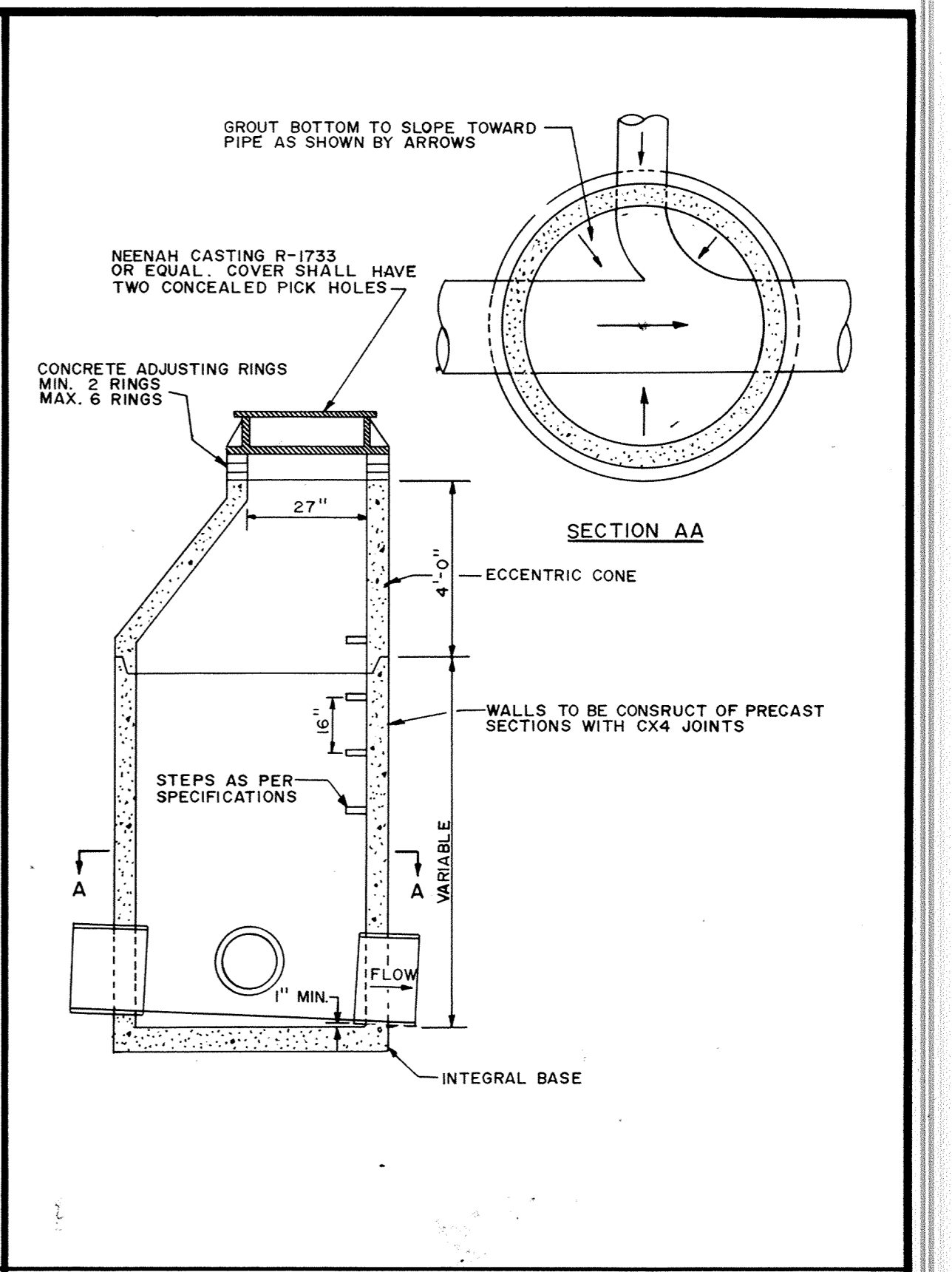
OUTSIDE DROP MANHOLE



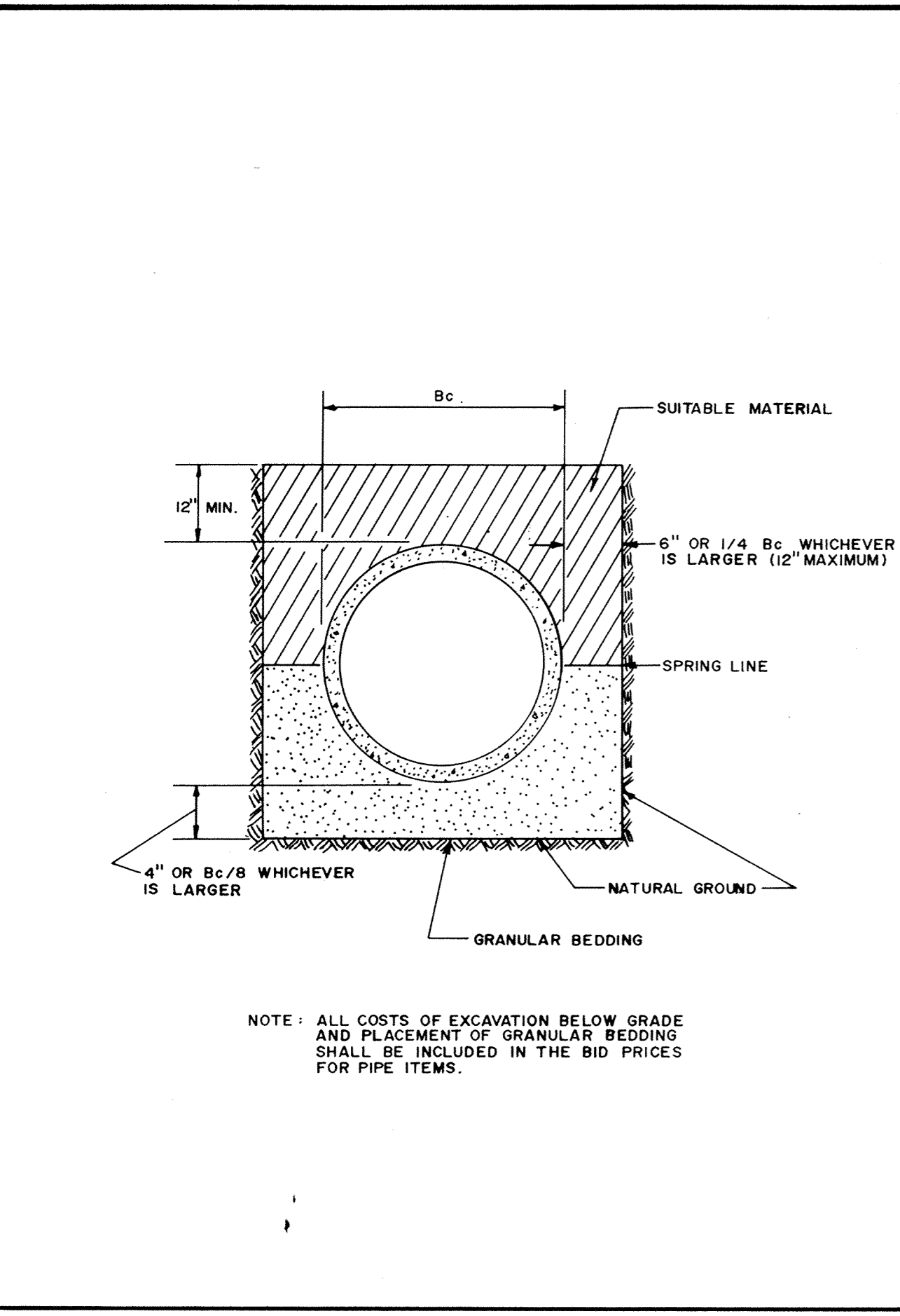
INSIDE DROP MANHOLE



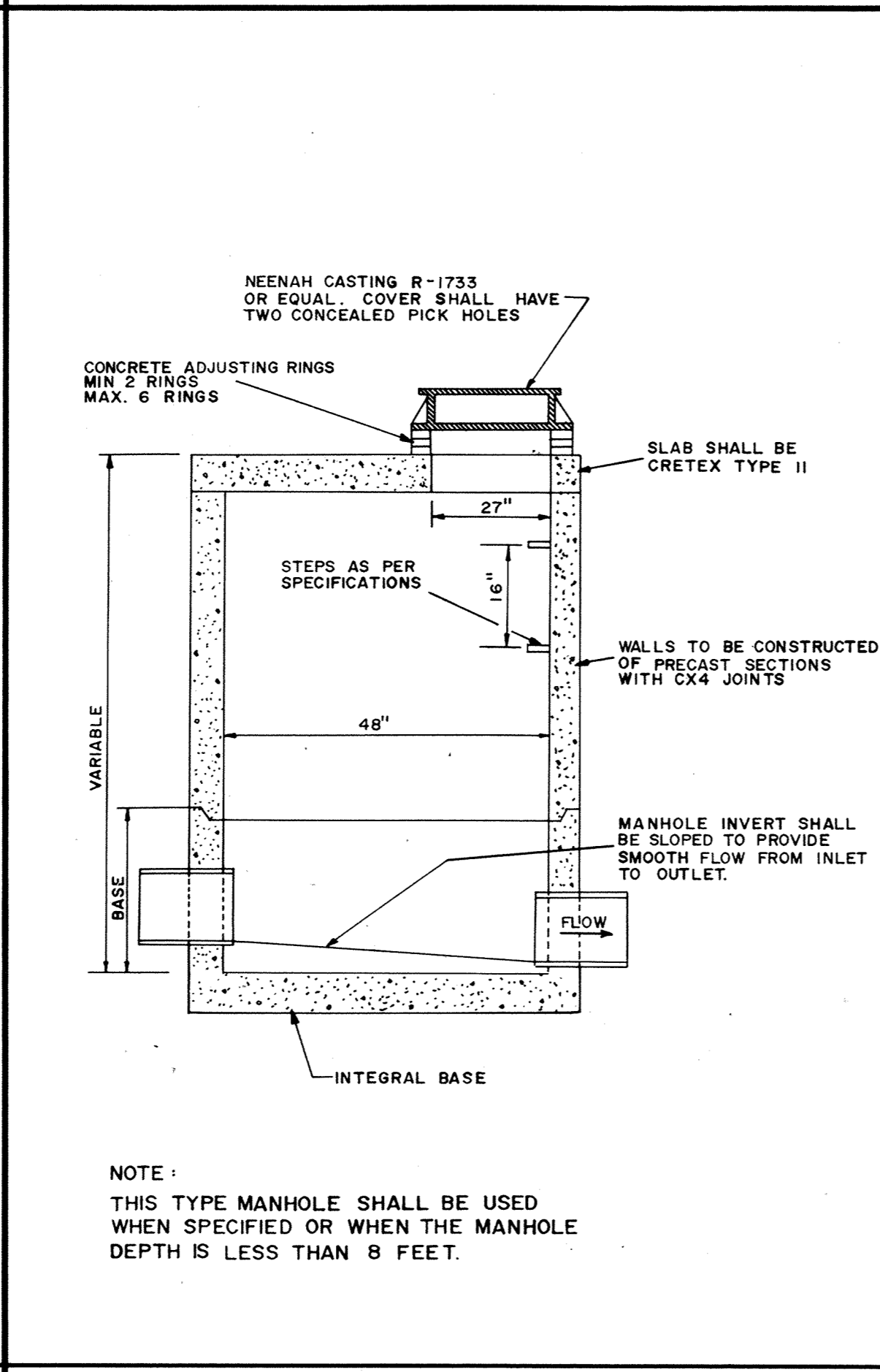
INSIDE DROP MANHOLE (2 FEET OR LESS)



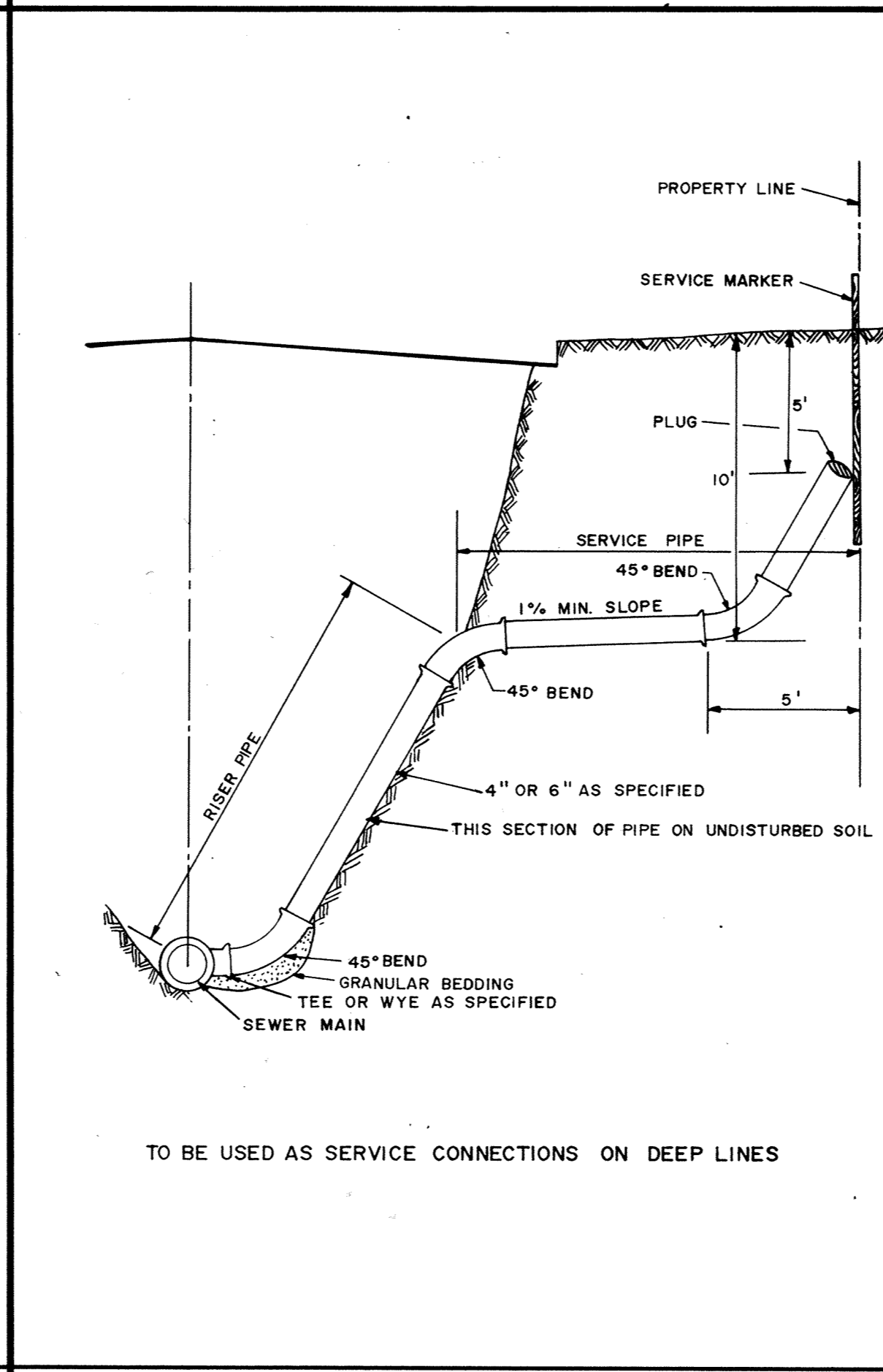
STANDARD MANHOLE



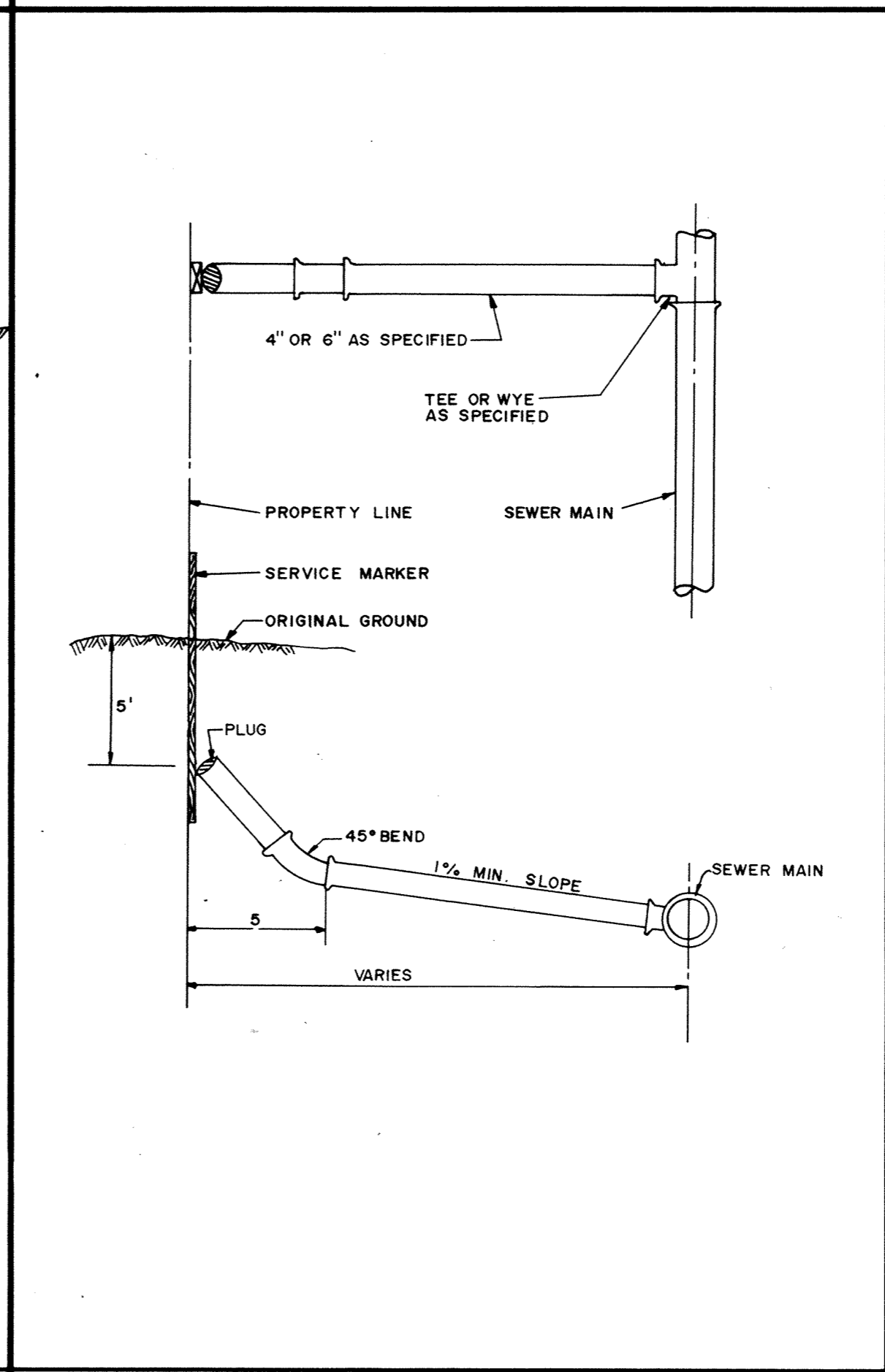
CLASS B PIPE BEDDING



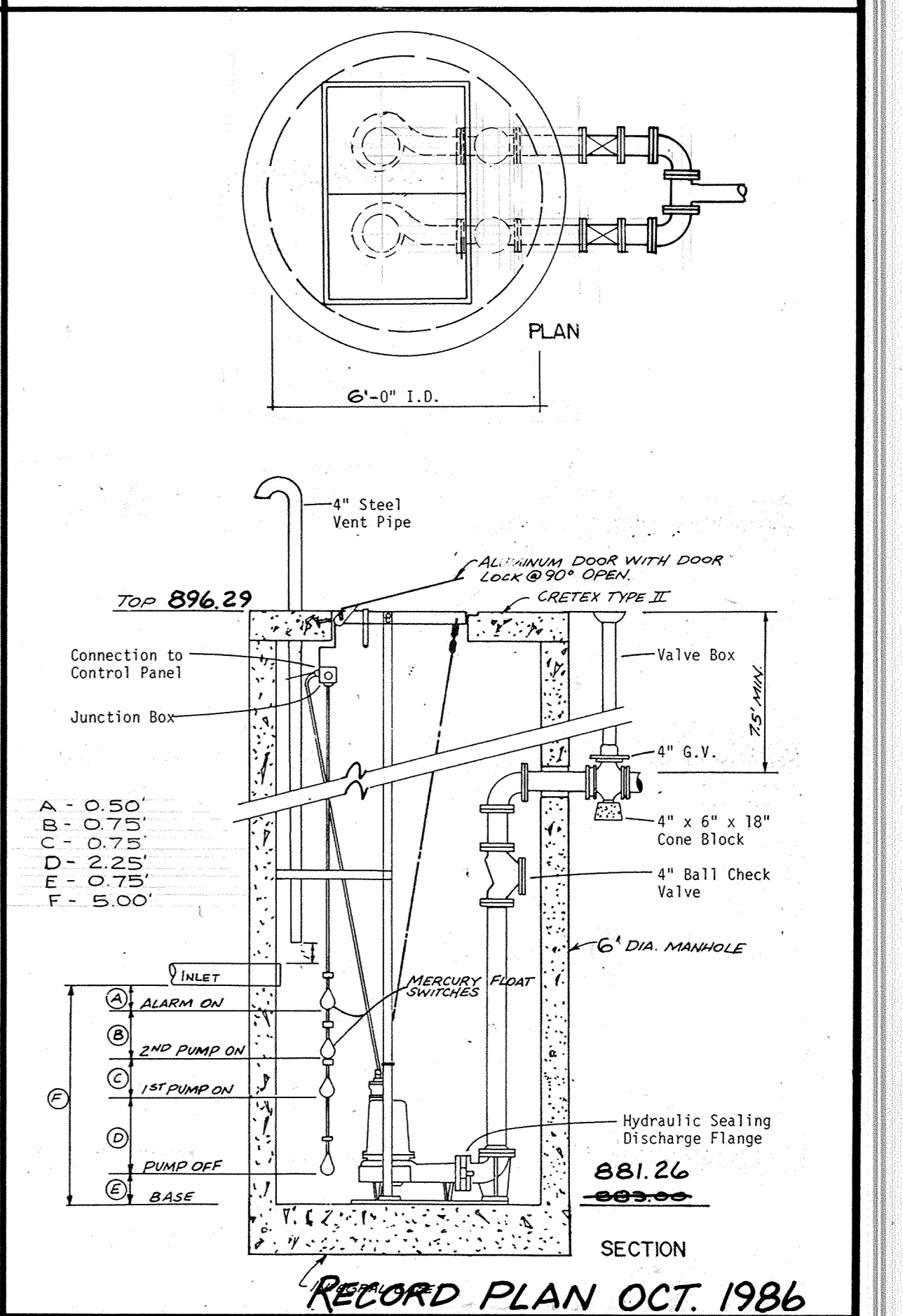
SLAB TOP MANHOLE



SERVICE RISER SECTION



TYPICAL HOUSE SERVICE



LIFT STATION DETAILS

MINNESOTA BLUEPRINT

**MSA** CONSULTING ENGINEERS  
Maier Stewart & Associates Inc.  
480 CEDAR STREET (612)227-9475 ST. PAUL, MINNESOTA 55101

REVISIONS	DATE	DESCRIPTION	DESIGNED	CHECKED	DRAWN	GRAPHIC SCALE
						HORIZ. NONE
						VERT.

CITY OF ELK RIVER  
SANITARY SEWER DETAILS

DRAWING NUMBER  
169THWY 88

DATE FEB. 1986 SHEET 7 OF 7 SHEETS PROJECT NO. 230-013

DRAWING NUMBER

DRAWING NUMBER

DRAWING NUMBER

DRAWING NUMBER  
169THWY 88