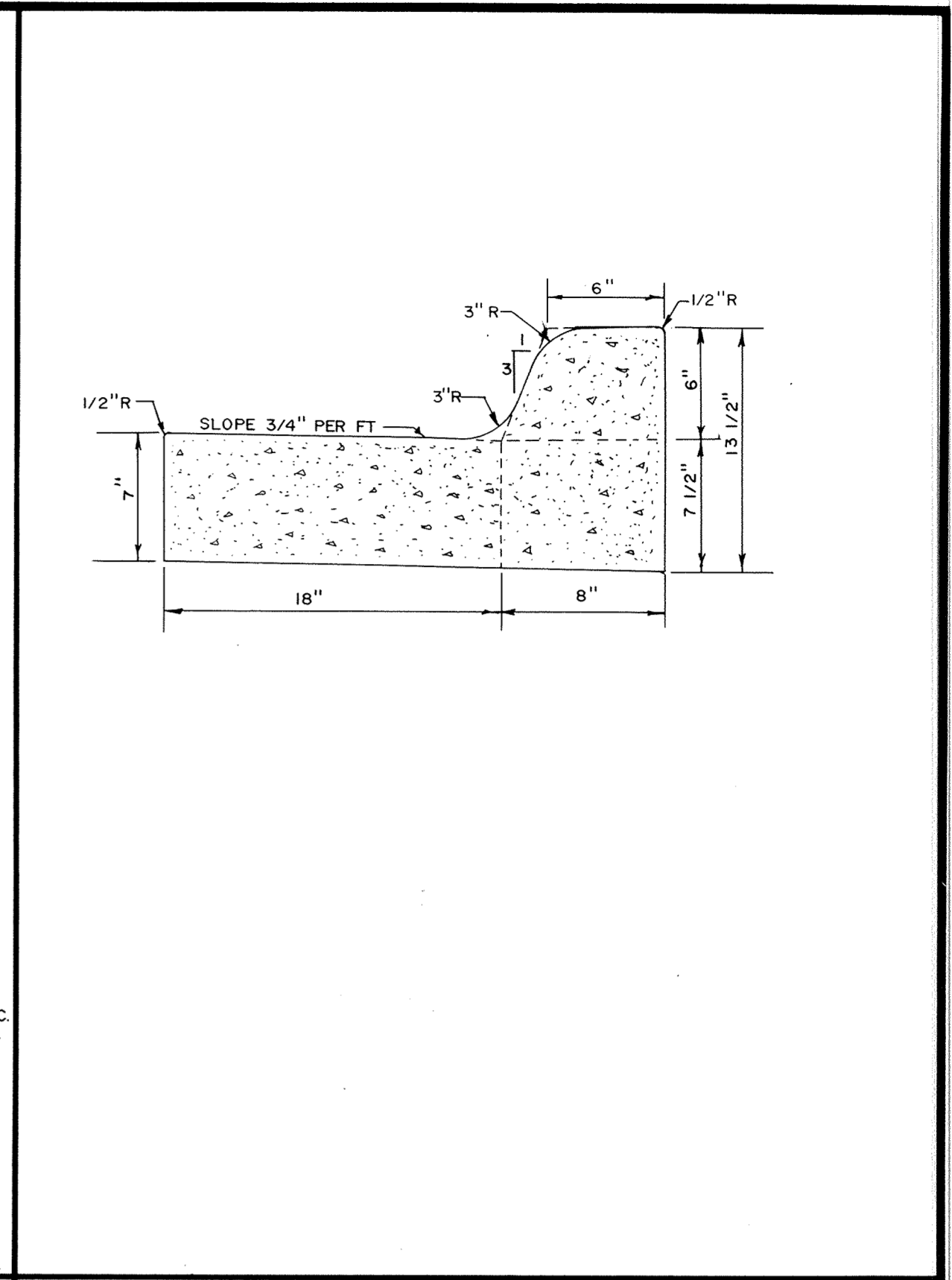
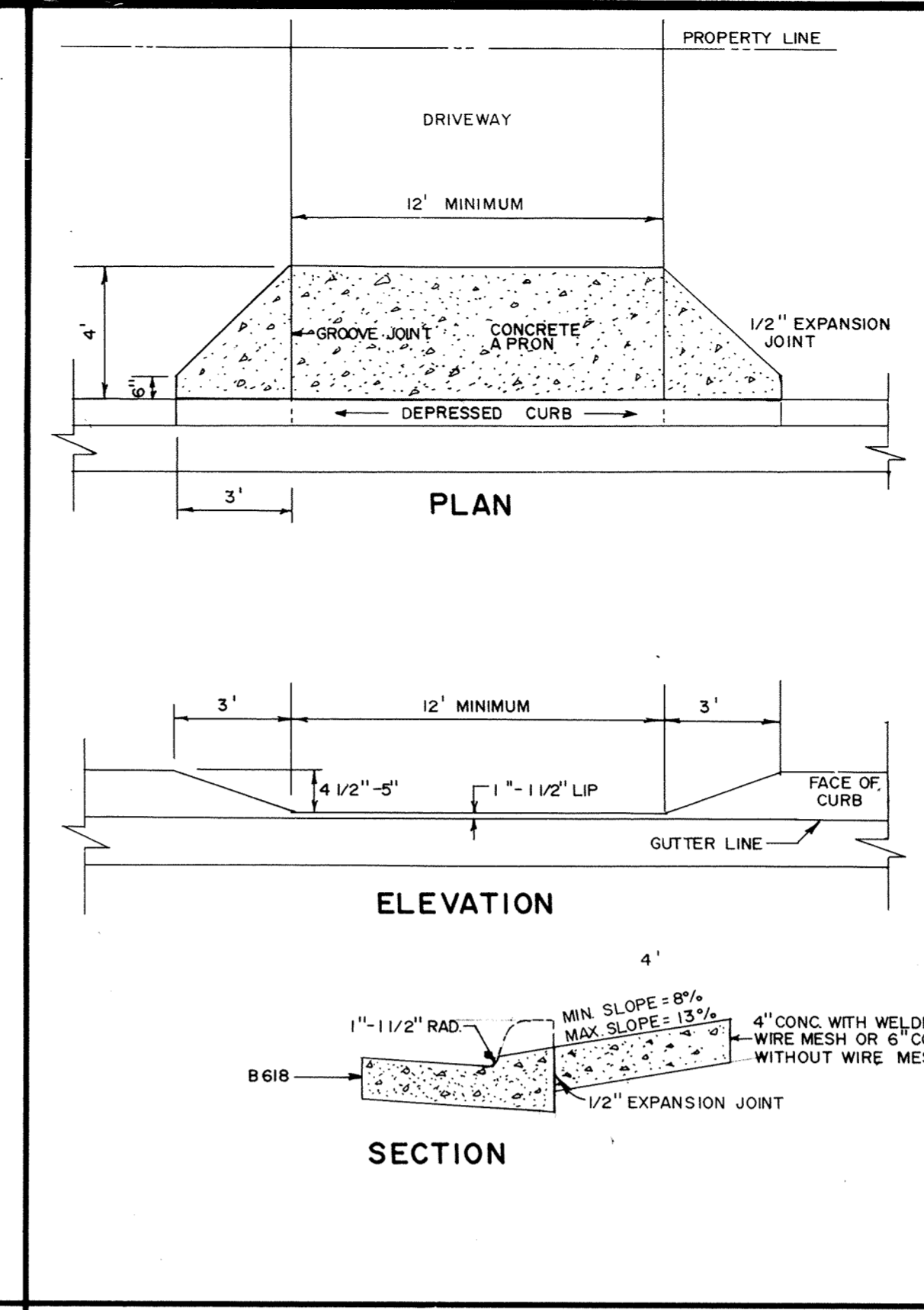


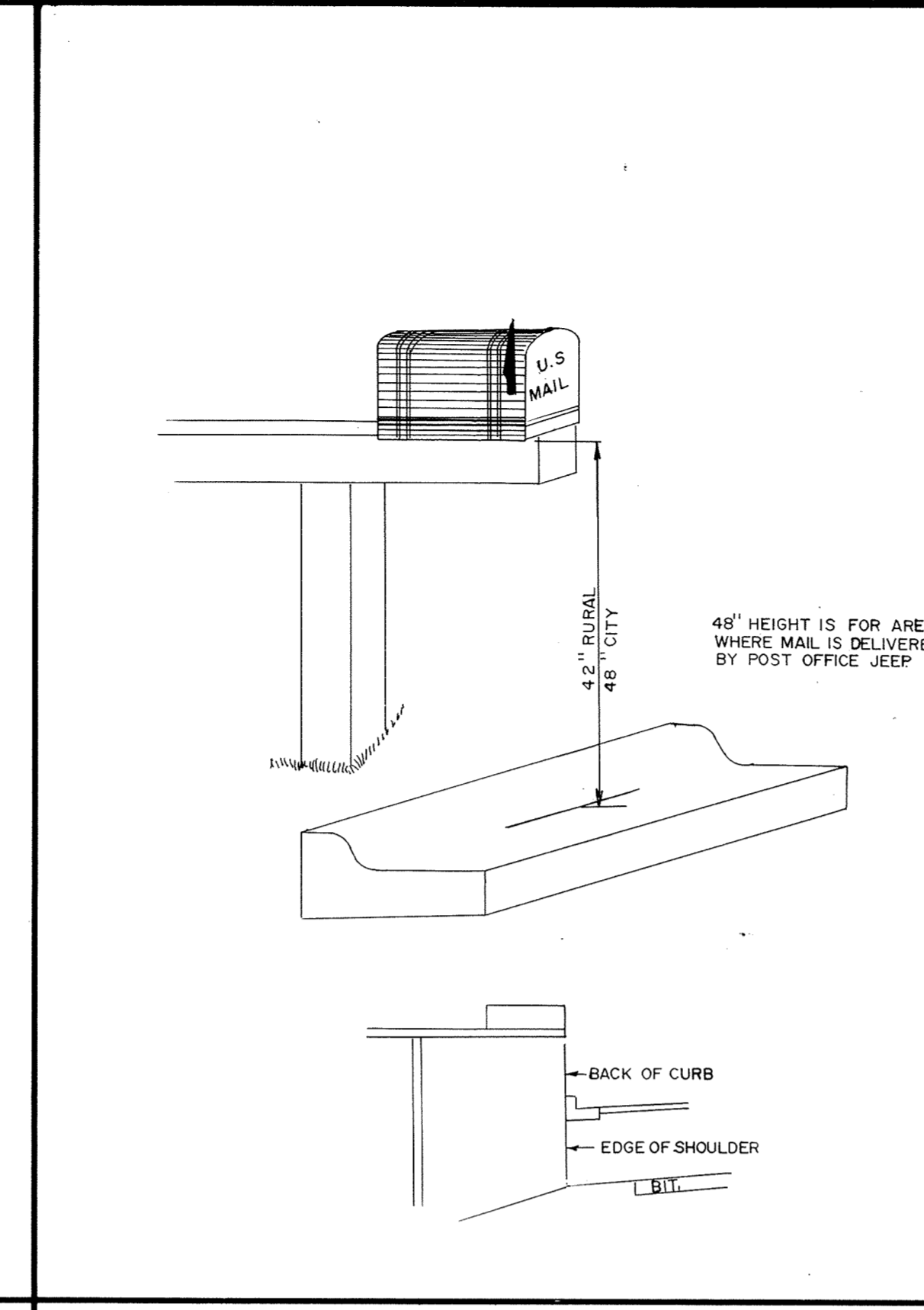
SAFETY PRODUCTS • NEW HART, MINNESOTA
REVISION BY PART NUMBER 0250



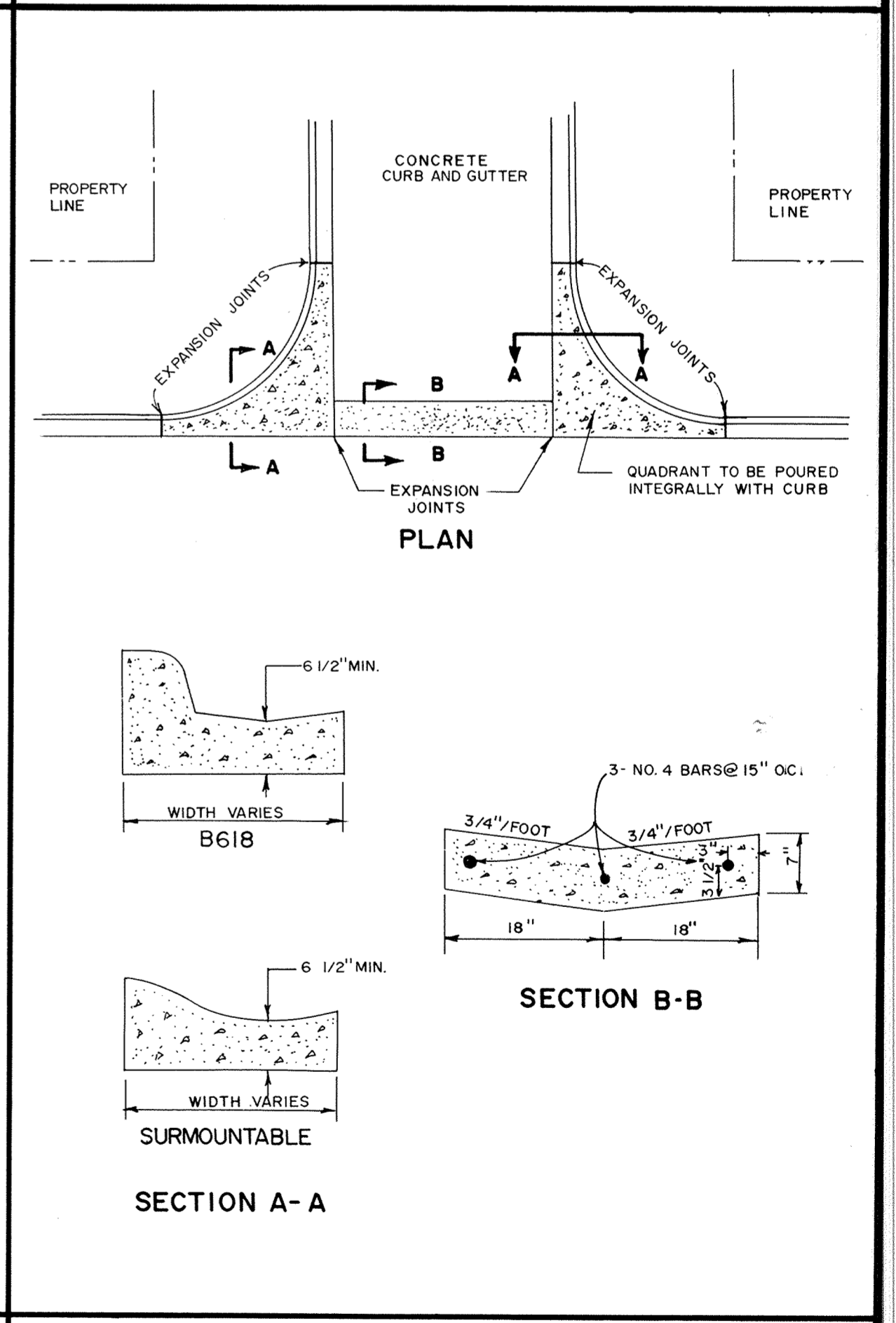
CONCRETE CURB AND GUTTER B618



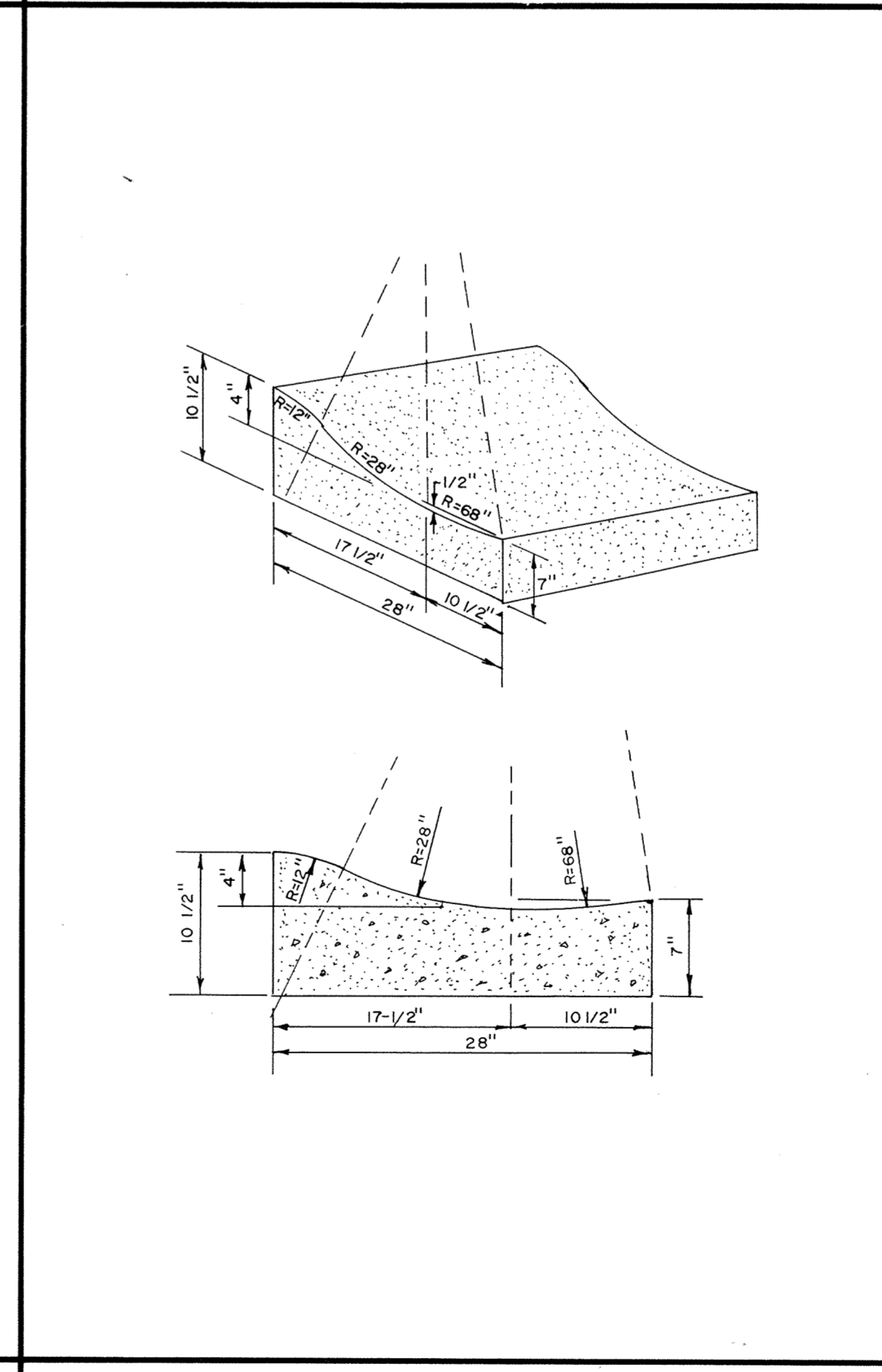
DEPRESSED CURB W/DRIVEWAY APRON



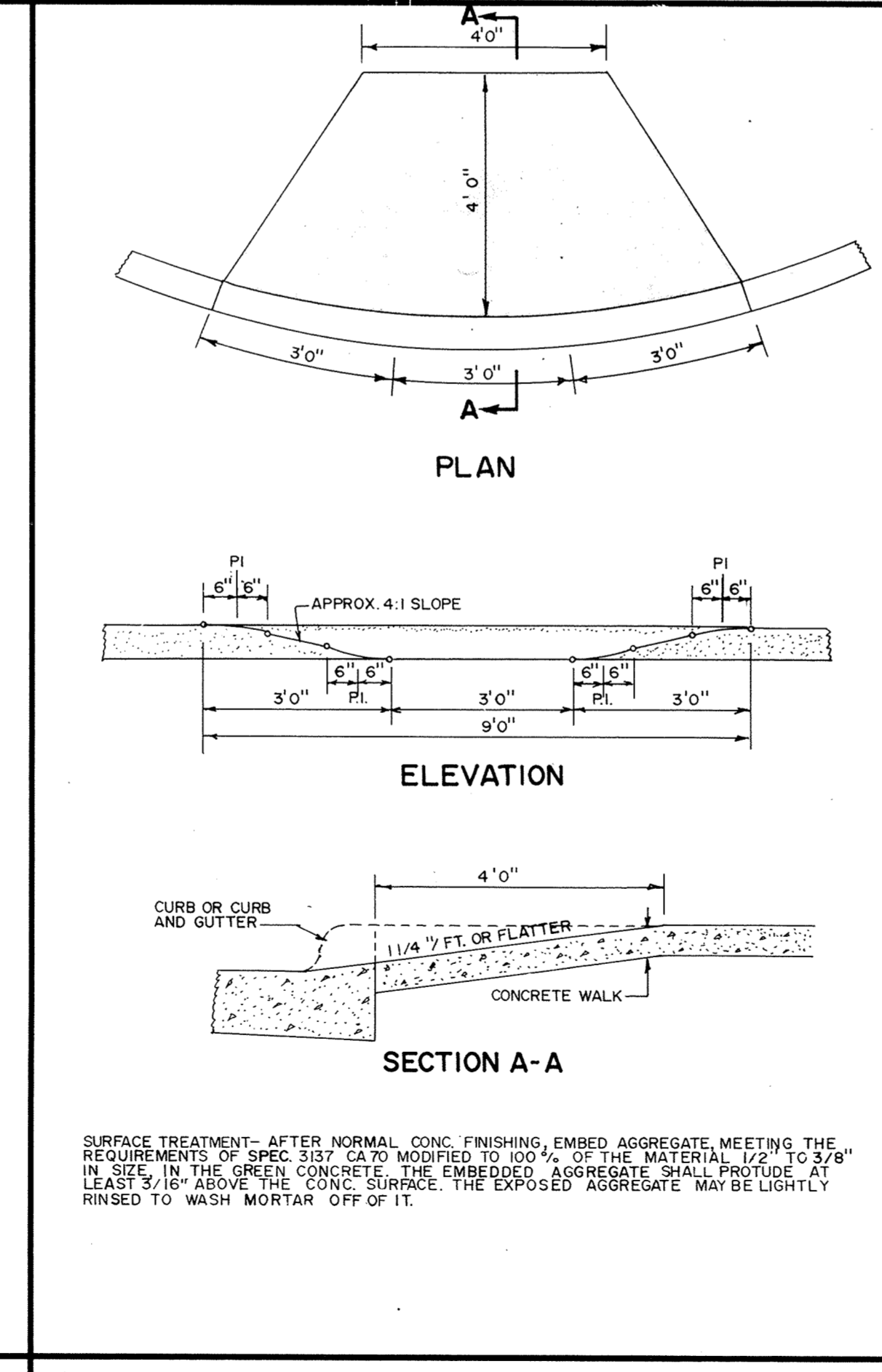
MAIL BOX



CONCRETE "V" GUTTER



SURMOUNTABLE CONCRETE CURB AND GUTTER



PEDESTRIAN CURB RAMPS

DATE	DESCRIPTION	DESIGNED
DEC 88	RECORD PLAN	
		CHECKED
		DRAWN
		GRAPHIC SCALE
		0 HORIZ. None
		0 VERT. None

CITY OF ELK RIVER		
STREET CONSTRUCTION DETAILS		
DATE SEPT 1987	SHEET 5 OF 5 SHEETS	PROJECT NO. 230-039

MSA CONSULTING ENGINEERS
Maier Stewart & Associates Inc.
 1959 SLOAN PLACE (612) 774-6021 ST. PAUL, MINNESOTA 55117