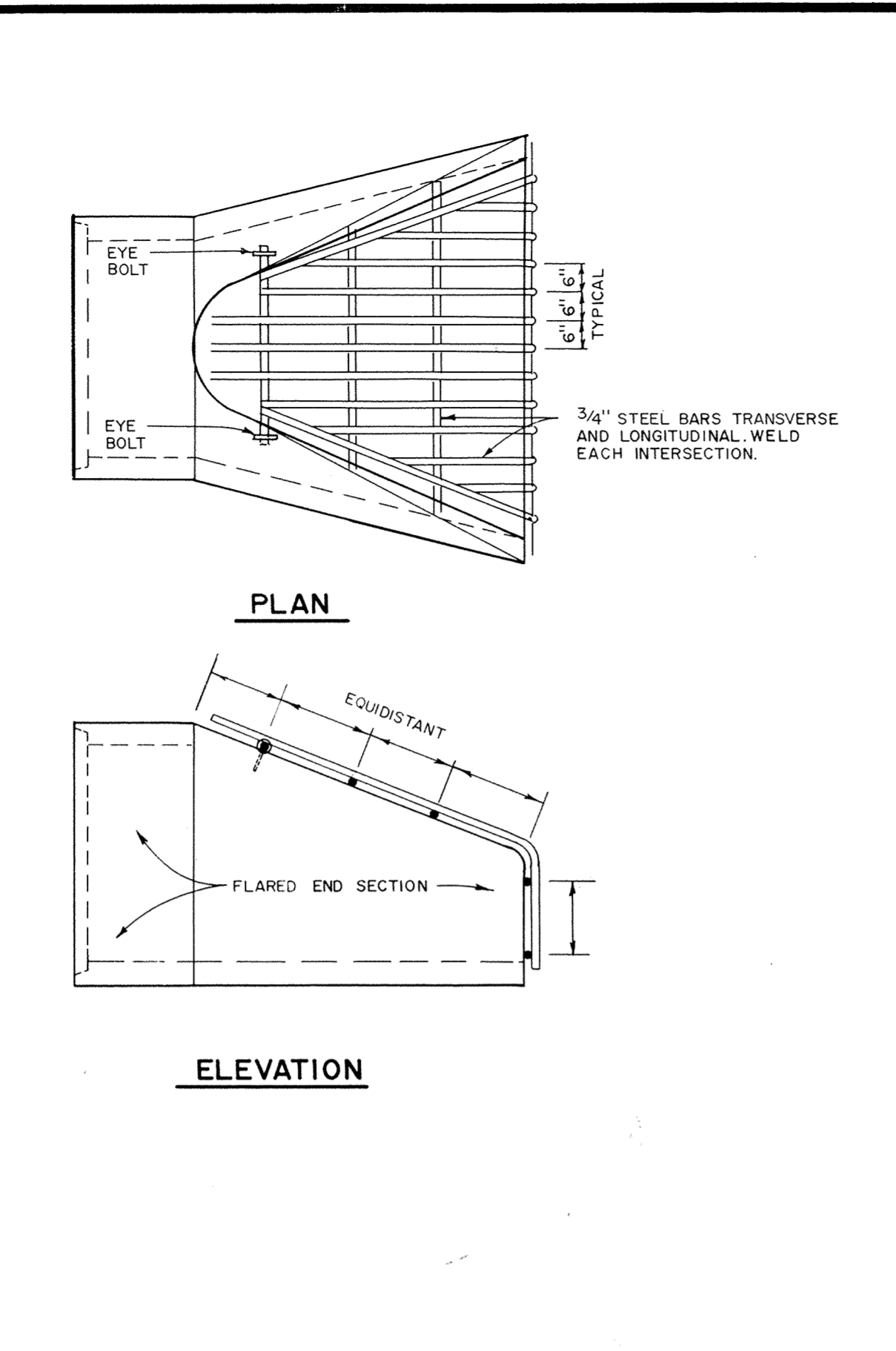
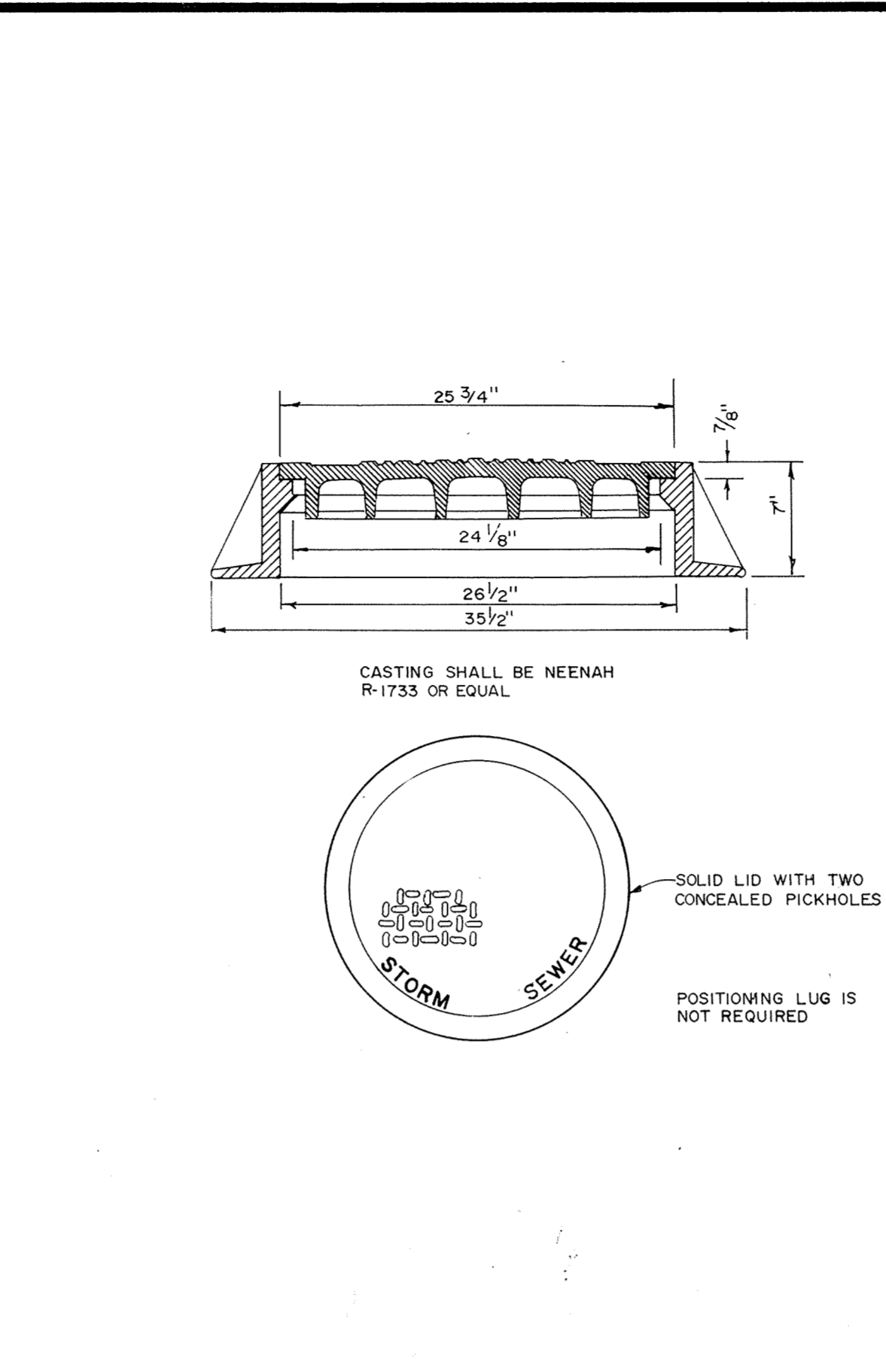


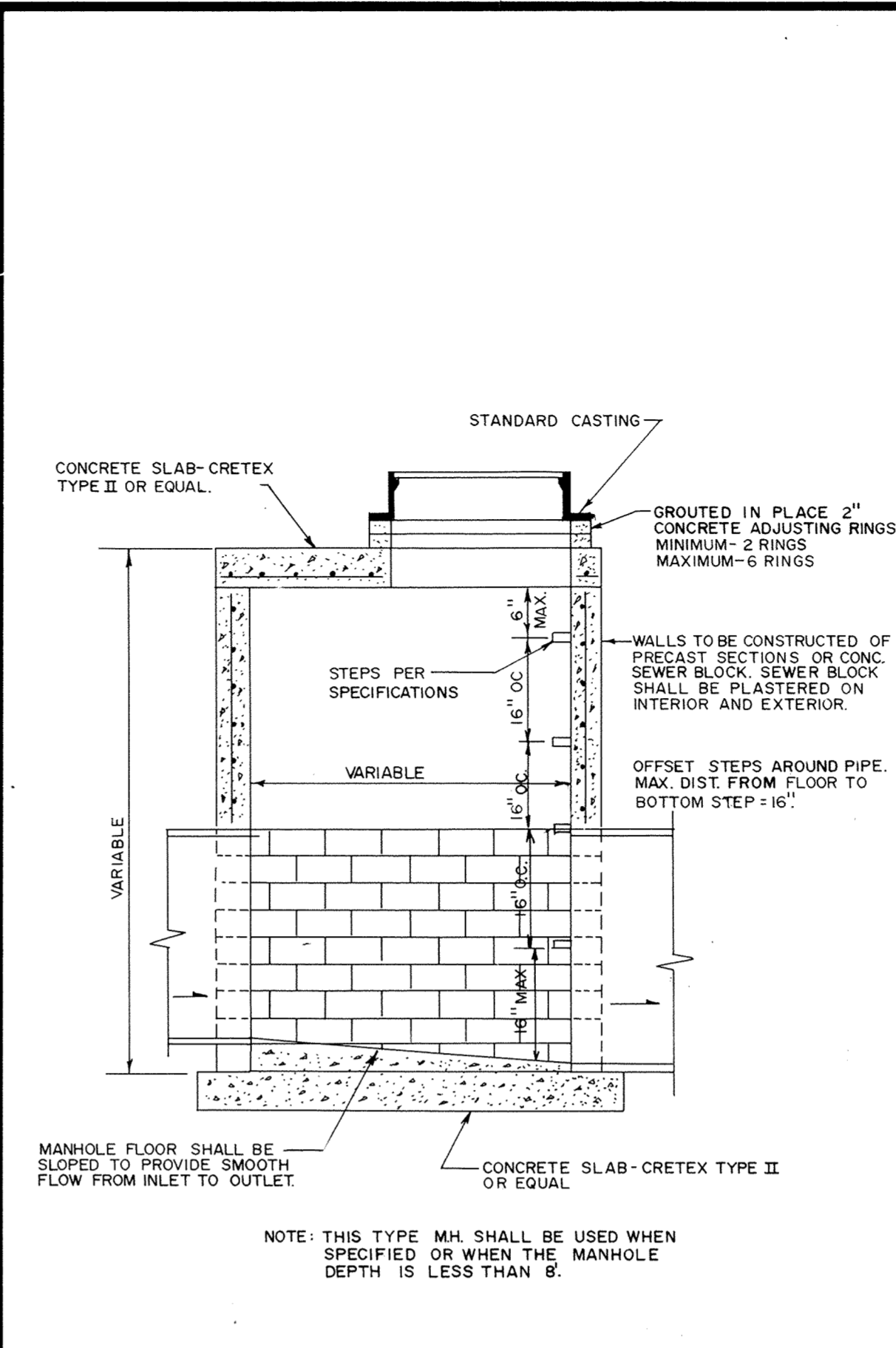
RIP-RAP INSTALLATION



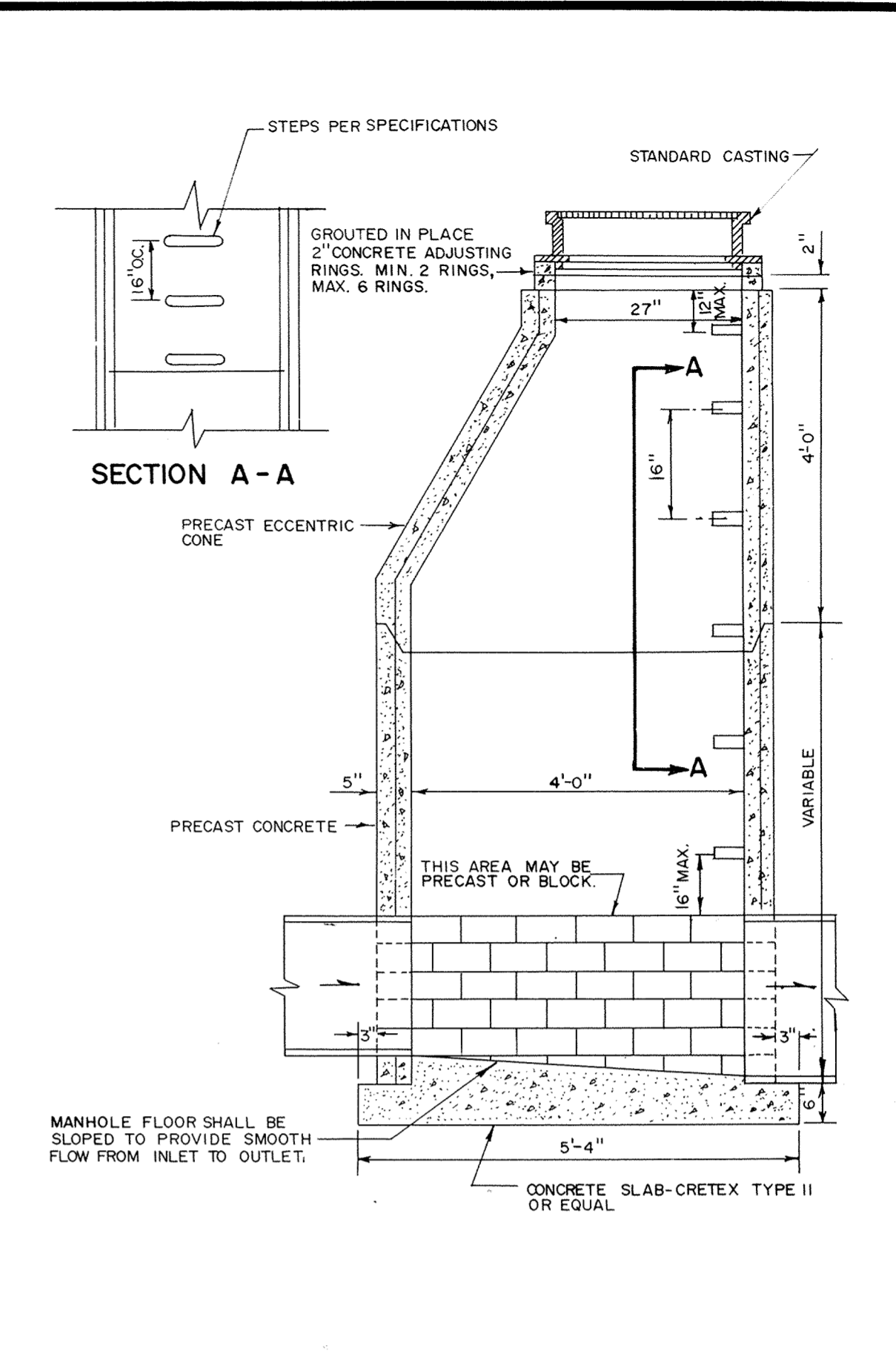
TRASH GUARD



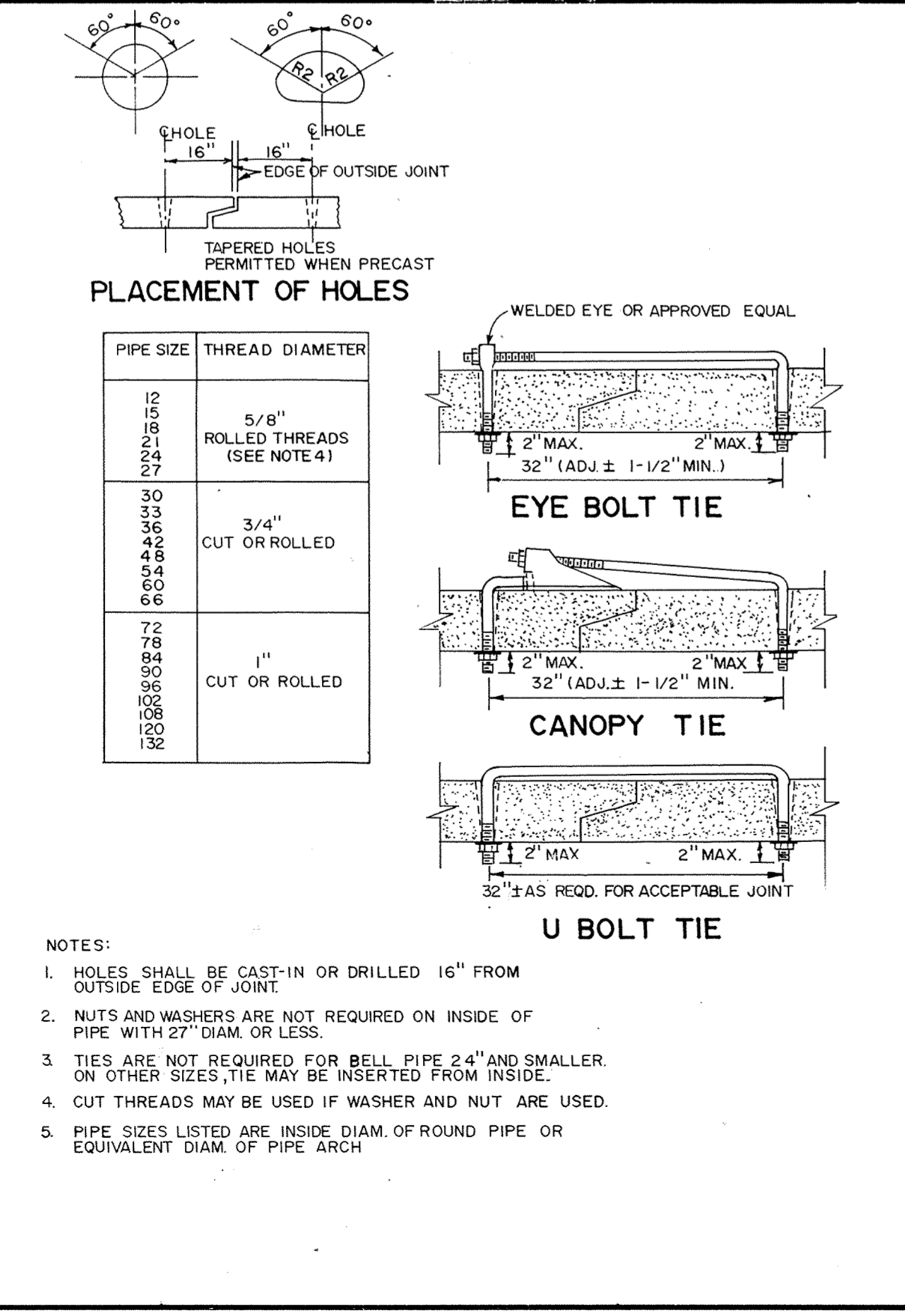
STANDARD MANHOLE CASTING



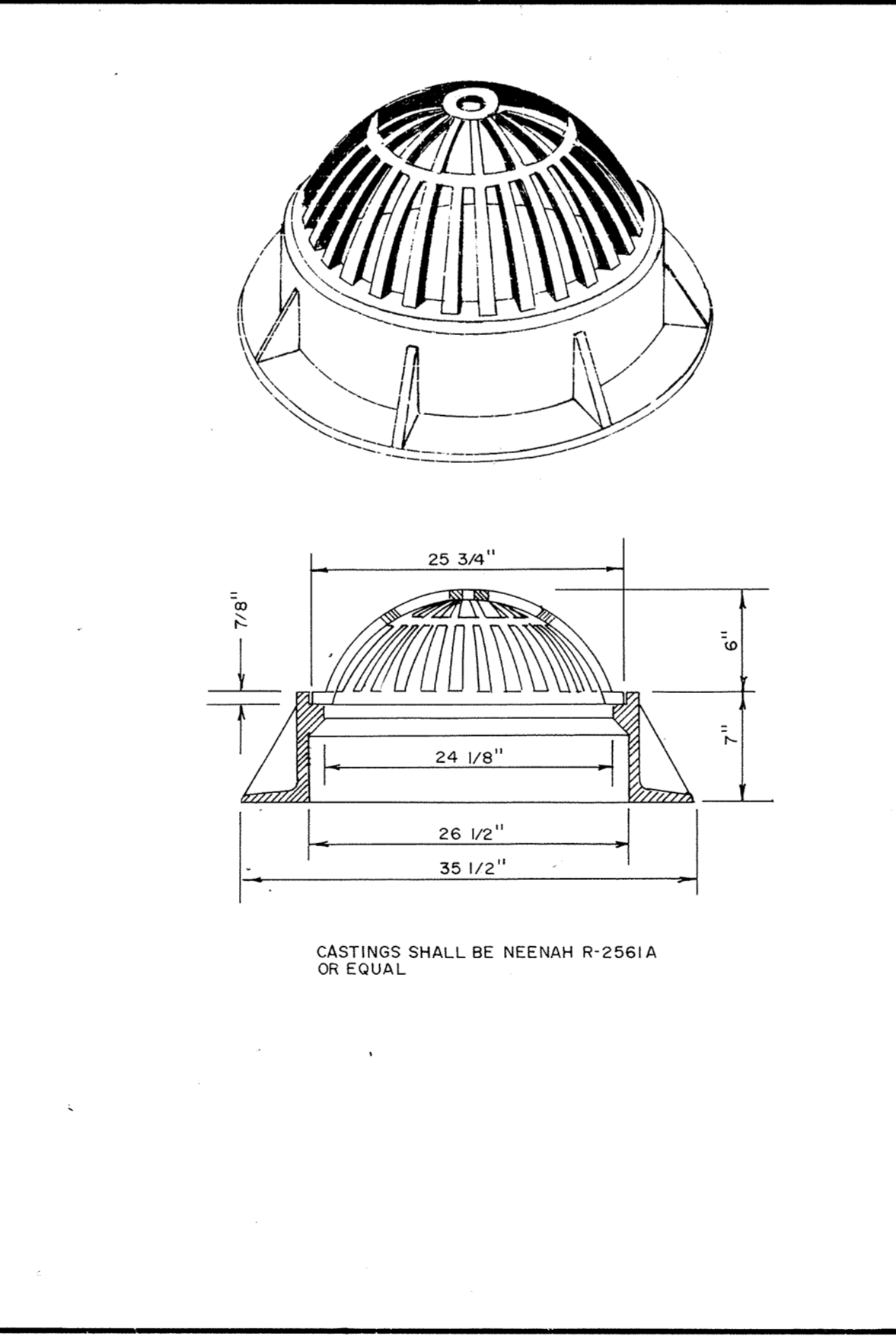
SLAB-TOP MANHOLE



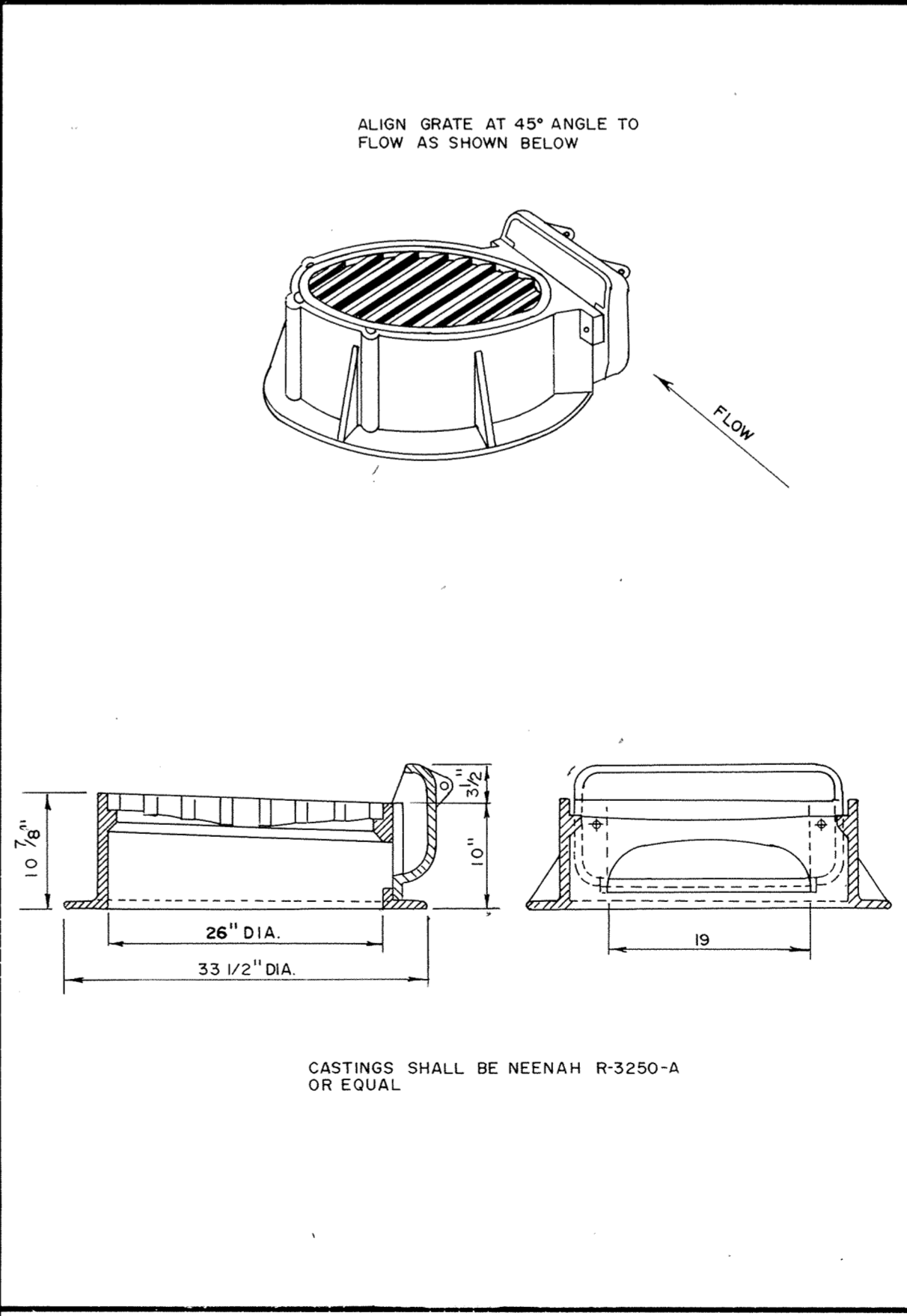
STANDARD MANHOLE



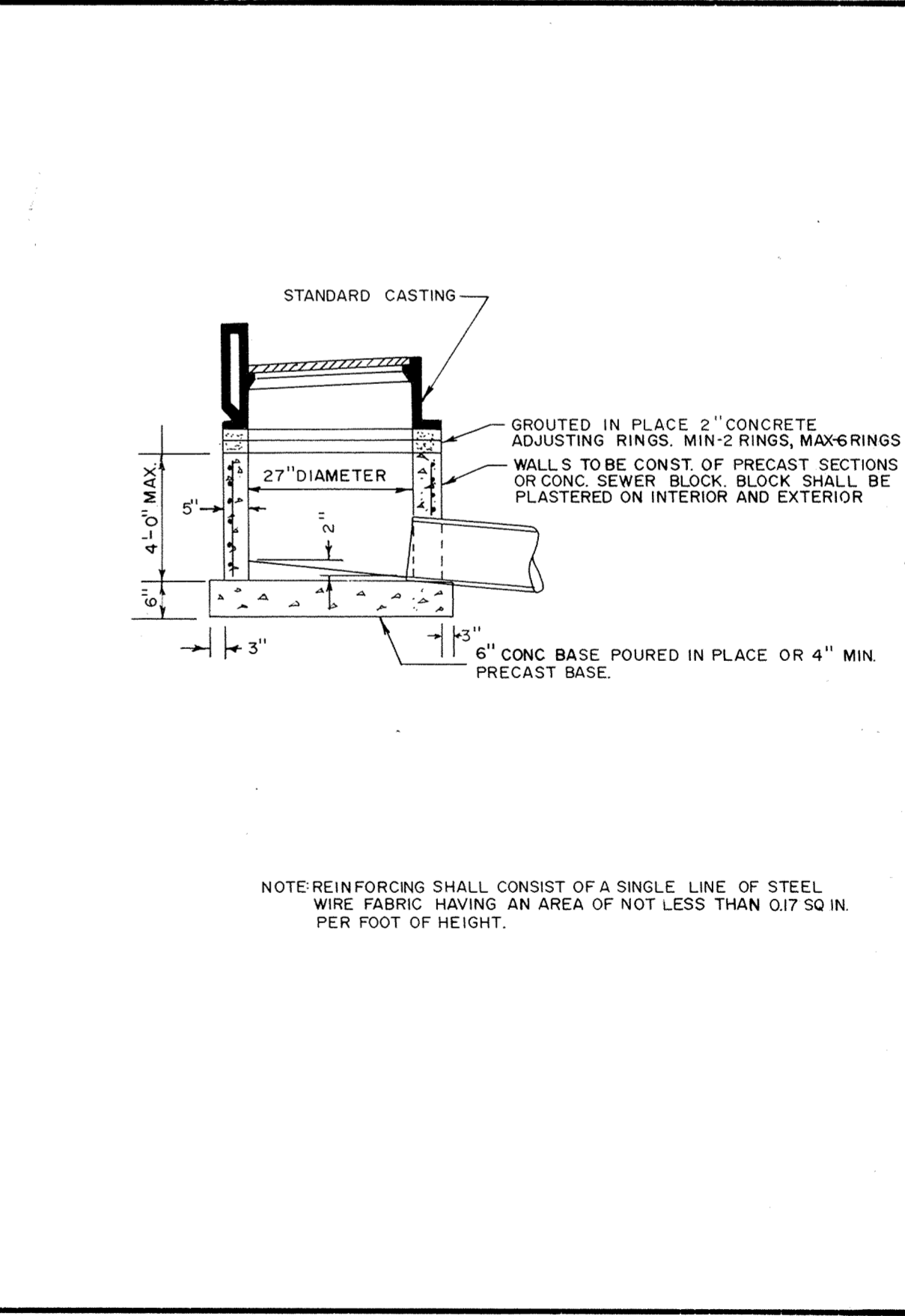
CONCRETE PIPE JOINT TIES



BEEHIVE CASTING



STANDARD INLET CASTING



SHALLOW CATCH BASIN

Maier Stewart & Associates Inc.
 CONSULTING ENGINEERS
 1959 SLOAN PLACE (612) 774-6021 ST. PAUL, MINNESOTA 55117

DATE	DESCRIPTION	DESIGNED
DEC 88	RECORD PLAN	CHECKED
		DRAWN <i>ARJ</i>
		GRAPHIC SCALE
		0 HORIZ. <i>None</i>
		0 VERT.

CITY OF ELK RIVER
STORM SEWER DETAILS
 DATE *SEPT 1987* SHEET *4* OF *5* SHEETS PROJECT NO. *230-039*