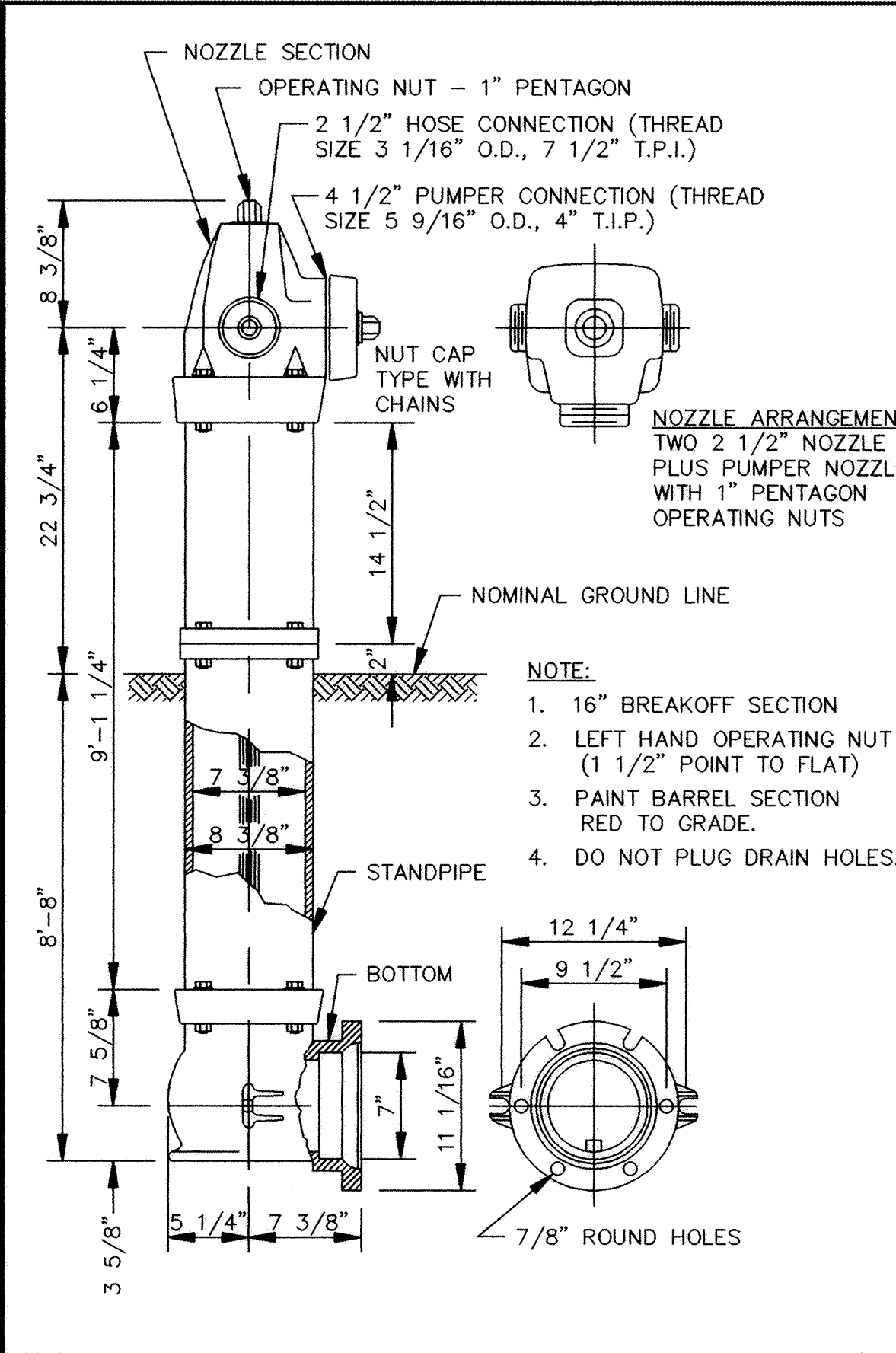
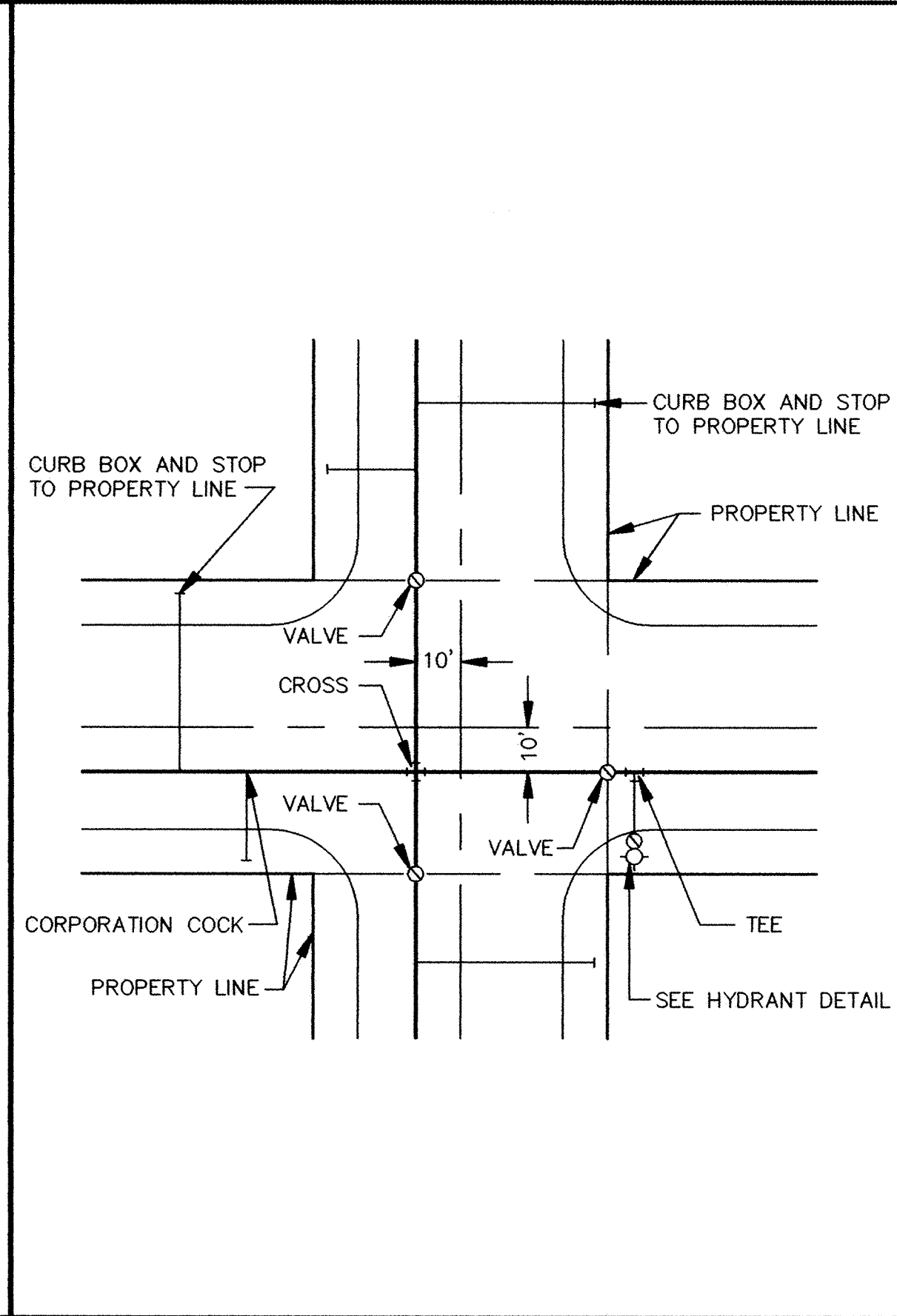


NOMINAL FITTING SIZE (INCHES)	TEE, WYE, PLUG OR CAP	90° BEND, PLUGGED CROSS	TEE PLUGGED ON RUN		45° BEND	22 1/2° BEND	11 1/4° BEND
			A ¹	A ²			
4	1.0	1.4	1.9	1.4	1.0	---	---
6	2.1	3.0	4.3	3.0	1.6	1.0	---
8	3.8	5.3	7.6	5.4	2.9	1.5	1.0
10	5.9	8.4	11.8	8.4	4.6	2.6	1.2
12	8.5	12.0	17.0	12.0	6.6	3.4	1.7
14	11.5	16.3	23.0	16.3	8.9	4.6	2.3
16	15.0	21.3	30.0	21.3	11.6	6.0	3.0
18	19.0	27.0	38.0	27.0	14.6	7.6	3.8
20	23.5	33.3	47.0	33.3	18.1	9.4	4.7
24	34.0	48.0	68.0	48.0	26.2	13.6	6.8

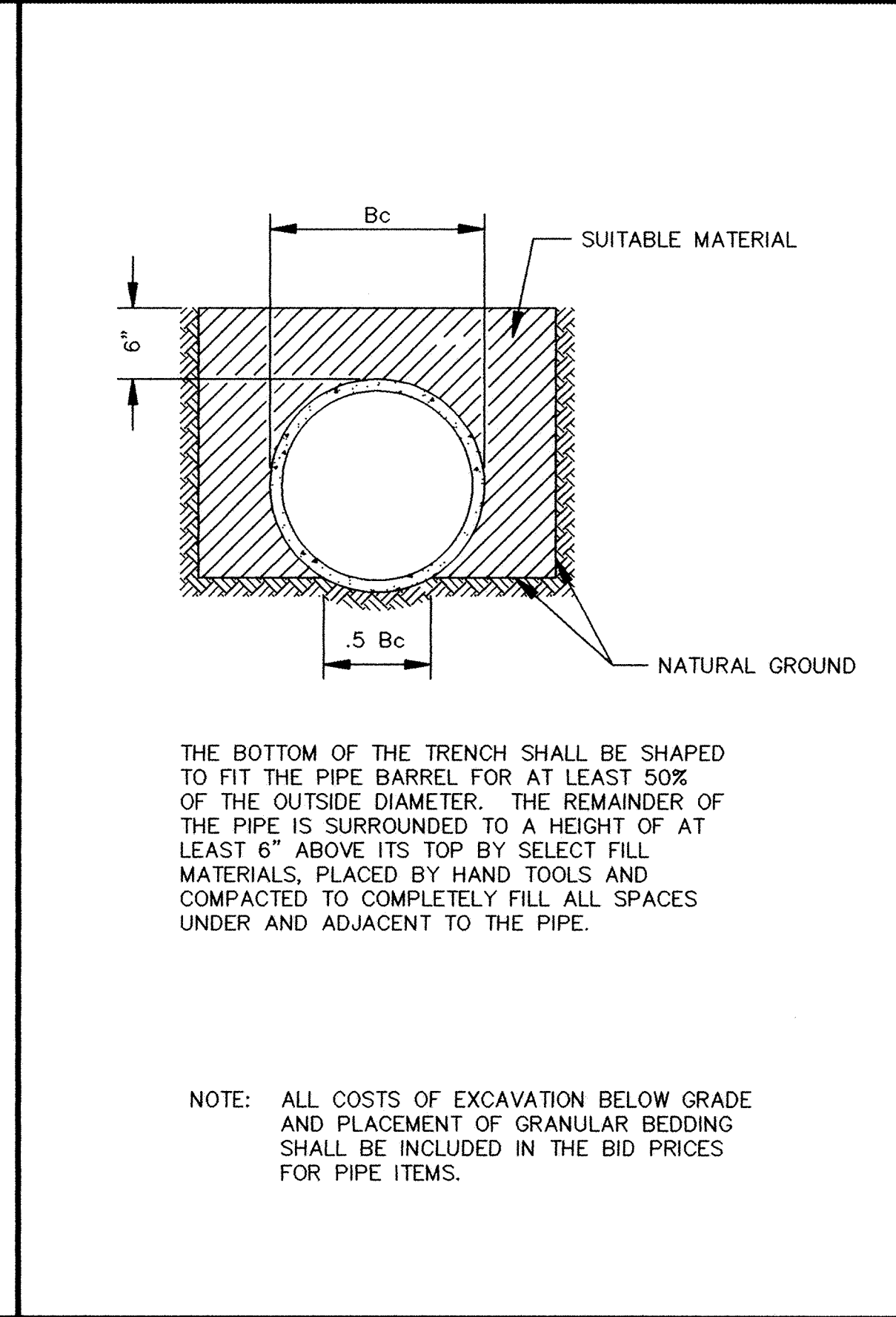
- NOTE:**
- 16" BREAKOFF SECTION
 - LEFT HAND OPERATING NUT (1 1/2" POINT TO FLAT)
 - PAIN BARREL SECTION RED TO GRADE.
 - DO NOT PLUG DRAIN HOLES.
- NOTE:**
- CONCRETE THRUST BLOCKING TO BE POURED AGAINST UNDISTURBED EARTH.
 - KEEP CONCRETE CLEAR OF JOINT AND ACCESSORIES.
 - IF NOT SHOWN ON PLANS, REQUIRED BEARING AREAS AT FITTING SHALL BE AS INDICATED ABOVE, ADJUSTED IF NECESSARY, TO CONFORM TO THE TEST PRESSURE(S) AND ALLOWABLE SOIL BEARING STRESS(ES).
 - BEARING AREAS AND SPECIAL BLOCKING DETAILS SHOWN ON PLANS TAKE PRECEDENCE OVER BEARING AREAS AND BLOCKING DETAILS SHOWN IN THIS STANDARD DETAIL.
 - ABOVE BEARING AREAS BASED ON TEST PRESSURE OF 150 P.S.I. AND AN ALLOWABLE SOIL BEARING STRESS OF 2000 POUNDS PER SQUARE FOOT. TO COMPUTE BEARING AREAS FOR DIFFERENT TEST PRESSURES AND SOIL BEARING STRESSES, USE THE FOLLOWING EQUATION: BEARING AREA = (TEST PRESSURE/150) X (2000/SOIL BEARING STRESS) X (TABLE VALUE).



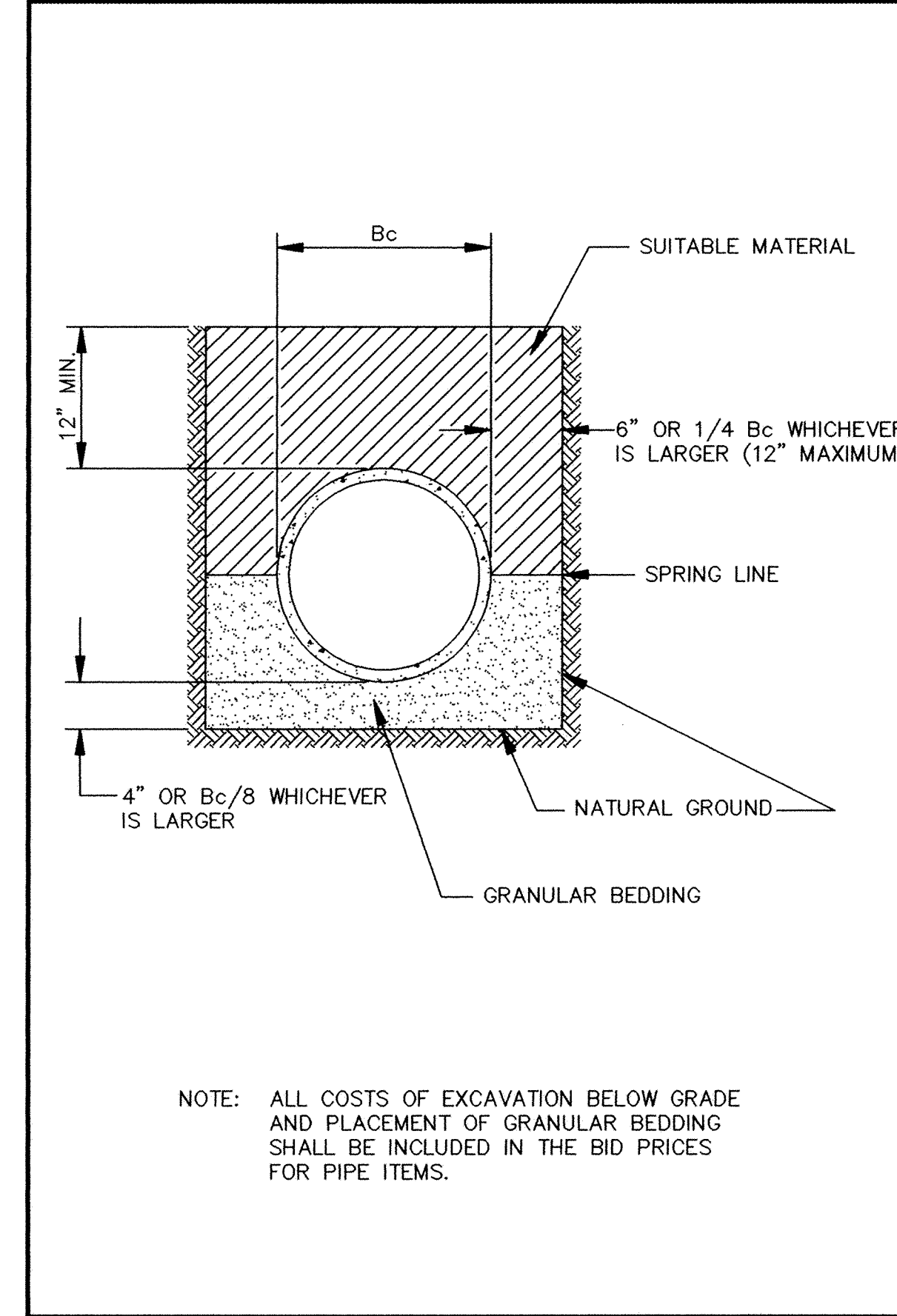
PACER HYDRANT DETAIL



TYPICAL WATER LAYOUT

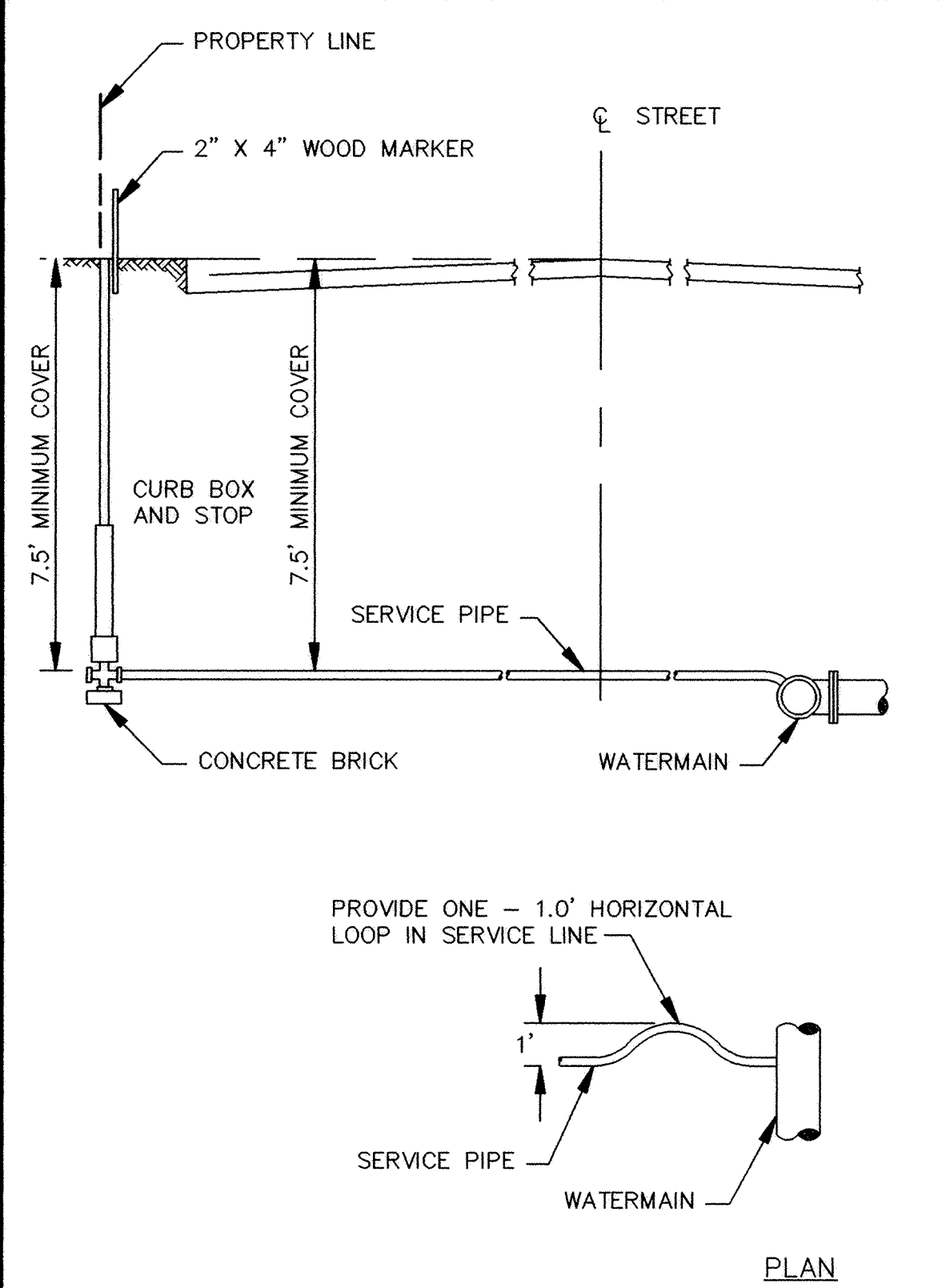


CLASS C PIPE BEDDING

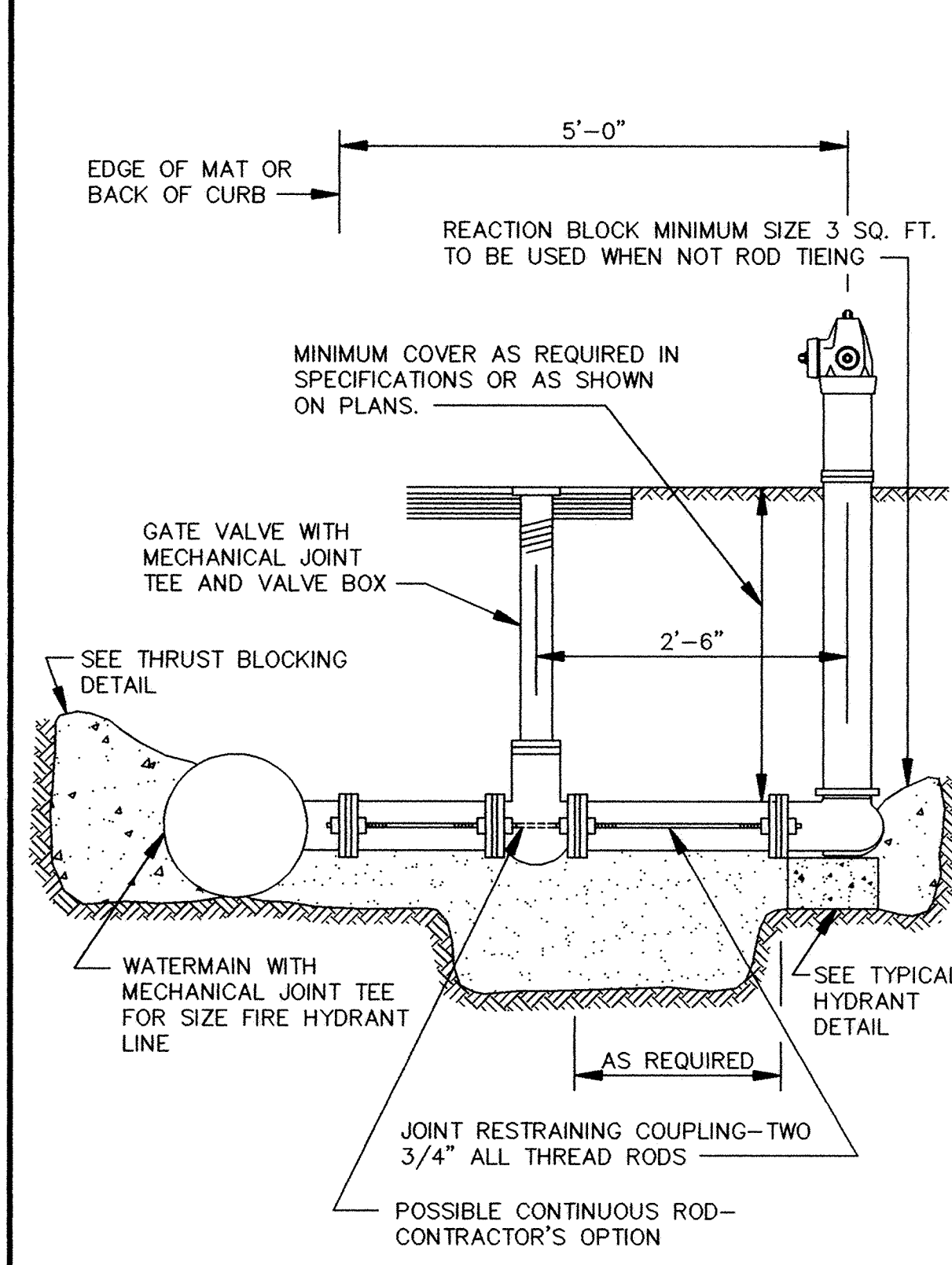


CLASS B PIPE BEDDING

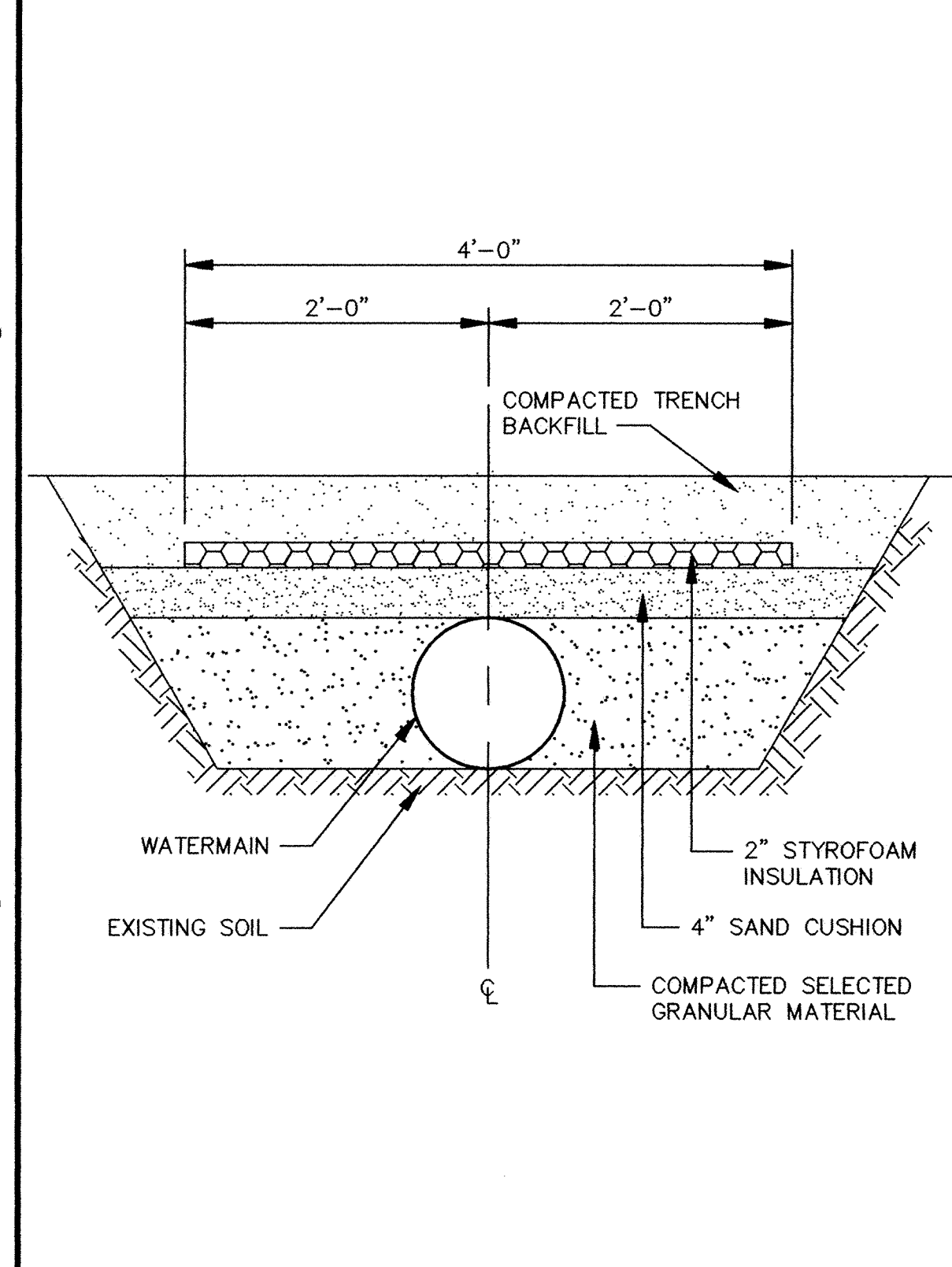
THRUST BLOCKING DETAIL



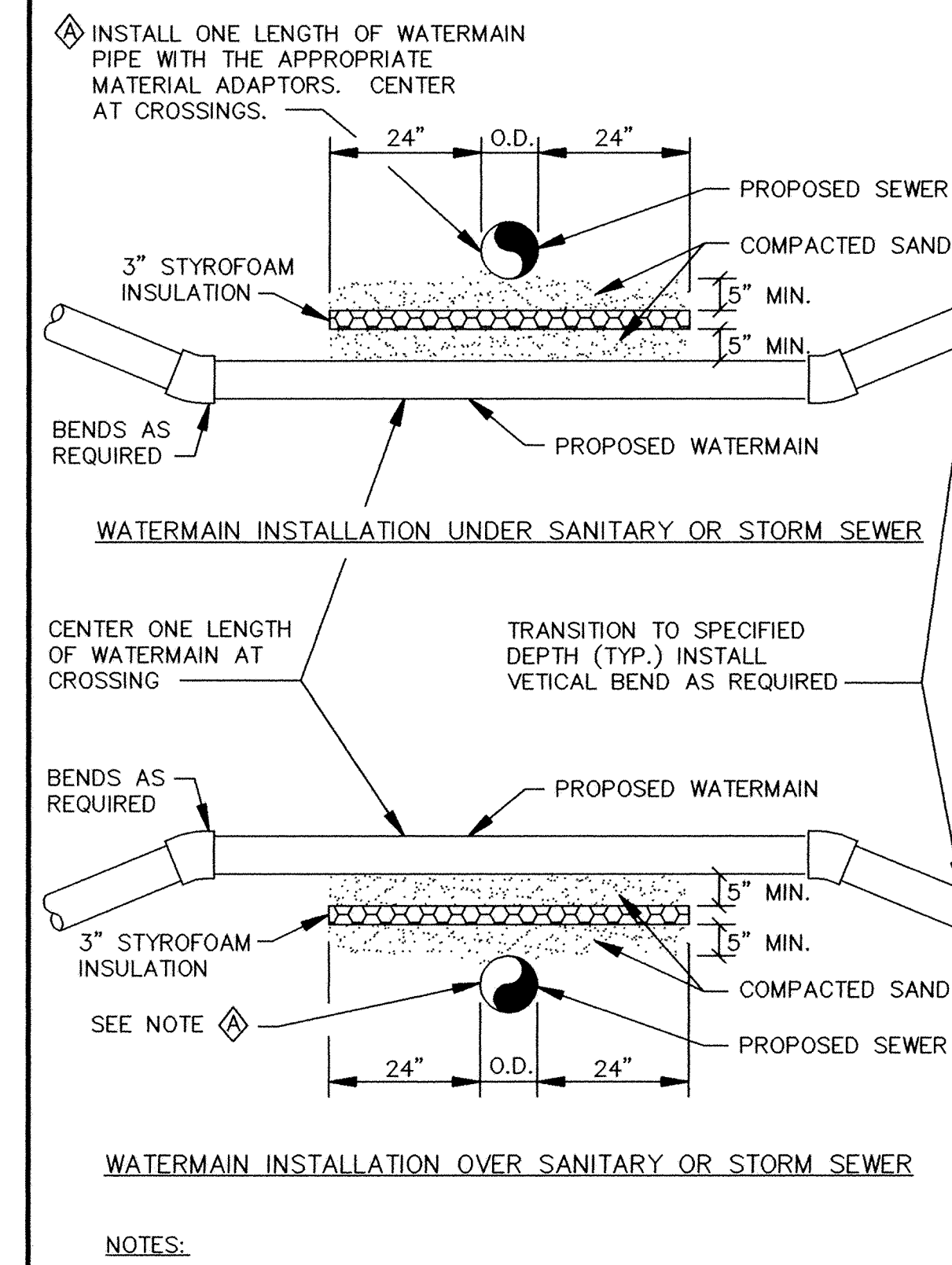
TYPICAL SERVICE DETAIL



RODDING DETAIL



PIPE INSULATION DETAIL



WATERMAIN CROSSING

RECORD PLAN
JUNE 1994

I HEREBY CERTIFY THAT THIS PLAN, SPECIFICATION, OR REPORT WAS PREPARED BY ME OR UNDER MY DIRECT SUPERVISION AND THAT I AM A DULY REGISTERED PROFESSIONAL ENGINEER UNDER THE LAWS OF THE STATE OF MINNESOTA.

DATE _____ REG. NO. _____

Maier Stewart & Associates Inc.
CONSULTING ENGINEERS
1959 SLOAN PLACE (612) 774-6021 ST. PAUL, MINNESOTA 55117
9800 SHELARD PARKWAY (612) 546-0432 MINNEAPOLIS, MINNESOTA 55441

DATE	DESCRIPTION	DESIGNED	CHECKED	DRAWN

GRAPHIC SCALE
0 HORIZ. 2
0 VERT. N/A

CITY OF ELK RIVER
HWY. 10 LIFT STATION
WATERMAIN DETAILS

DATE AUG 1993 SHEET 13 OF 20 SHEETS PROJECT NO. 230-178