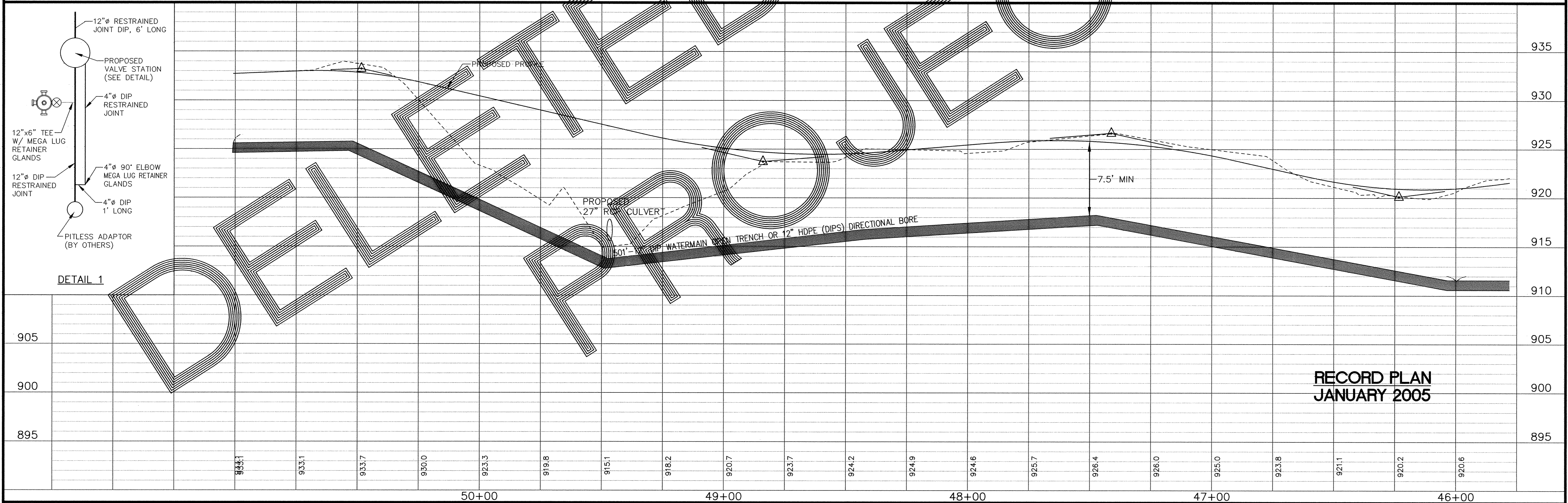
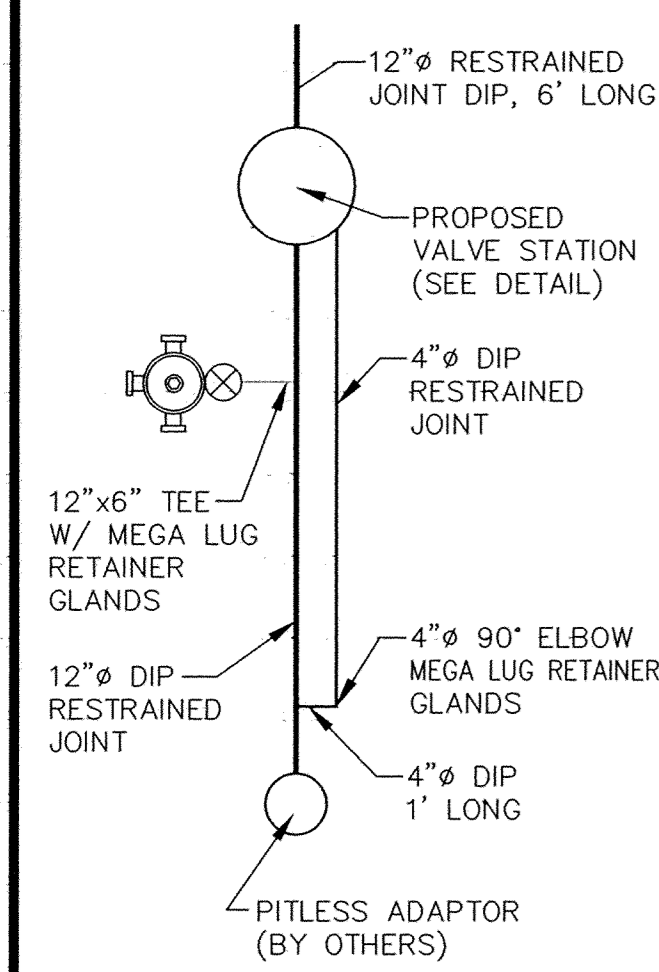
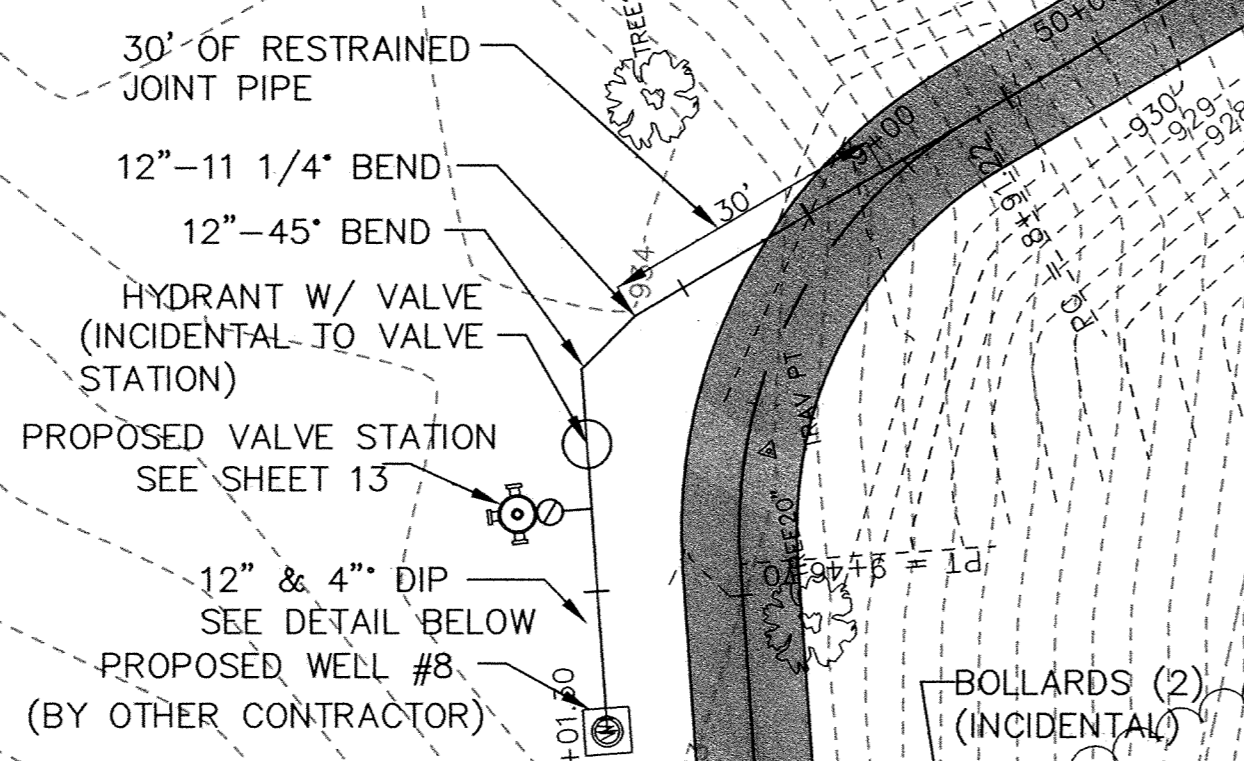
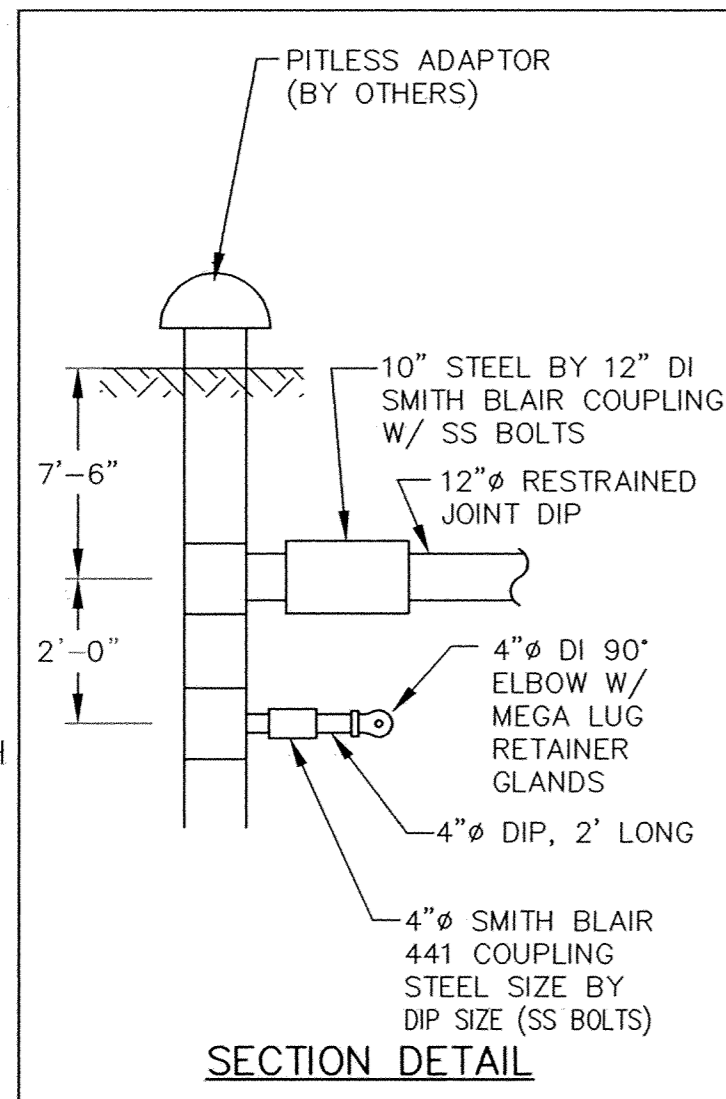


- NOTES:
1. ALL DISTURBED AREAS OF GRAVEL D/W'S WILL BE REPLACED WITH A MINIMUM OF 6" OF NEW GRAVEL. (INCIDENTAL)
 2. MAIL SERVICE MUST BE MAINTAINED AT ALL TIMES. ALL MAILBOXES SHALL BE PROTECTED OR SALVAGED & REPLACED AS DIRECTED BY ENGINEER IN THE FIELD. (INCIDENTAL)
 3. CONTRACTOR TO COORDINATE HOLDING OF POWER POLES OR RELOCATION WITH POWER COMPANY.
 4. ANY EXISTING SANITARY SEWER, STORM SEWER OR WATERMAIN DAMAGED SHALL BE REPLACED TO THE SATISFACTION OF THE ENGINEER IN THE FIELD AT NO COST TO OWNER.
 5. A TRACER WIRE RISER SHALL BE INSTALLED EVERY 600 FEET IN ACCORDANCE WITH THE DETAILS ON SHEET 13.
 6. THE TRACER WIRE SHALL BE CONNECTED TO THE DIP WITH AN APPROVED METHOD (SUCH AS CAD WELDING).
 7. ALL PLAN SHEET NOTES ARE FOR INFORMATION ONLY. UNLESS SPECIFIED THE CONTRACTOR HAS THE OPTION OF INSTALLING THE WATERMAIN BY DIRECTIONAL BORING OR OPEN TRENCH METHOD. ALL DISTURBED AREAS SHALL BE REPLACED IN KIND AND SHALL BE INCIDENTAL TO THE WATERMAIN.



RECORD PLAN
JANUARY 2005

DESIGNED BY: KJT DRAWN BY: RKM
 APPROVED BY: _____ JOB NUMBER: 820850J
 CAD DATE: January 11, 2005 8:01:13 a.m.
 820850J\As-Built\C\CT-D10.DWG (JCUNNIN)

I HEREBY CERTIFY THAT THIS PLAN, SPECIFICATION, OR REPORT WAS PREPARED BY ME OR UNDER MY DIRECT SUPERVISION AND THAT I AM A DULY LICENSED PROFESSIONAL ENGINEER UNDER THE LAWS OF THE STATE OF MINNESOTA.
 SIGNATURE: *John Anderson* DATE: 2/2/05
 PRINTED NAME: JOHN ANDERSON LIC. NO.: 25889

NO.	DATE	BY	REVISION DESCRIPTION

1326 ENERGY PARK DRIVE
 ST. PAUL, MINNESOTA 55108
 (651) 644-4389

 Howard R. Green Company

ELK RIVER MUNICIPAL UTILITIES

PLAN AND PROFILE
 2003 RAW WATERMAIN IMPROVEMENTS
 STA. 46+00 TO 50+83.39

SHEET NO.
12