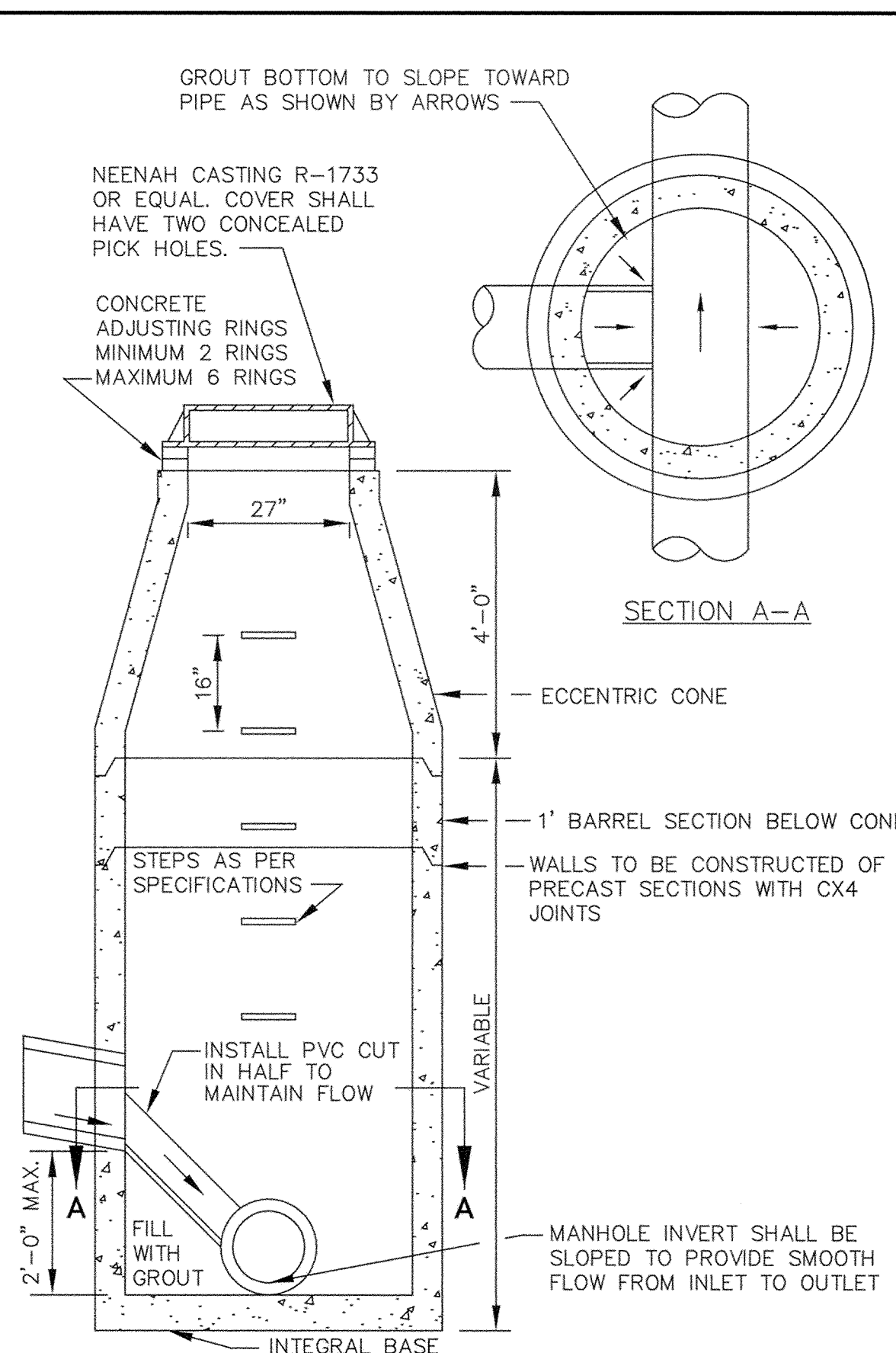
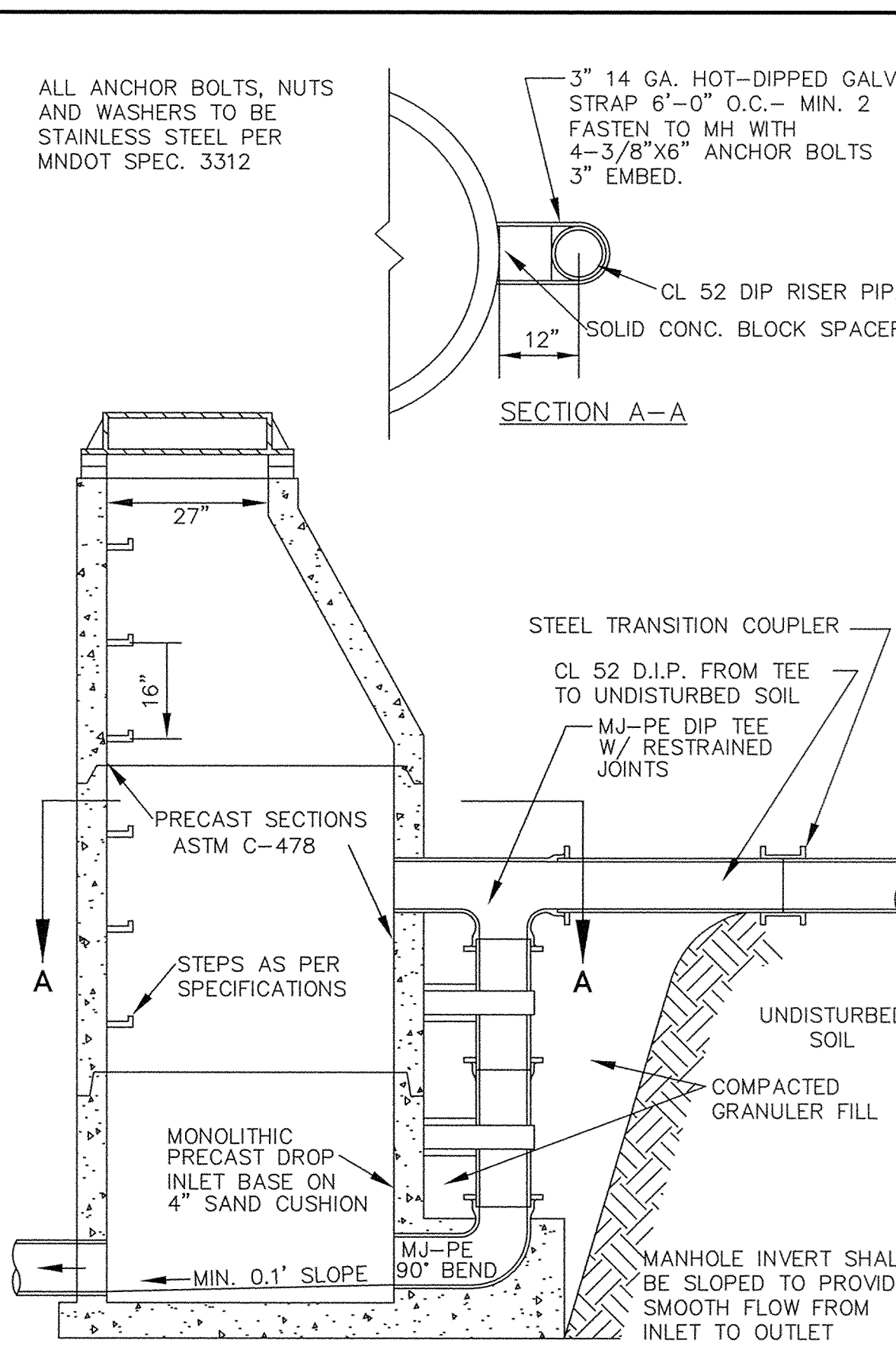


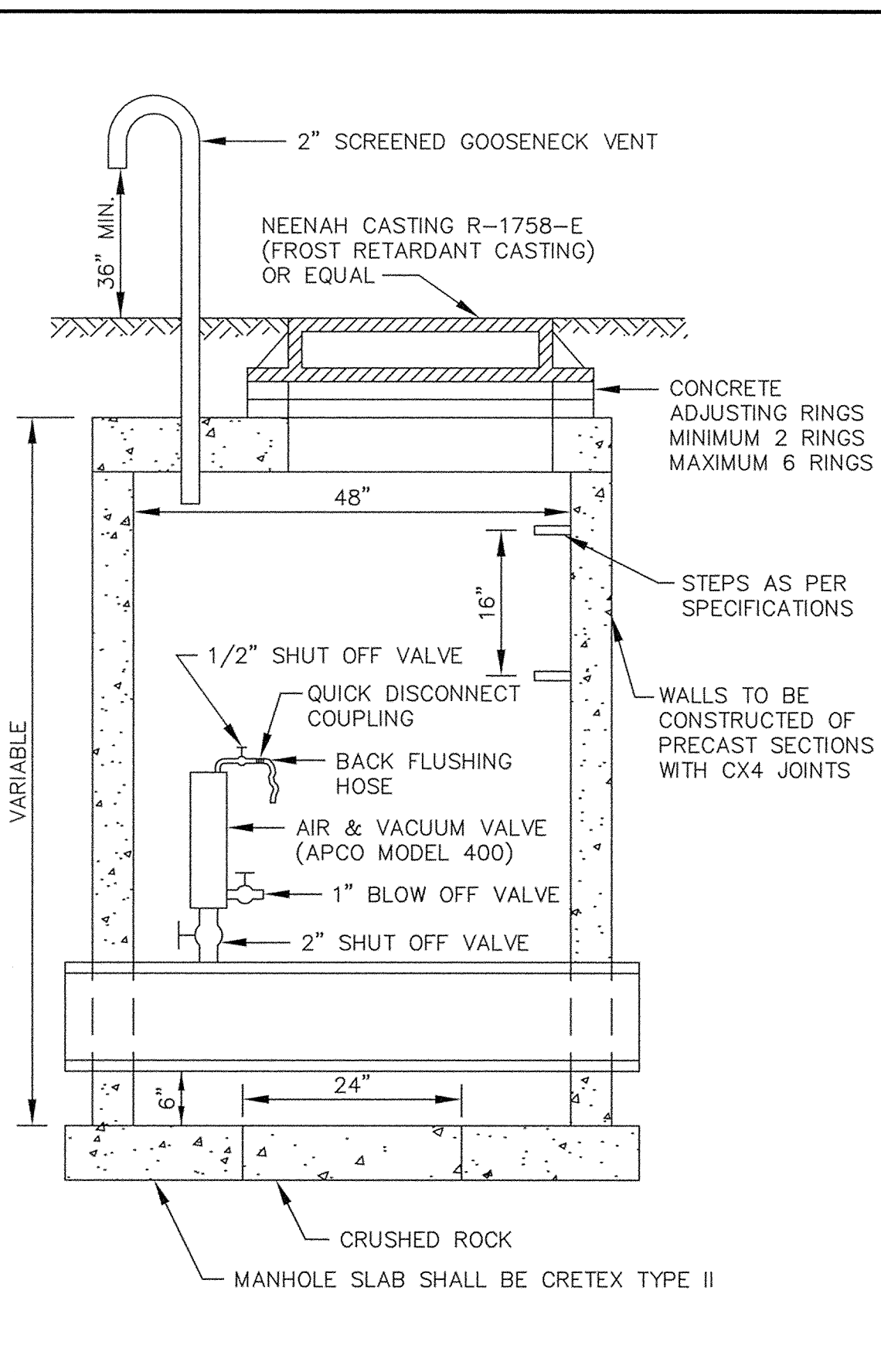
SLAB TOP MANHOLE



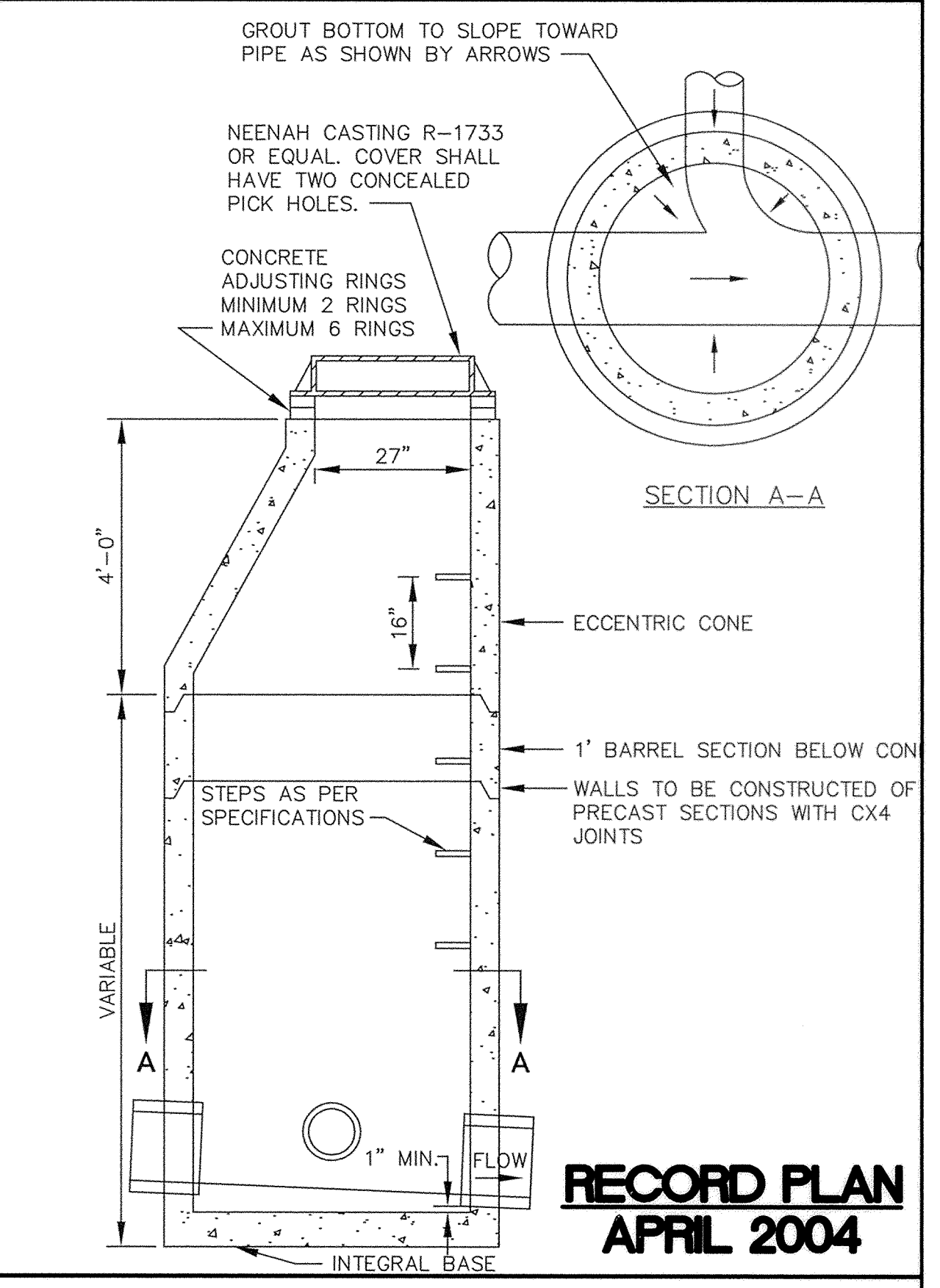
INSIDE DROP MANHOLE (TWO FEET OR LESS)



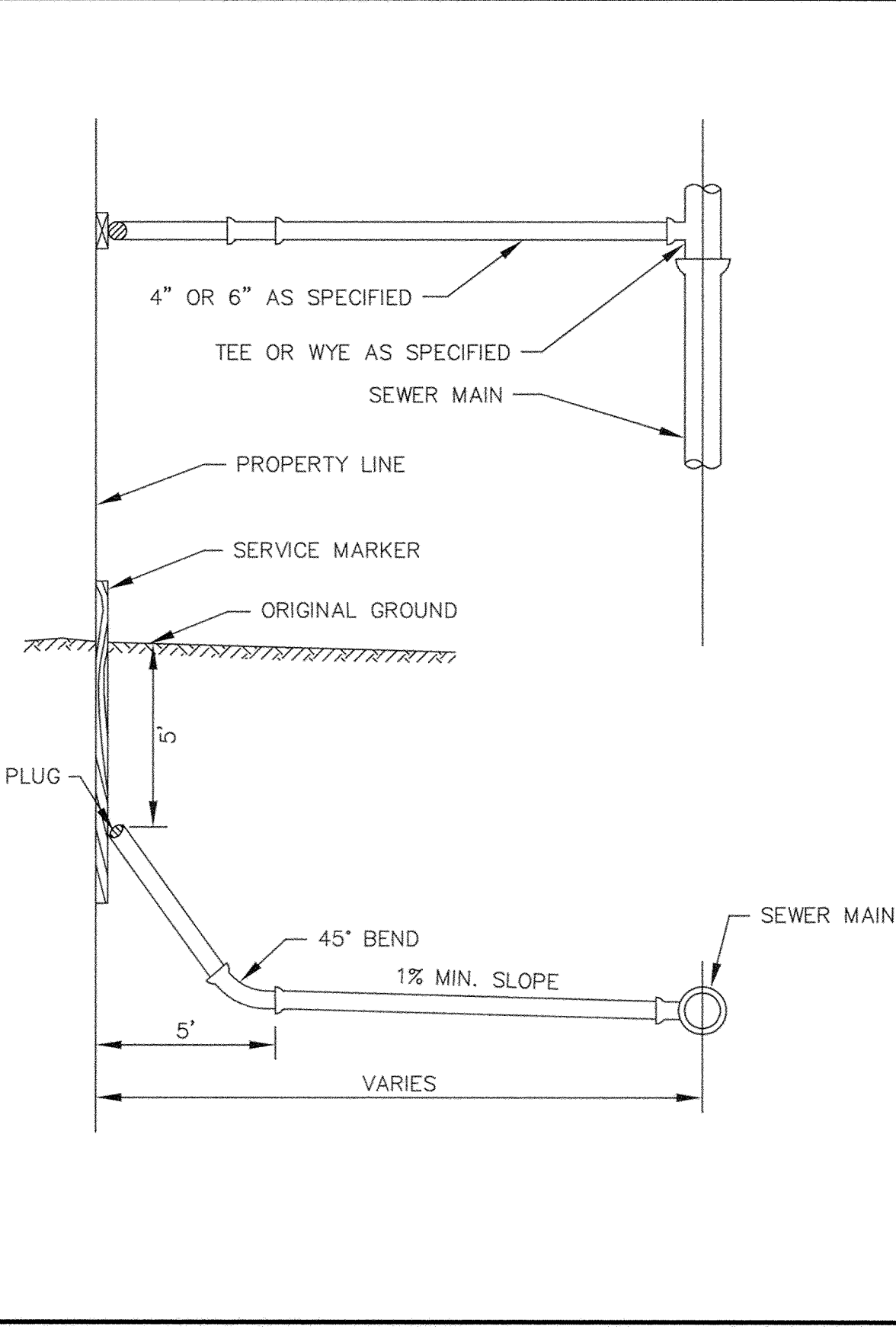
OUTSIDE DROP MANHOLE



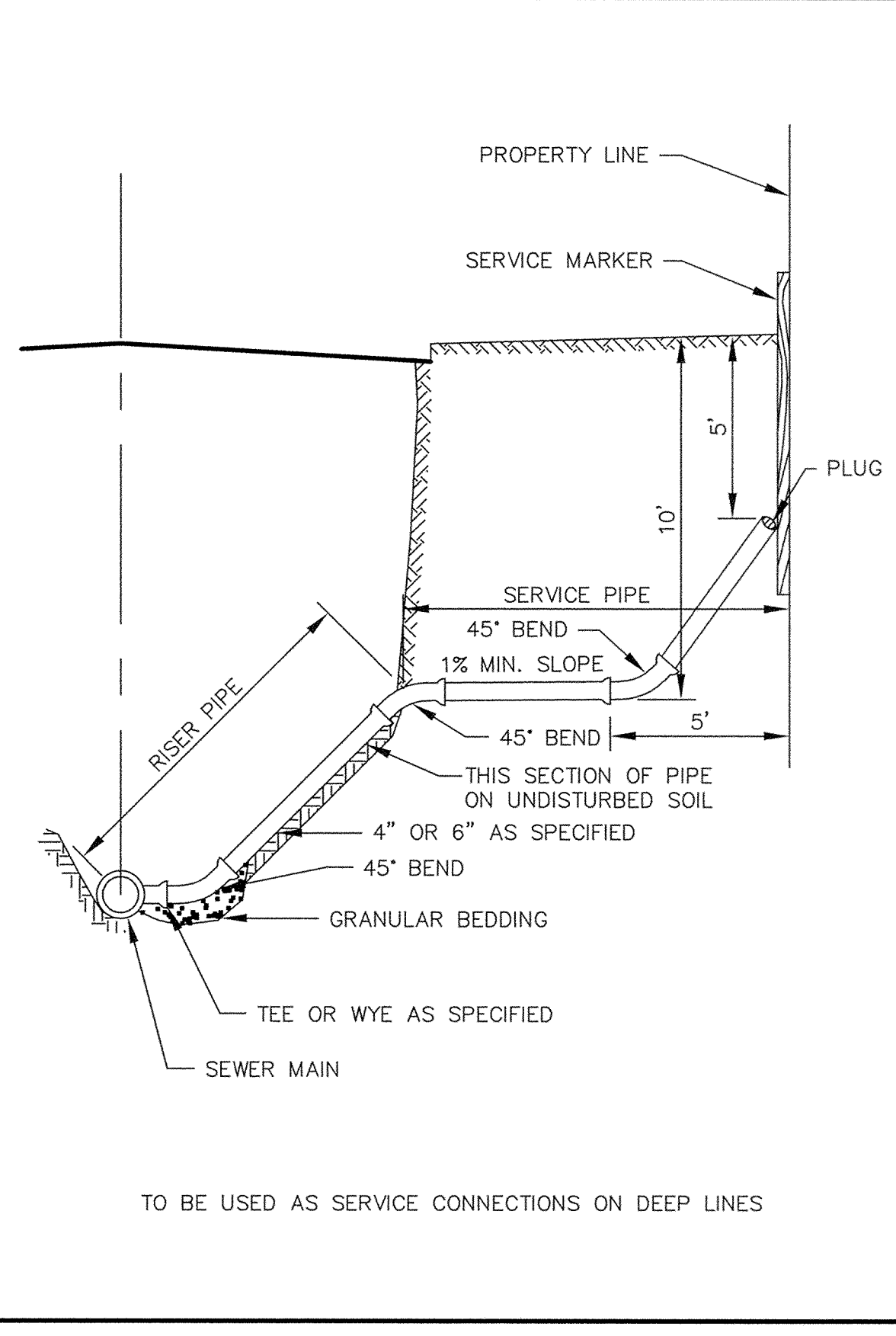
STANDARD AIR RELIEF MANHOLE



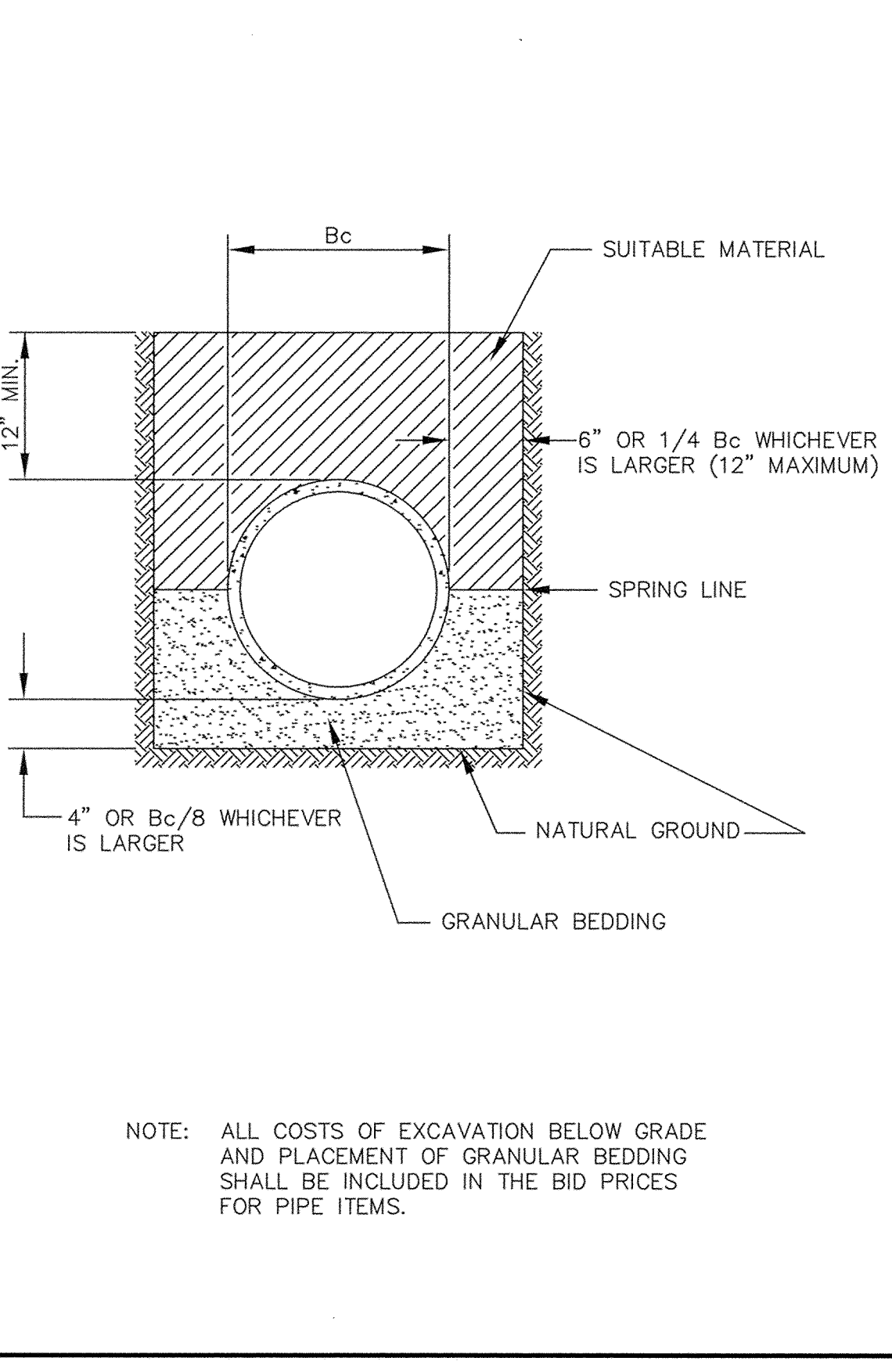
STANDARD MANHOLE



TYPICAL HOUSE SERVICE



SERVICE RISER SECTION



CLASS B PIPE BEDDING

RECORD PLAN  
APRIL 2004

DESIGNED BY: DESIGNED BY DRAWN BY: RKM  
APPROVED BY: APPROVED BY JOB NUMBER 818980J  
CAD DATE: March 31, 2004 7:44:51 a.m.  
CAD FILE: 818980J\As-built\C\818980J-D1.DWG (TEL GAR)

I HEREBY CERTIFY THAT THIS PLAN, SPECIFICATION, OR REPORT WAS PREPARED BY ME OR UNDER MY DIRECT SUPERVISION AND THAT I AM A DULY LICENSED PROFESSIONAL ENGINEER UNDER THE LAWS OF THE STATE OF MINNESOTA.  
SIGNATURE \_\_\_\_\_ DATE \_\_\_\_\_  
PRINTED NAME KRISTINA J THOMPSON LIC. NO. 42350

NO.	DATE	BY	REVISION DESCRIPTION

1326 ENERGY PARK DRIVE  
ST. PAUL, MINNESOTA 55108  
(651) 644-4389  
**Howard R. Green Company**

2003 STREET IMPROVEMENTS  
CITY OF ELK RIVER

SANITARY SEWER DETAILS

SHEET NO.  
**42**