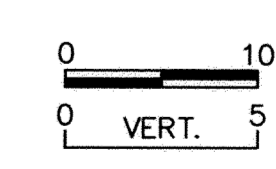
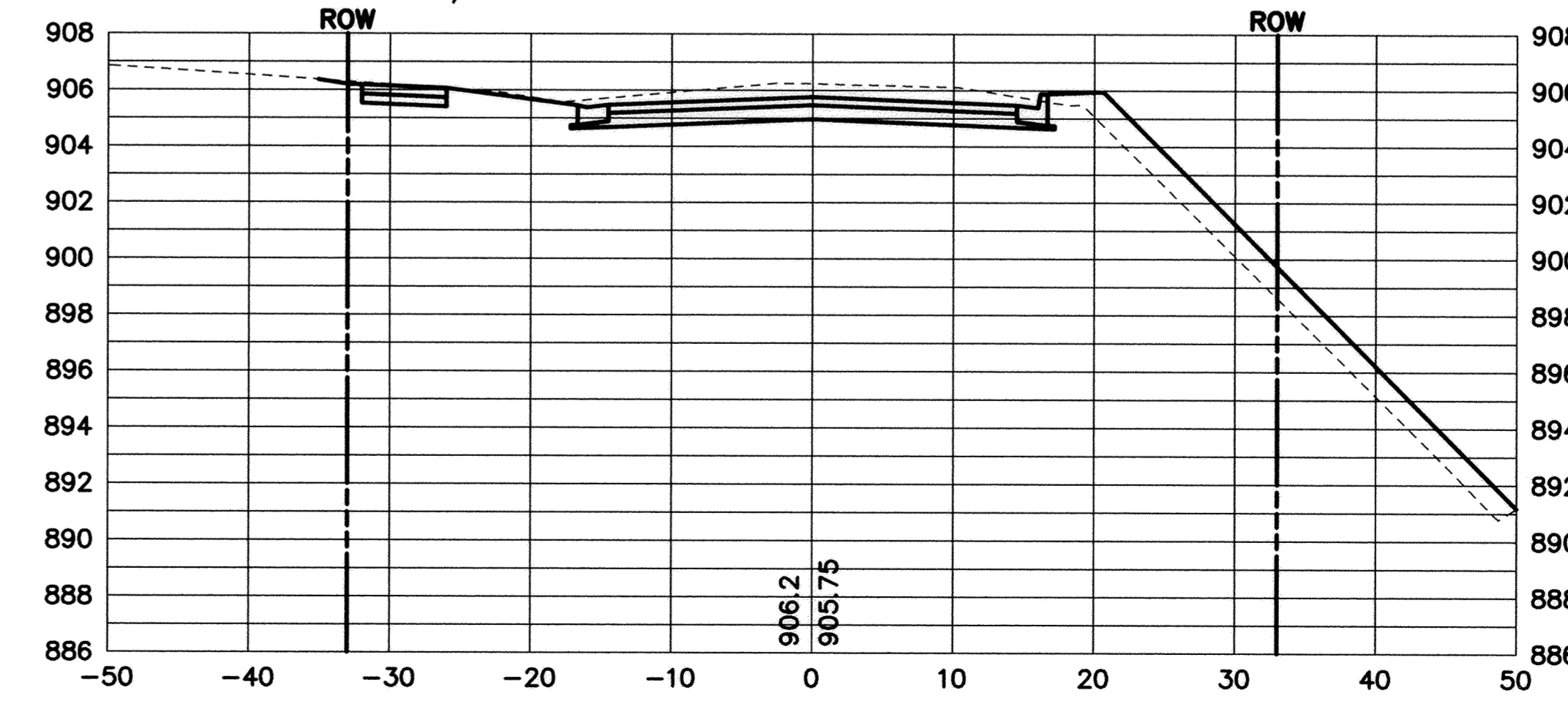
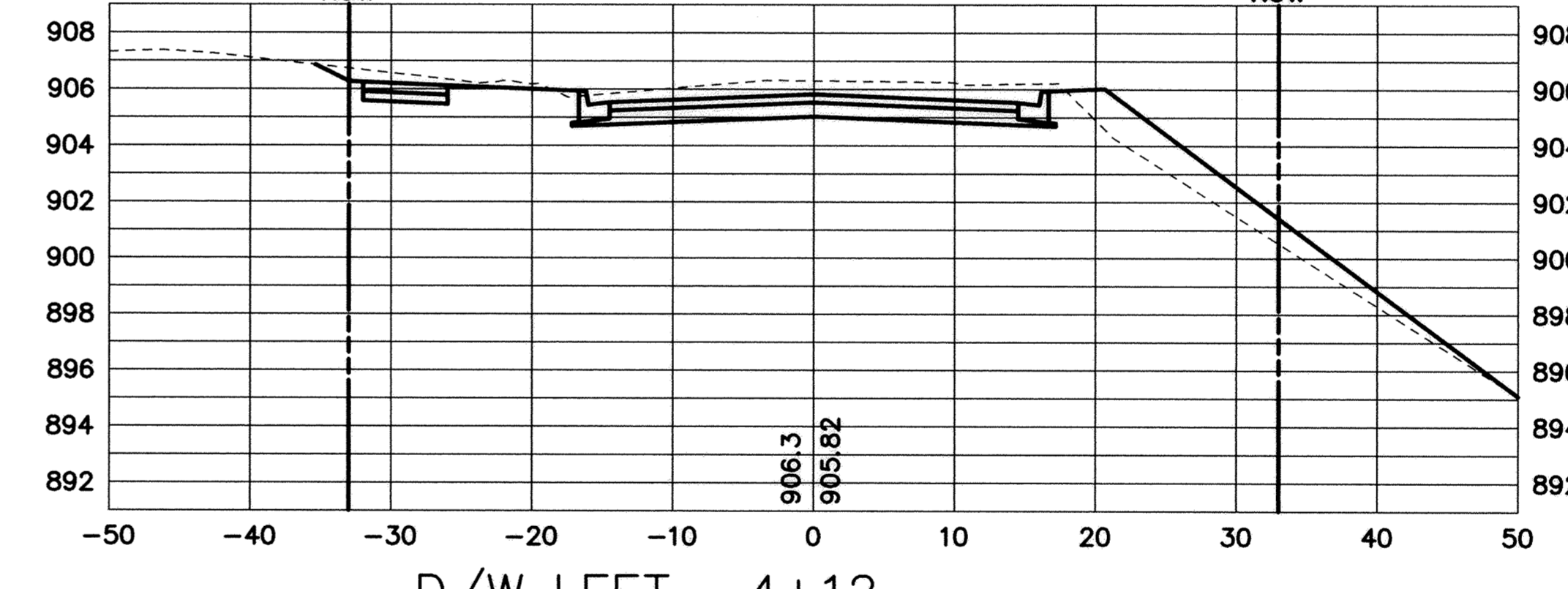
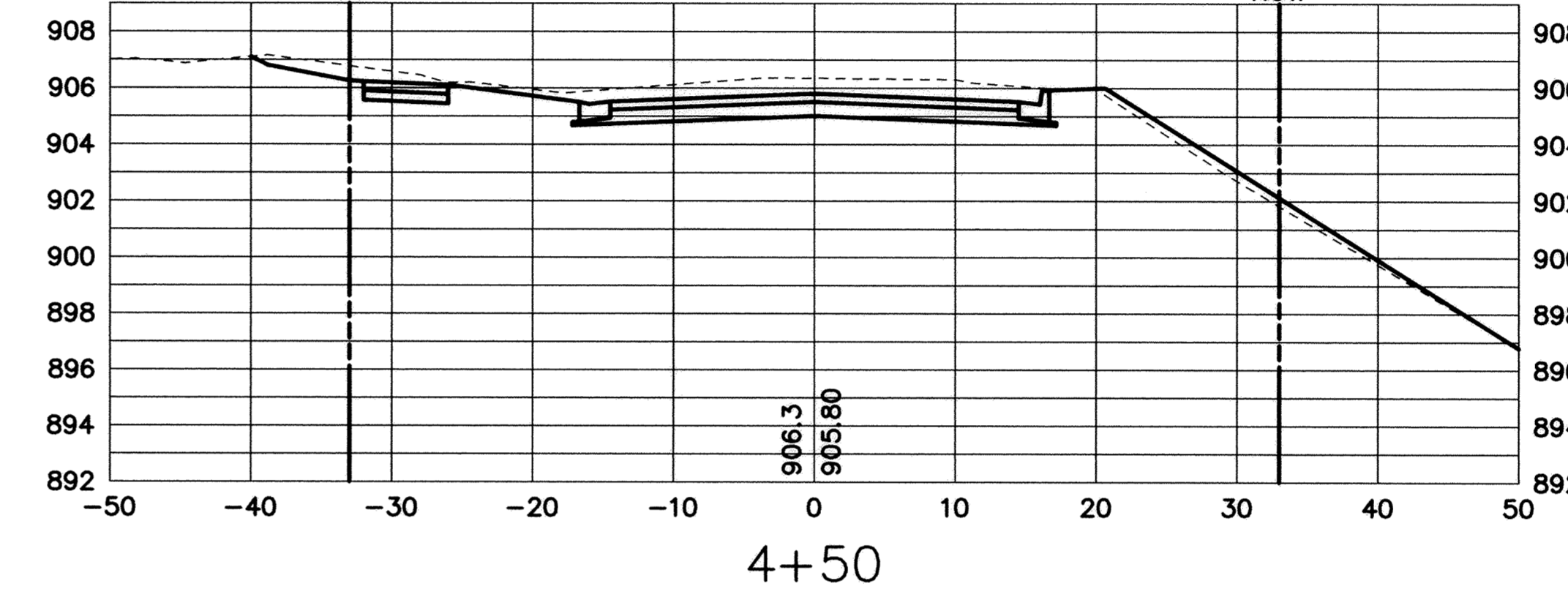
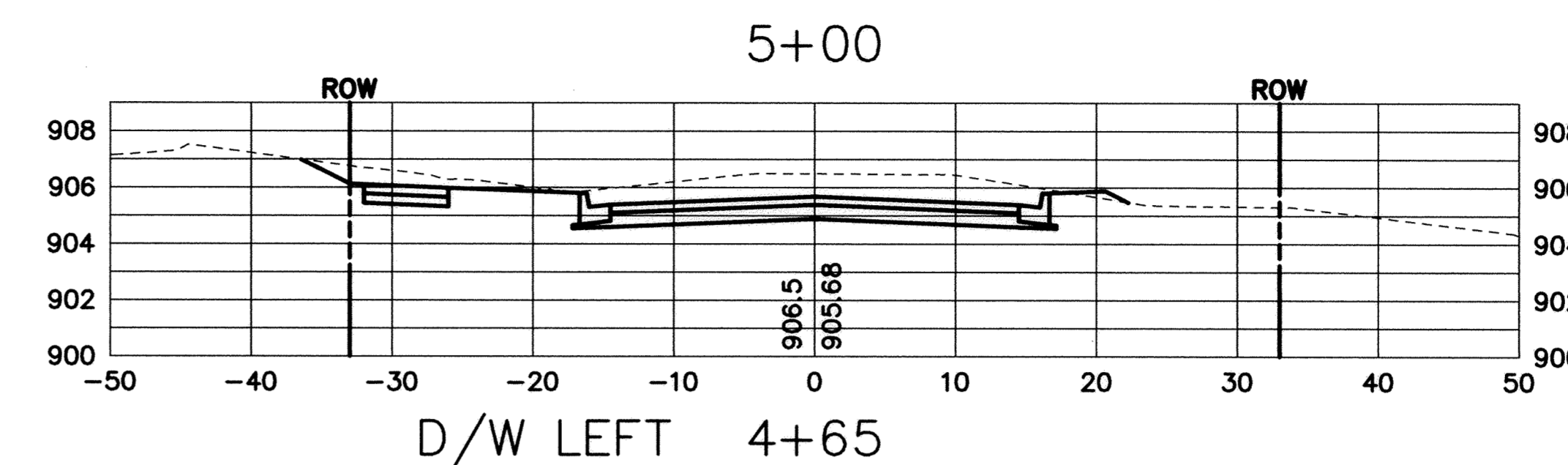
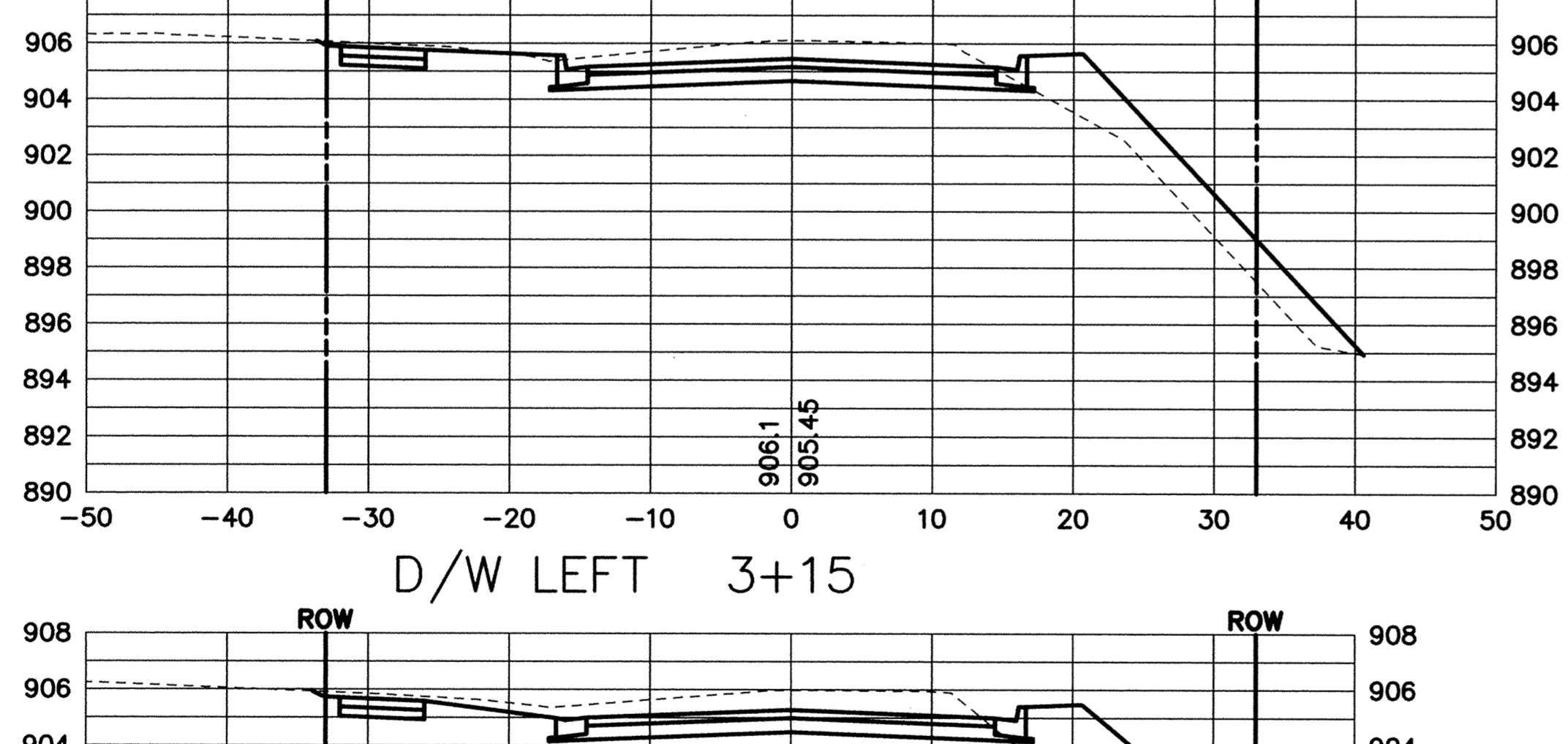
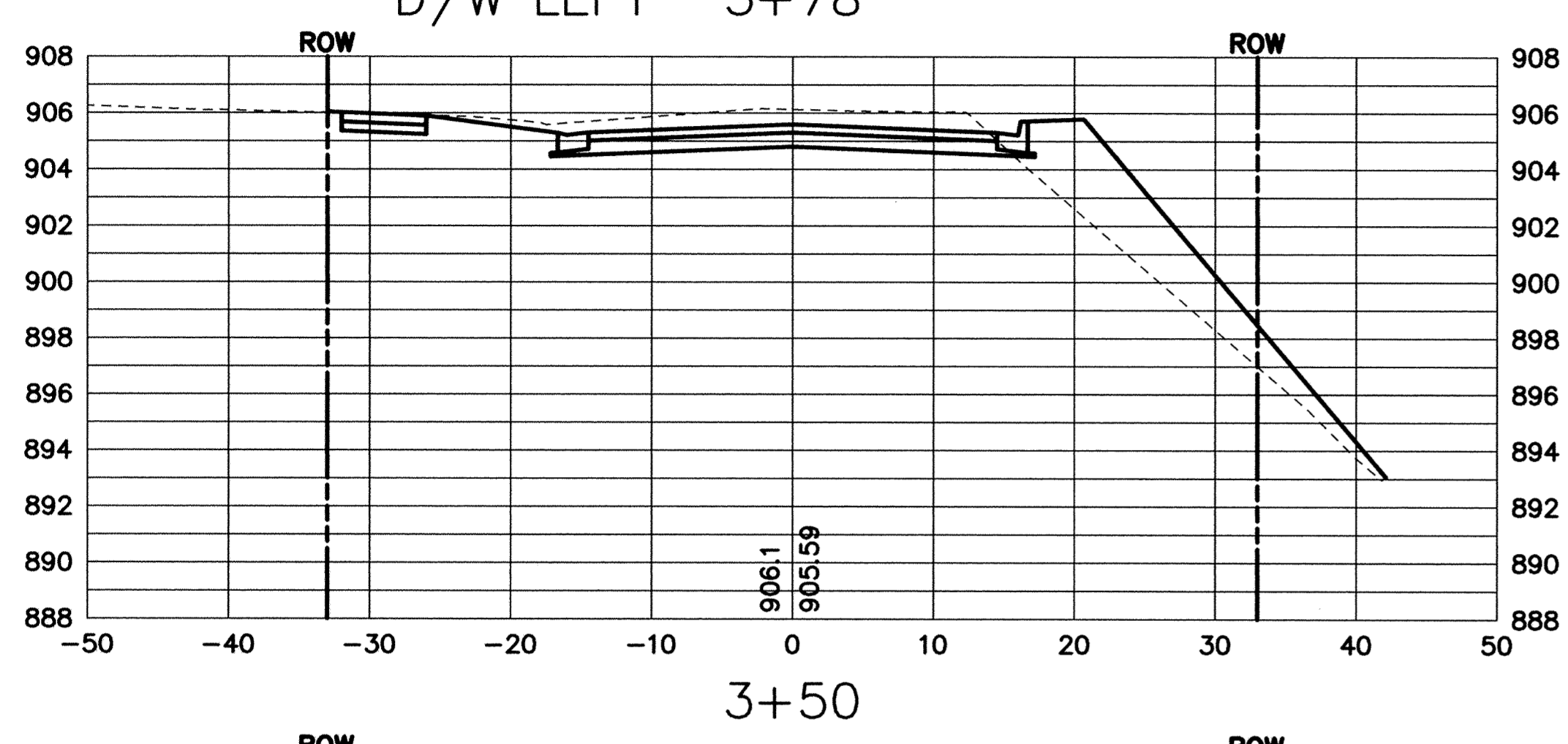
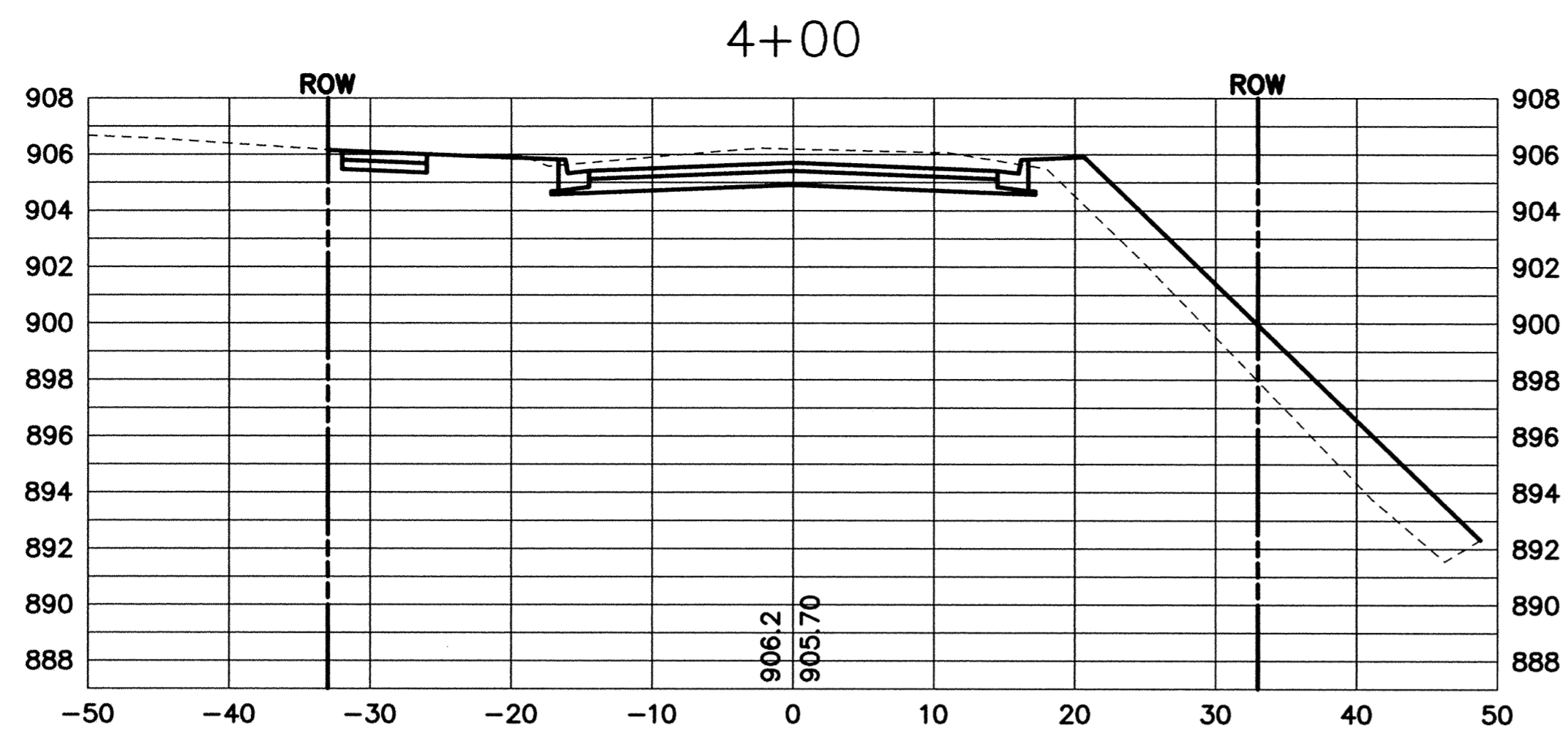


SAFCO PRODUCTS • NEW HOPE, MINNESOTA
REGISTERED BY PATENT NUMBER 6552
PROFESSIONAL ENGINEER OR ARCHITECT STATE LICENSE



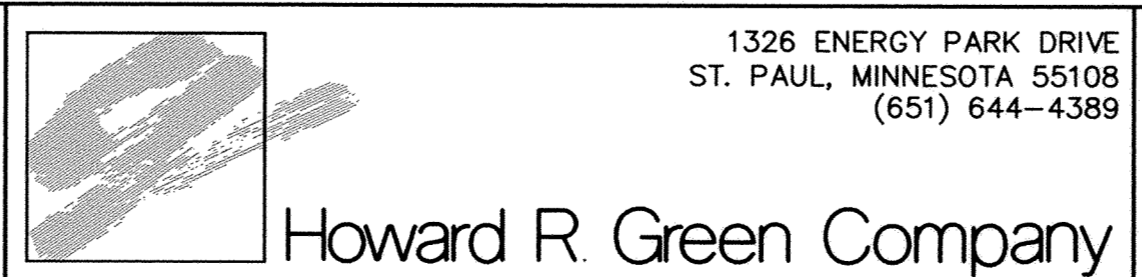
RECORD PLAN
APRIL 2004

DESIGNED BY: DESIGNED BY DRAWN BY: RKM
 APPROVED BY: APPROVED BY JOB NUMBER 818980J
 CAD DATE: April 14, 2003 11:11:58 a.m.
 CAD FILE: 818980J\Draw\C\CT-X11.DWG (RMONJEA)

I HEREBY CERTIFY THAT THIS PLAN, SPECIFICATION, OR REPORT WAS PREPARED BY ME OR UNDER MY DIRECT SUPERVISION AND THAT I AM A DULY LICENSED PROFESSIONAL ENGINEER UNDER THE LAWS OF THE STATE OF MINNESOTA.

SIGNATURE _____ DATE _____
 PRINTED NAME KRISTINA J THOMPSON LIC. NO. 42350

NO.	DATE	BY	REVISION DESCRIPTION



1326 ENERGY PARK DRIVE
 ST. PAUL, MINNESOTA 55108
 (651) 644-4389

2003 STREET IMPROVEMENTS
 CITY OF ELK RIVER

CROSS SECTIONS
 NORFOLK AVENUE

3+15 TO 5+00

SHEET NO.
35